

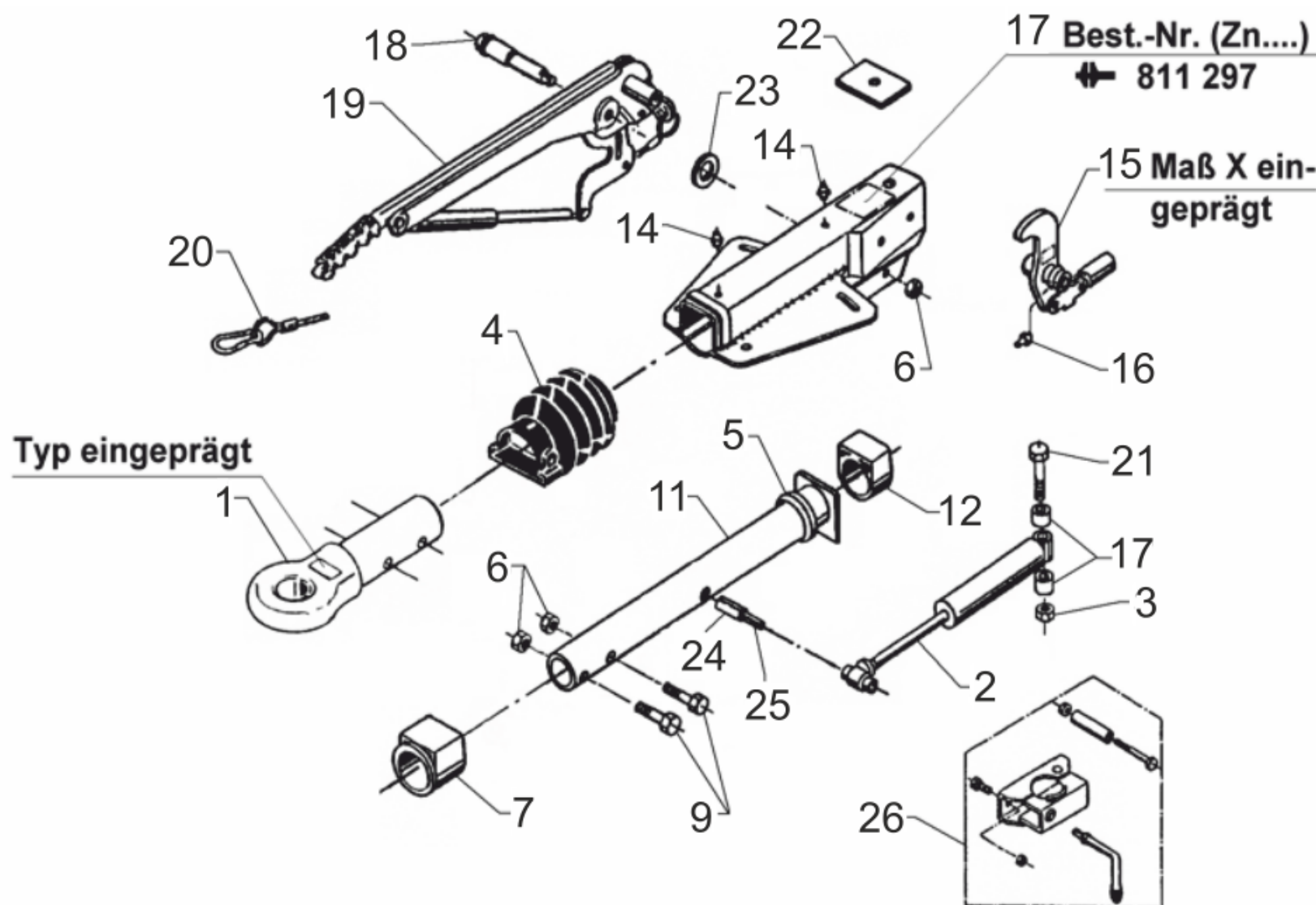
811297

Inhaltsverzeichnis

Overrun device V 250S/1 (811297)

3

Overrun device V 250S/1 (811297)



Overrun device V 250S/1 (811297)

Item no.	Article no.	Description	Quantity	Unit	Remark
1	ETK0016	Drawbar eye	1	PC	Purchase order by the type without fixing material.
2	690209	Shock absorber 250S/1	1	PC	
3	705605	hexnut M14 DIN 980-V-8	1	PC	For safety reasons: Self locking nuts and screws with chemical self locking must be used once. After untighten always use a new part.
4	607133	Bellows SAFETY-packed	1	PC	
5	371372	Damping rubber	1	PC	
6	705389	hexnut M12 DIN 980-V-8	2	PC	For safety reasons: Self locking nuts and screws with chemical self locking must be used once. After untighten always use a new part.
7	353943	Flanged bush	1	PC	Attention: After fitting the bearing bushes must be reamed to the particular draw bar diameter
9	705545	Hexagon screw M12x60 DIN 931 8.8	1	PC	
10	ETK0002	Housing	1	PC	At the time of order see graved drawing-no.
11	571714	Draw tube welded	1	PC	

OD= overrun device, please specify the ETI- number when ordering

Overrun device V 250S/1 (811297)

Item no.	Article no.	Description	Quantity	Unit	Remark
12	353942	Plain bearing bush	1	PC	Attention: After fitting the bearing bushes must be reamed to the particular draw bar diameter
14	2171710001	Conical grease nipple AS 8x1 DIN 71412	1	PC	
15	690215	Deflection lever cpl. iH=100:28	1	PC	
16	700203	Conical grease nipple AS 6x1 DIN 71412	1	PC	
17	581553	Bush	1	PC	
18	581145	Bearing screw M12x100 Ø19	1	PC	
19	220096	Hand brake lever incl. brake away cable 161S-251S-161R	1	PC	Incl. gas spring, brake away cable and brake away ring
20	368605	Breakaway cable 950 mm length	1	PC	
21	705437	Hexagon screw M14x90 DIN 931 8.8	1	PC	
22	581698	End stop plate	1	PC	
23	370693	Washer Ø19x34x3	1	PC	
24	703078	snap hook 14x50 DIN 1481 A3C	1	PC	
25	703079	Pan head tapping screw ST4,2X32 -C-H DIN 7981 A3C	1	PC	
26	293020	Jockey wheel clamp for tube Ø48 161/251	1	PC	Retrofit kit can optionally be attached