

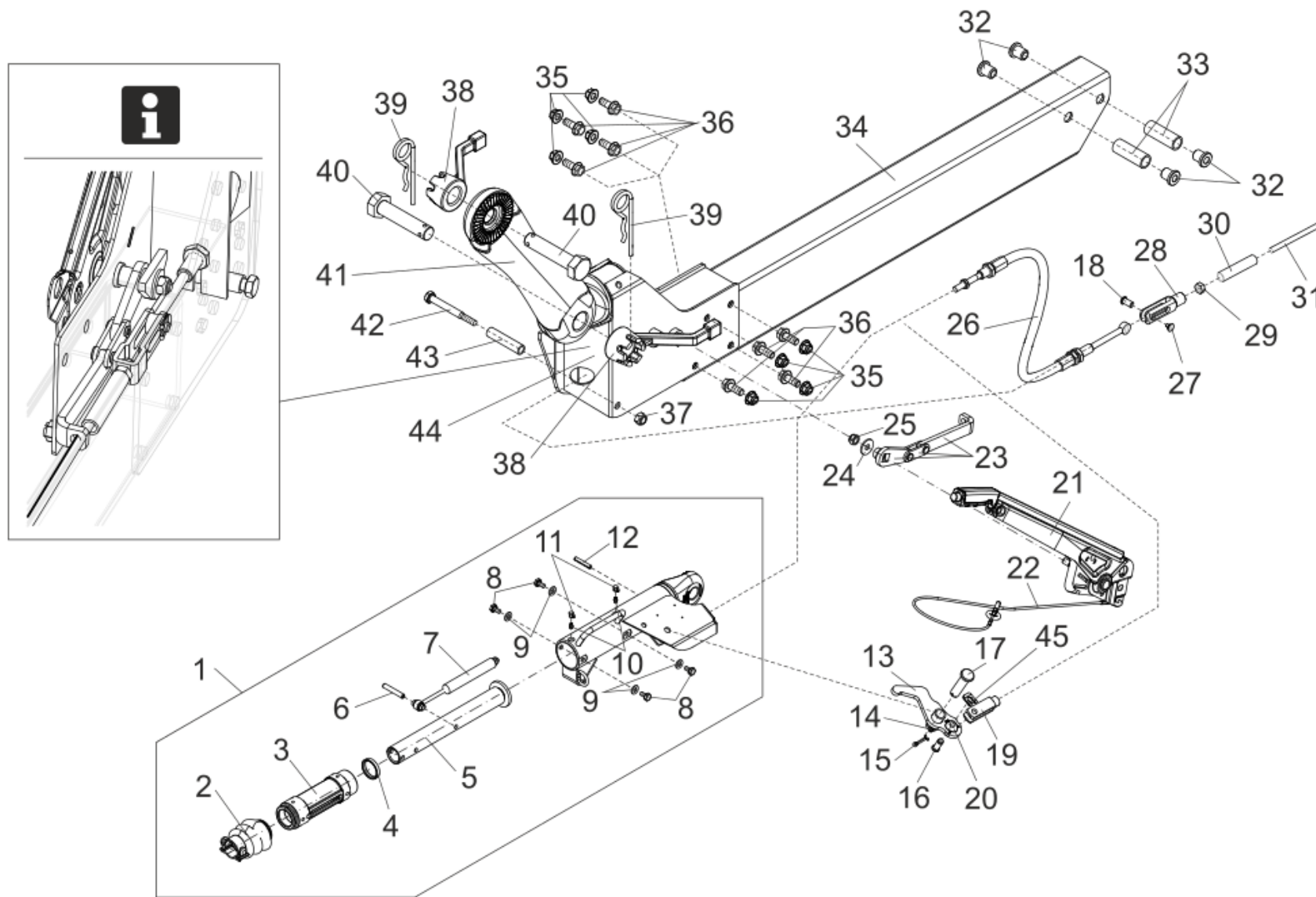
811923

Inhaltsverzeichnis

Overrun device 160VB BASIC with handle (811923)

3

Overrun device 160VB BASIC with handle (811923)



Overrun device 160VB BASIC with handle (811923)

Item no.	Article no.	Description	Quantity	Unit	Remark
1	1809993	Overrun device 160VB BASIC with handle	1	PC	Surface coating: electrolytically galvanised
1	1809994	Overrun device 160VB BASIC with handle	1	PC	Surface coating: black primed
2	366356	Bellows	1	PC	
3	1376762	Bearing cartridge	1	PC	
4	371372	Damping rubber	1	PC	
5	694938	Draw tube welded	1	PC	
6	701256	snap hook 12x75 DIN 1481	1	PC	
7	1206341	Shock absorber 160VB	1	PC	
8	706377	Hexagon screw M12x20 DIN 933 8.8	4	PC	
9	706300	Washer 12 DIN 1440	4	PC	
10	L2035820	Grease nipple AM8X1 Kegel DIN 71412	2	PC	
11	L13995115	Cap	2	PC	
12	1548013	snap hook 10x60 DIN 1481	1	PC	
13	694932	Deflection lever welded	1	PC	
14	700203	Conical grease nipple AS 6x1 DIN 71412	1	PC	
15	701035	Split pin 4x28 DIN 94	1	PC	
16	625761	Bolt	1	PC	
17	706520	Bolt B16 H11x65X59,0 EN2341	1	PC	
18	1808986	Screw M6 with shoulder	1	PC	Secured with Loctite 270

Overrun device 160VB BASIC with handle (811923)

Item no.	Article no.	Description	Quantity	Unit	Remark
19	1368206	Fork head 10X45 DIN 71752 at drawing	1	PC	
20	647241	Triangle segment for deflection lever	1	PC	
21	694931	Hand brake lever incl. brake away cable 160/270VB BASIC	1	PC	
22	368605	Breakaway cable with hooks 950 mm length for common commercial trailers	1	PC	
23	694927	Deflection lever cpl. VB-BASIC	1	PC	
24	705494	washer 10,5 DIN 9021-ST	1	PC	
25	705519	hexnut M10 DIN 985-10	1	PC	For safety reasons: Self locking nuts and screws with chemical self locking must be used once. After untighten always use a new part.
26	1231867	bowden cable with threaded bolt M10 / drawbar	1	PC	
27	1808987	Bearing bolt	1	PC	Secured with Loctite 270
28	1808985	Fork head welded	1	PC	
29	705378	Hexnut M10 DIN 934-8	1	PC	
30	1586275	Bush Ø18,0x2,5 x84	1	PC	
31	353314	Brake rod M10x1150	1	PC	
32	1311917	Flanged bush 162VB	4	PC	
33	1311913	Bush Ø26,0x3,0 x71	2	PC	
34	ETK0022	Drawbar	1	PC	Drawbar customized - represent length

Overrun device 160VB BASIC with handle (811923)

Item no.	Article no.	Description	Quantity	Unit	Remark
					and type by purchase order
35	706110	Self locking nut with flange M12x1,5-10 GEOMET	8	PC	For safety reasons: Self locking nuts and screws with chemical self locking must be used once. After untighten always use a new part.
36	704390	Bolt M12x1,5x30 EN 1665-F 10.9 GEOMET SW18	8	PC	
37	705526	hexnut M12 DIN 985-10	1	PC	For safety reasons: Self locking nuts and screws with chemical self locking must be used once. After untighten always use a new part.
38	1800035	Clamp handle M27x1,5	2	PC	
39	706288	Cotter pin 6,3 DIN 11024	2	PC	
40	1800083	Bearing screw M27x1,5x118	2	PC	
41	1548007	Spacer side arm 160/270VB	1	PC	
42	705420	Hexagon screw M12x110 DIN 931 8.8	1	PC	
43	553603	Bush Ø18,0x2,5 x79	1	PC	
44	1800078	Adapter 160VB black painted	1	PC	
44	1656672	Adapter 160VB electrolytically galvanised	1	PC	
45	706336	Lock washer SL 10 SXN 08	1	PC	