

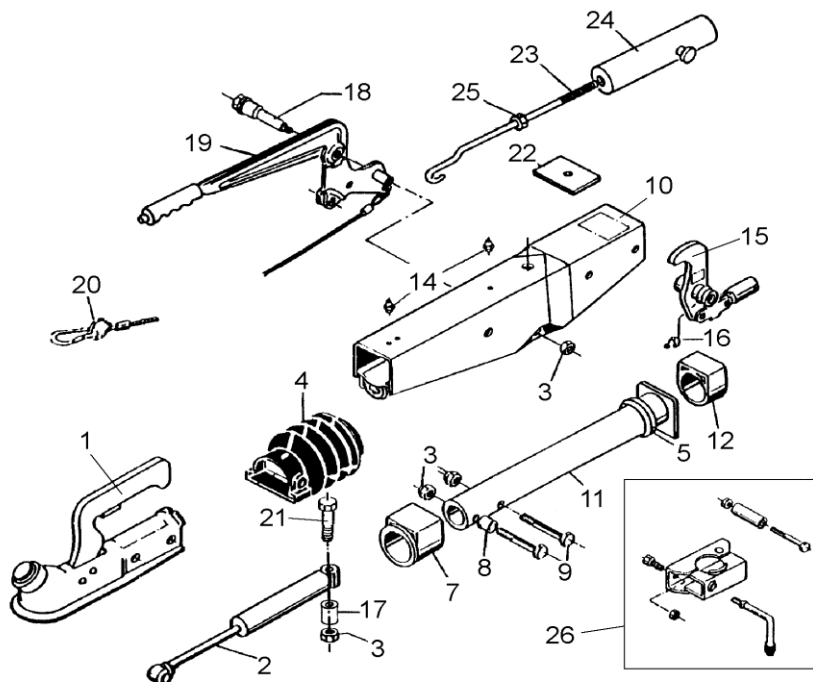
# OVERRUN DEVICE 161S VKT 70 AK160 TOTP

ETI- No. 811521

(Specify the order with the ETI No.)

**AL-KO**

Spare Parts



Item	Description	Part No.
1	BALL COUPLING (order due to type, without mounting material)	*
2	SHOCK ABSORBER	583529
3	NUT HEX M12 DIN 980	704065
4	BELLOW	366356
5	DAMPING RUBBER	371372
7	FLANGE BUSH (not rubbed out)	353943
8	BUSH	357242
9	BOLT HEX M12X70 DIN 931	700061
10	BODY CPL. WITH BUSHES FOR OD	*
11	DRAWBAR WELDED	571873
12	PLAIN BUSH (not rubbed out)	353942
14	GREASE NIPPLE AS 8X1 CONUS	375900
15	BELL CRANK UNI	380525
16	GREASE NIPPLE AS 6X1 CONUS	700203
17	BUSH	625660
18	BEARING BOLT	647114
19	HAND BRAKE LEVER CPL INCL POS 20	645420
20	BREAKAWAY CABLE WITH HOOK	368605
21	BOLT 6KT M12X120 DIN 931	701670
22	END STOP PLATE	581699
23	HOOK ROD	607013
24	SPRING CYLINDER CPL	645388
25	NUT 6KT M12 DIN 985	702750
26	CLAMP FOR TUBE Ø48	293020

\* look engraved drawing-number on the OD

\*\*upgrade could be mounted optionally

OD = overrun device

provided	ETI-No.	changed	Change No.	Reason of the change	Revisions-No.
12.01.10	811521_en		FREIGABE		A