

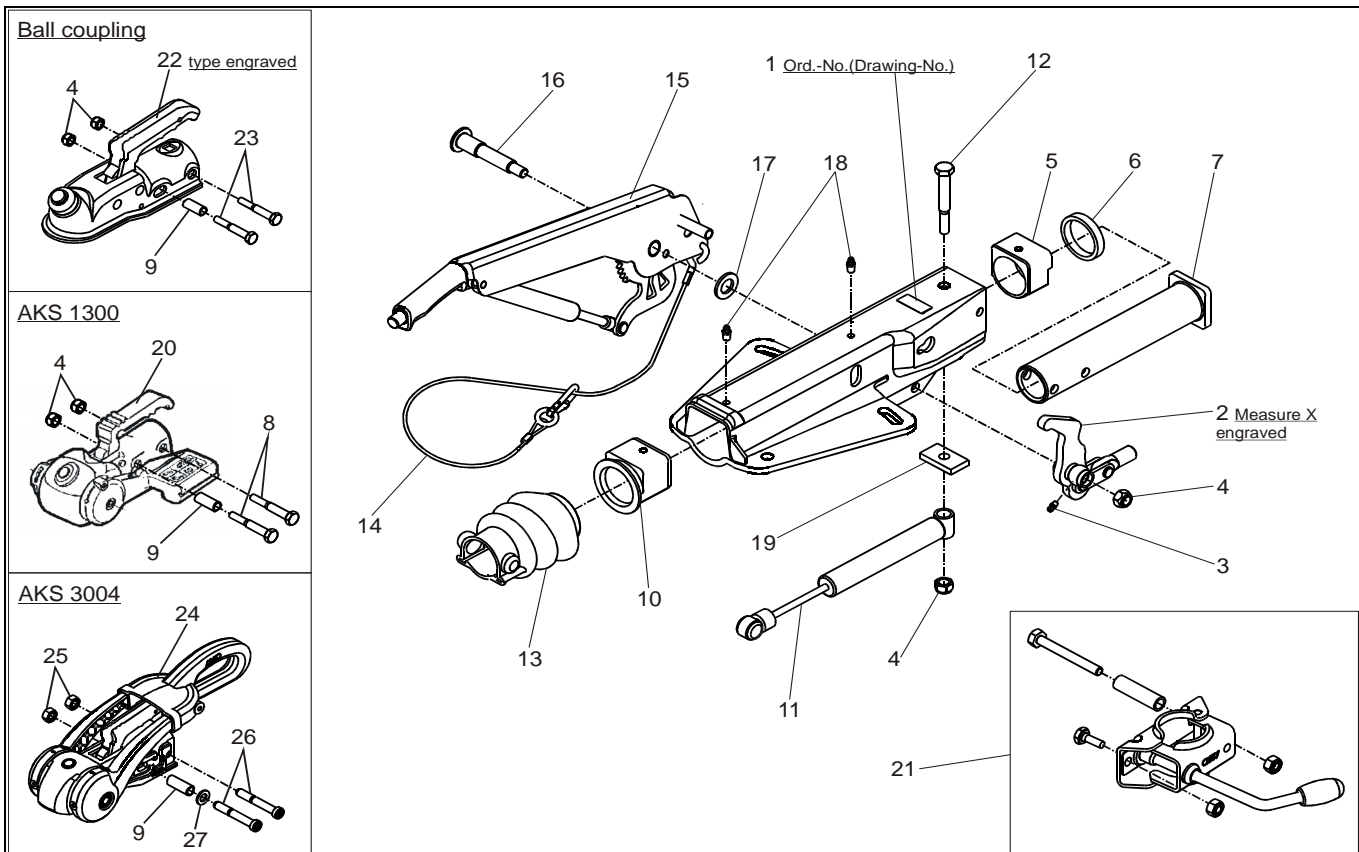
# OD 161 S ( TOP-ASSEMBLY, 700KG - 1350KG )

ETI- No. 811406

(Specify the order with the ETI No.)

**AL-KO**

Spare Parts



Item	Description	Drawing No.
1	BODY CPL. WITH PRESSED IN BUSHES FOR OD	*
2	BELL CRANK 90 : 27 WITH JOINT HEAD AND GREASE NIPPLE (POS.3)	380 265
3	GREASE NIPPLE AS 6X1 CONUS	700 203
4	NUT HEX M12 DIN 985	704 065
5	PLAIN BUSH (not rubbed out)	353 942
6	DAMPING RUBBER	371 372
7	DRAWBAR WELDED	571 873
8	BOLT HEX M12X75 DIN 931	701 959
9	BUSH	370 559
10	FLANGE BUSH (not rubbed out)	353 943
11	SHOCK ABSORBER	583 529
12	BOLT HEX M12X90 DIN 931	702 823
13	BELLOW	366 356
14	BREAKAWAY CABLE	368 605
15	HAND BRAKE LEVER CPL. incl. pos. 14	220 094
16	BEARING BOLT	581 145
17	WASHER 19,4X34X3 DIN 125	370 693
18	GREASE NIPPLE AS 8X1 CONUS	375 900
19	END STOP PLATE	581 699
20	BALL COUPLING AKS 1300 (without mounting material)	245 795
21	CLAMP FOR TUBE 48 (upgrade could be mounted optionally)	293 020

Item	Description	Drawing No.
22	BALL COUPLING (order due to type, without mounting material)	
23	BOLT HEX M12X70 DIN931	700 061
24	BALL COUPLING AKS 3004 (without mounting material)	1220840
25	SAFETY NUT M12	371 932
26	BOLT M12X78	692 034
27	WASHER A13 DIN125	700 140

\* look engraved drawing-number on the OD

OD = overrun device

provided	ETI-No.	changed	Change No.	Reason of the change	Revisions-No.
18.03.03	811406_en	29.07.2009	15688	AKS 3004 and picture of ball coupling added	B