

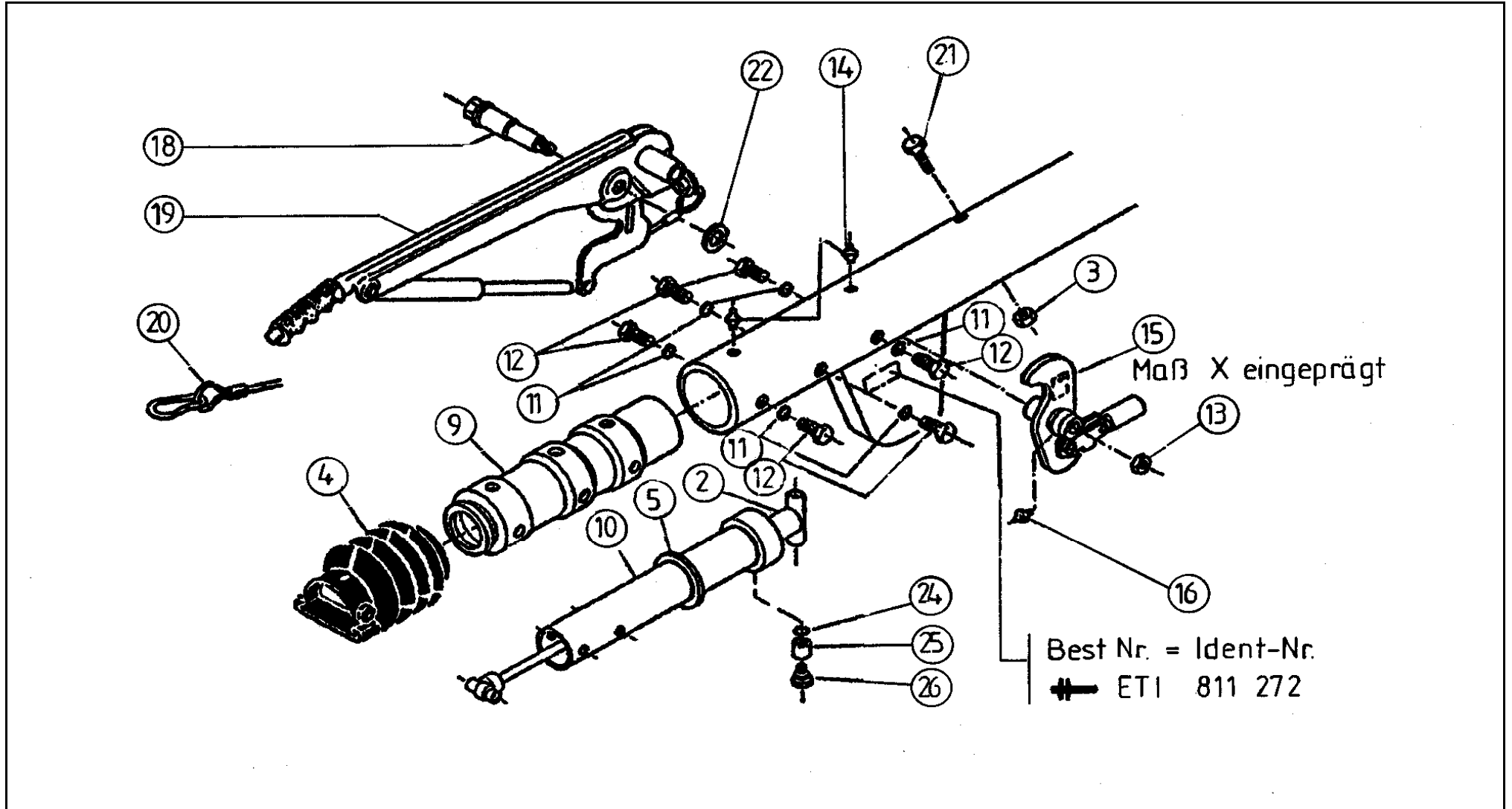
OVERRUN DEVICE VERSION 131 R

ETI- No. 811272

(Specify the order with the ETI No.)

AL-KO

Spare Parts



Item	Description	Drawing No.
2	SHOCK ABSORBER	583528
3	NUT HEX M12 DIN 980-V-8 A3C	704065
4	BELLOWS	366356
5	PROFILE RING	371372
9	CAST - BEARING CARTRIDGE	583367
10	DRAW TUBE WELDED	380532
11	WASHER A8,4 DIN 6798 A3C	703466
12	BOLTE HEX M8x9 DIN 933 A3C	703194
13	NUT HEX AM 12 DIN 980-10 A3C	704065
14	GREASE NIPPLE AM 8x1 CONUS	368461
15	BELL CRANK CPL. (WITH JOINT HEAD AND GREASE NIPPLE MONT.)	
	iH = 90:27	384655
16	GREASE NIPPLE AM 6 CONUS	700203
18	BEARING BOLT	581145
19	HAND BRAKE LEVER CPL. WITH BRAKE AWAY CABLE	220094
20	BRAKE AWAY CABLE WITH HOOK	368605
21	BOLT HEX M12x90 DIN 931 ZINC-PLATED	702823
22	WASHER (19,2x34x2)	370693
24	WASHER A8,4 DIN 6798 A3C	703466
25	BUSH	583463
26	BEARING BOLT	583042

Item	Description	Drawing No.

AT THE TIME OF ORDER ALWAYS INDICATE ETI-NO.

DRAWBAR WITH CONNECTION WELLS CUSTOMIZED (AT THE TIME OF ORDER SEE GRAVE DRAWING-NO. OVERRUN DEVICE)

provided	ETI-No.	changed	Change No.	Reason of the change	Revisions-No.
04.10.99	811272_en	15.02.2010	FREIGABE		A