

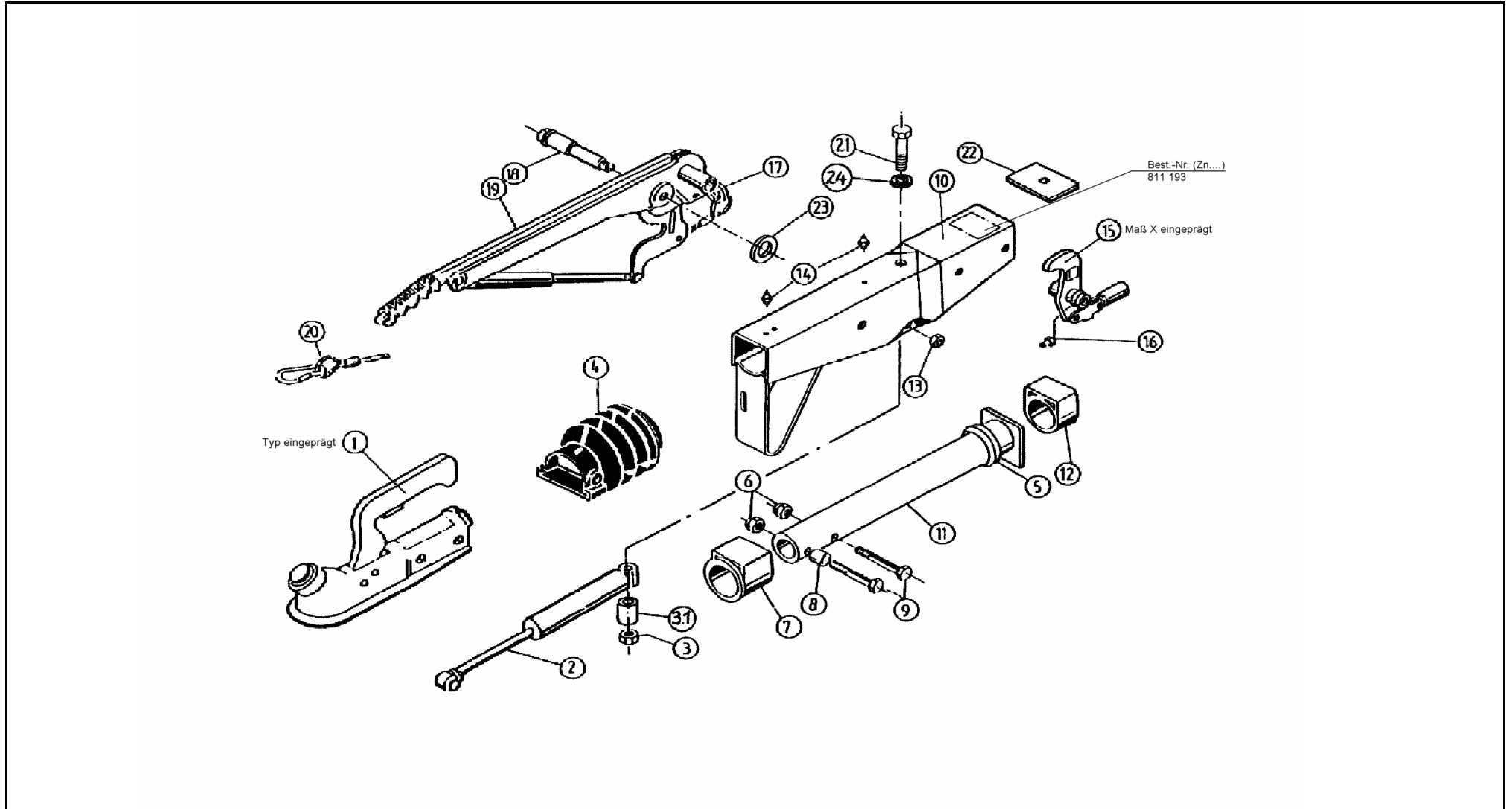
# OD VKT100 161S GAS SP COUPL/AKS SWED

ETI- No. 811193

(Specify the order with the ETI No.)

**AL-KO**

Spare Parts



Item	Description	Drawing No.
1	COUPLING (PURCHASE ORDER BY TYPE, WITHOUT FIXING MATERIAL)	
2	SHOCK ABSORBER WITH BUSH	370558
3	NUT HEX M12 DIN 985-10 A3C	371932
3.1	BUSH	370580
4	BELLOWS	366356
5	PROFILE RING	371372
6	NUT HEX M12 DIN 985-10 A3C	702750
7	BUSH (NOT RUB OUT)	353943
8	BUSH	370559
9	BOLT HEX M12x70 DIN 931	700061
10	BODY CPL. WITH BUSHS OVERRUN DEVICE	AT THE TIME OF ORDER SEE GRAVE DRAWING-NO. OVERRUN DEVICE
11	DRAW TUBE WELDED	571874
12	BUSH (NOT RUB OUT)	353942
13	NUT HEX M12 DIN 985-10 A3C	702750
14	GREASE NIPPLE AM8x1 CONUS	2171710001
15	BELL CRANK (WITH JOINT HEAD AND GREASE NIPPLE)	
	iH = 90:25	626680
16	GREASE NIPPLE AM 6 CONUS	700203
17	BRAKE AWAY RING (MONT AT THE HAND BRAKE LEVER)	2043700102
18	BEARING BOLT	581145

Item	Description	Drawing No.
19	HAND BRAKE LEVER (INCL. BRAKE AWAY CABLE (POS20), BRAKE AWAY RING (POS17))	220102
20	BRAKE AWAY CABLE (MONT. AT THE HAND BRAKE LEVER)	209385
21	BOLT HEX M12x105 DIN 931	703134
22	END STOP PLATE	581699
23	WASHER (19,4x34x3)	370693
24	WASHER	700140

AT THE TIME OF ORDER ALWAYS INDICATE ETI-NO.

provided	ETI-No.	changed	Change No.	Reason of the change	Revisions-No.
10.11.98	811193_en	11.02.2010	FREIGABE		A