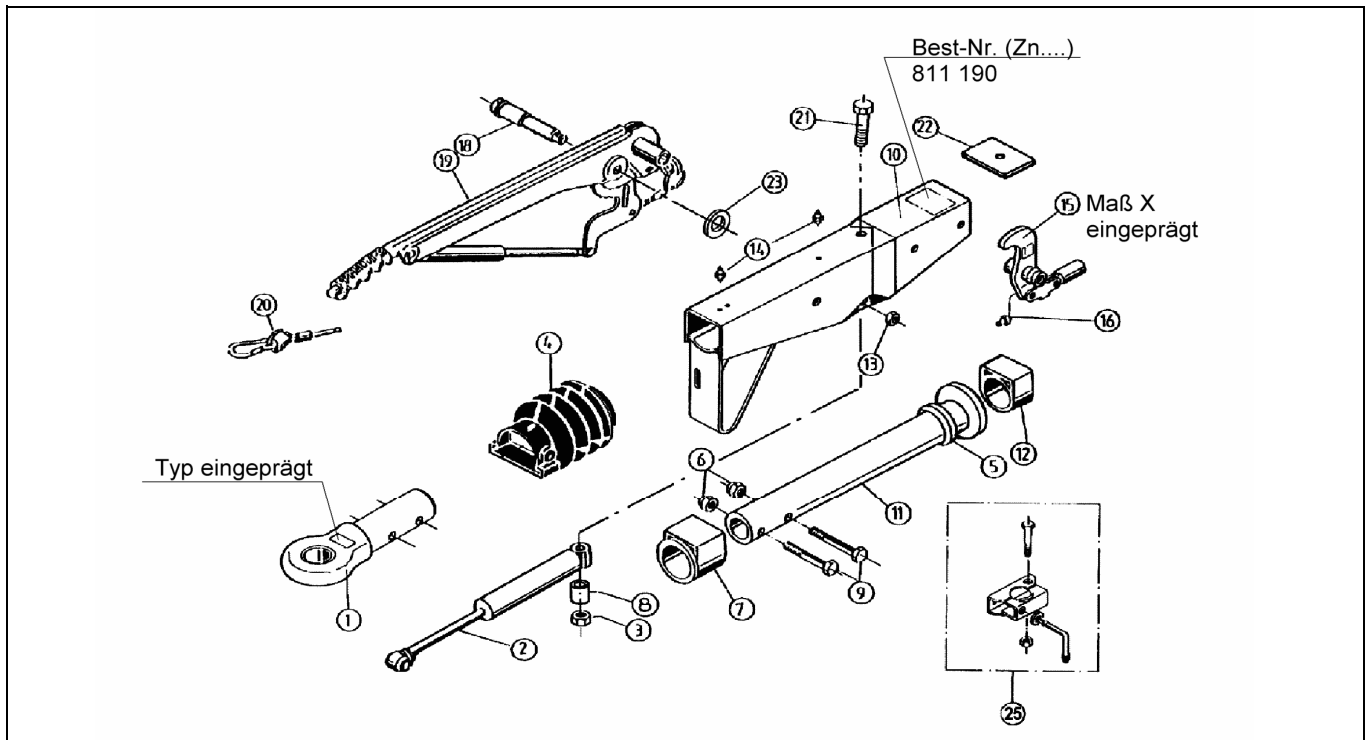


# O/DEV 161S SQ100 GAS STRUT ROTATING SHAFT / EYE END



ETI- No. 811190 (Please indicate ETI number when ordering)

Spare Parts



Item	Description	Part No.
1	Eye end (without fixings)	
	DIN EYE	357419
	NATO EYE	357420
	ITALIAN EYE	364839
2	DAMPER	370558
3	NUT HEX M12 DIN 985-10 A3C	704065
4	GAITER	366356
5	BUMP STOP	371372
6	NUT HEX M12 DIN 985-10 A3C	704065
7	BUSH (BORE NOT MACHINED)	353943
8	BUSH	625660
9	BOLT HEX M12x60 DIN 931	702749
10	BODY CPL. WITH BUSHES - OVERRUN DEVICE	AT THE TIME OF ORDER CHECK ENGRAVED PART-NO. ON OVERRUN DEVICE
11	SHAFT	380413
12	BUSH (BORE NOT MACHINED)	353942
13	NUT HEX M12 DIN 985-10 A3C	704065
14	GREASE NIPPLE AM8x1 CONUS	375900
15	OVERRUN LEVER ASSEMBLY COMPLETE WITH GREASE NIPPLE	
		iH = 90:31,5
16	GREASE NIPPLE AM6	700203
18	BEARING BOLT	581145

Item	Description	Part No.
19	HAND BRAKE ASSEMBLY CPL. WITH BREAK AWAY CABLE	220096
20	BREAK AWAY CABLE	368605
21	BOLT HEX M12x1220 DIN 931	701670
22	END STOP PLATE	581699
23	WASHER (19,2x34x3)	370693
25	JOCKEY WHEEL CLAMP ASSEMBLY (IF FITTED)	
25.1	OUTER CLAMP	20531802
25.2	CLAMP HANDLE SHORT	20531703
25.3	WASHER A13	700140
25.4	BOLT HEX M8x65 DIN 931	701127
25.5	NUT HEX M8 DIN 6925-8	700643

O/DEV = OVERRUN DEVICE  
Always indicate ETI number at time of order

provided	ETI-No.	changed	Change No.	Reason of the change	Revisions-No.
31.07.97	811190_en	10.02.2010	FREIGABE		A