

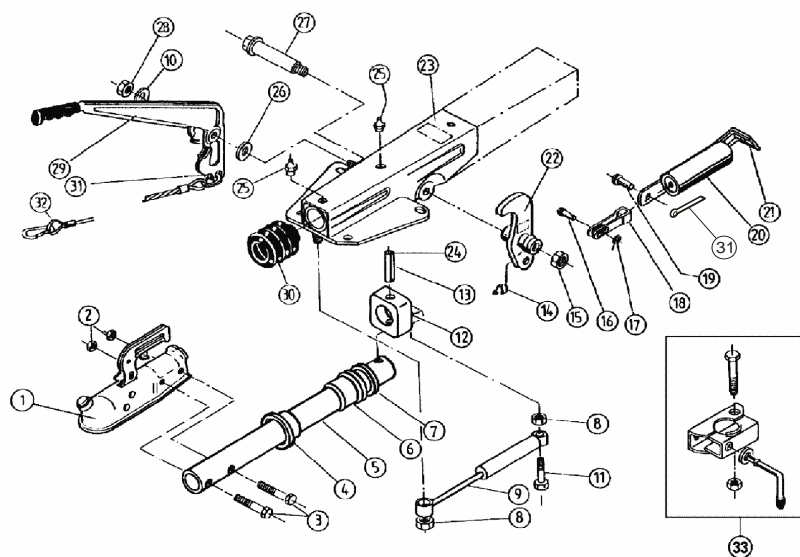
OD V 120SR/1 SP STO COUPL ABOVE

ETI- No. 811087

(Specify the order with the ETI No.)

AL-KO

Spare Parts



Item	Description	Drawing No.
1	COUPLING AK 10/2	203201
2	NUT HEX M12 DIN 980-V-10	700645
3	BOLT HEX M12x55 DIN 933-8.8	700281
4	BUSH	2072410202
5	DRAW TUBE	365136
6	BUSH	2072410206
7	DAMPING RUBBER	2072410207
8	NUT HEX M10 DIN 980-V-10	700644
9	SHOCK ABSORBER	20775504
10	WASHER 17x27x2	700273
11	HEADLESS SCREW	2078710401
12	PULL RING	2074890203
13	SPRING DOWEL PIN 12x50 DIN 1481	700174
14	GREASE NIPPLE AM 6	700203
15	NUT HEX M12 DIN 980-V-10	700645
16	RIVET 10x25	647287
17	WASHER 10,5 DIN 125	700139
18	FORK HEAD	2073890606
19	BOLT	2076810609
20	SPRING STORAGE	2075020601
21	TENSION BINDER	365226
22	BELL CRANK WITH FORK HEAD	354002
23	BODY	SEE GRAVE DRAWING-NO. OVERRUN DEVICE
24	SPRING DOWEL PIN 7x50 DIN 1481	700226

Item	Description	Drawing No.
25	GREASE NIPPLE AM 6	2171710001
26	SPRING WASHER B16 DIN 137	700135
27	BEARING BOLT	2170630503
28	NUT HEX M12 DIN 980-V-10	700645
29	HAND BRAKE LEVER CPL. WITH BRAKE AWAY CABLE AND GEAR SEGMENT	204549
30	BELLOWS	2073890210
31	SPLINT 4x20 DIN 94	700192
32	BRAKE AWAY CABLE WITH HOOK	368605
33	IN CASE OF MONT CLAMP (CLAMP WELDED)	
33.1	CLAMPPART	205318
33.2	LOCKING HANDLE CPL.	20531703
33.3	WASHER A13	700140
33.4	BOLT HEX M8x65 DIN 931	701127
33.5	NUT HEX M8 DIN 980-V-8	700643

AT THE TIME OF ORDER ALWAYS INDICATE ETI-NO.

provided	ETI-No.	changed	Change No.	Reason of the change	Revisions-No.
19.01.94	811087_en	13.09.2010 BB	16151	Pos 16 WAS 702121, Pos 19 WAS 701935, Pos 29 WAS 354368, Pos 31 NEW	B