

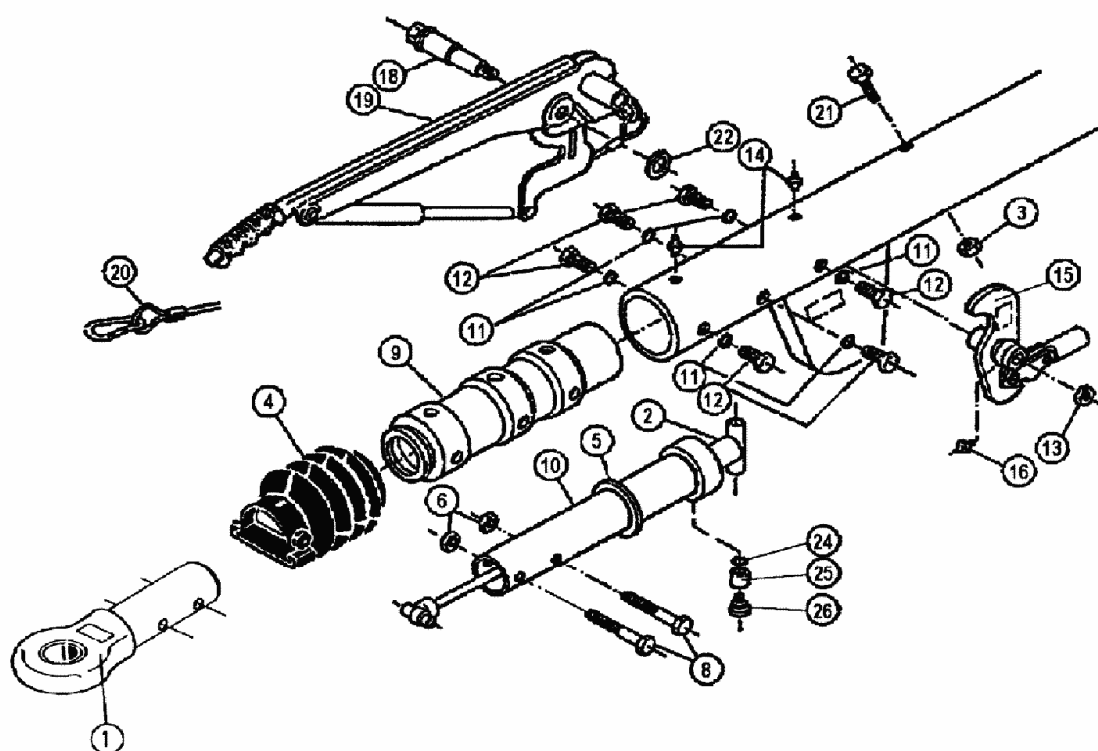
OD TUBE88,9X5,6 161R/B GAS SP EYE

ETI- No. 811046

(Specify the order with the ETI No.)



Spare Parts



Item	Description	Drawing No.
1	DRAWBAR EYE (WITHOUT FIXING MATERIAL)	
	DIN	357419
	NATO	357420
	ITALY	370999
2	SHOCK ABSORBER	370558
3	NUT HEX M12 DIN 980-V-10 A3C	700645
4	BELLOWS	366356
5	PROFILE RING	371372
6	NUT HEX M12 DIN 985-10 A3C	702750
8	BOLT HEX M12x60 DIN 931	700222
9	CAST BEARING CARTRIDGE	583046
10	DRAW TUBE WELDED	380507
11	WASHER A10,5 DIN 6798 A3C	704095
12	BOLT HEX M12x16 DIN 931 ZINC-PLATED	701334
13	NUT HEX AM12 DIN 985-10 A3C	702750
14	GREASE NIPPLE AM8x1 CONUS	368461
15	BELL CRANK UNI CPL. WITH JOINT HEAD AND GREASE NIPPLE MONT.	
	iH = 90:27	380487
	iH = 90:30	380489
	iH = 90:33,5	380490
15	BELL CRANK CPL. WITH JOINT HEAD AND GREASE NIPPLE MONT.	
	iH = 90:27	384655
	iH = 90:30	384651
	iH = 90:33,5	387984

Item	Description	Drawing No.
16	GREASE NIPPLE AM6 CONUS	700203
18	BEARING BOLT	581145
19	HAND BRAKE LEVER CPL. WITH BRAKE AWAY CABLE	220096
20	BRAKE AWAY CABLE WITH HOOK	368605
21	BOLT HEX M12x110 DIN 931 ZINC-PLATED	700313
22	WASHER (19,2x34x39)	370693
24*	WASHER A8,4 DIN 6798 A3C	703466
25*	BUSH	583043
26*	BEARING BOLT	583042

* NOT AT THE ROTATABLE TYPE

AT THE TIME OF ORDER ALWAYS INDICATE ETI-NO.

DRAWBAR WITH CONNECTIONWELLS CUSTOMIZED (AT THE TIME OF ORDER SEE GRAVE DRAWING-NO. OVERRUN DEVICE)

provided	ETI-No.	changed	Change No.	Reason of the change	Revisions-No.
19.11.92	811046_en	14.01.2010	FREIGABE		A