

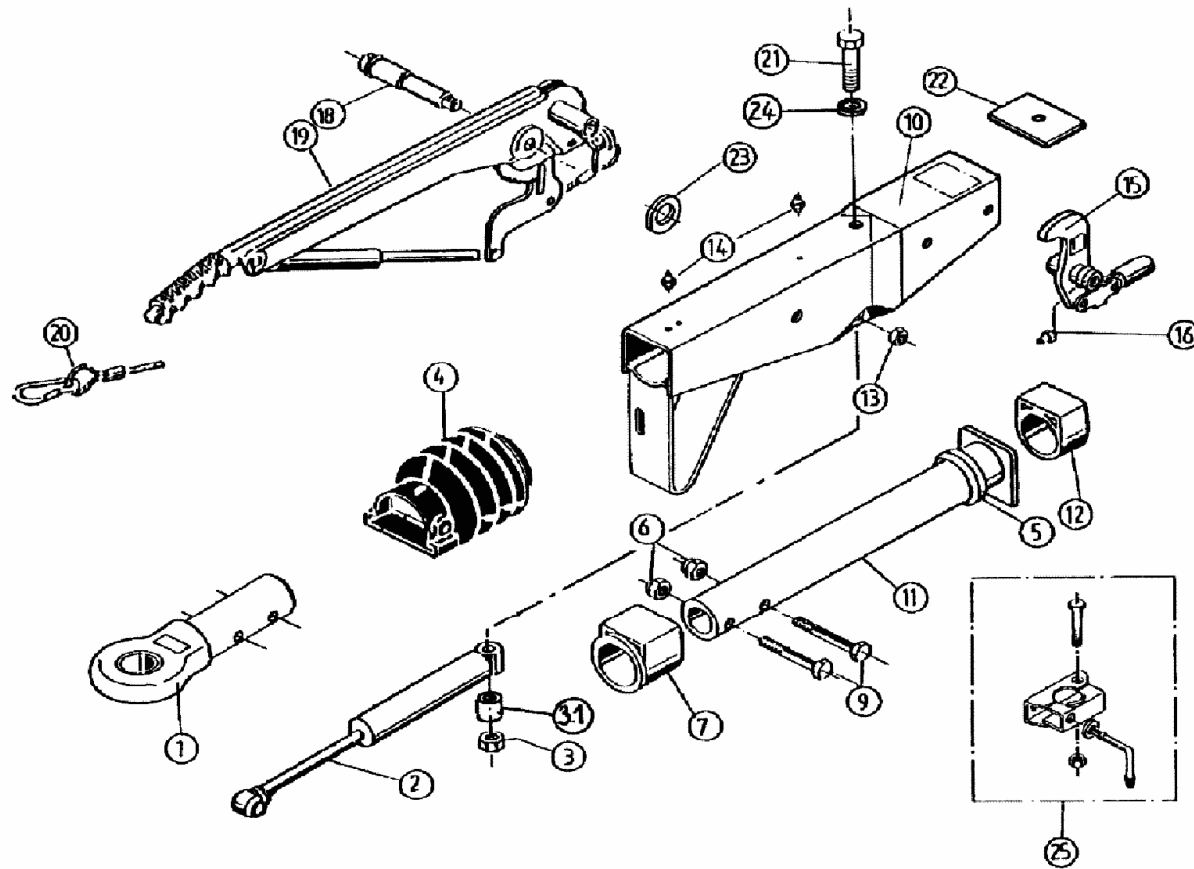
# OD VKT 161S GAS SP EYE BIS 06/97

ETI- No. 811035

(Specify the order with the ETI No.)



Spare Parts



Item	Description	Drawing No.
1	DRAWBAR EYE (WITHOUT FIXING MATERIAL)	
	DIN	357419
	NATO	357420
	ITALY	364839
2	SHOCK ABSORBER	370558
3	NUT HEX M12 DIN 985-10 A3C	371932
3.1	BUSH	370580
4	BELLOWS	366356
5	PROFILE RING	371372
6	NUT HEX M12 DIN 985-10 A3C	702750
7	BUSH (NOT RUB OUT)	353943
8	BUSH	370559
9	BOLT HEX M12x60 DIN 931	700222
10	BODY CPL WITH BUSHES OVERRUN DEVICE	AT THE TIME OF ORDER SEE GRAVE DRAWING-NO. OVERRUN DEVICE
11	DRAW TUBE WELDED	571875
12	BUSH (NOT RUB OUT)	353942
13	NUT HEX M12 DIN 985-10 A3C	702750
14	GREASE NIPPLE AM 8X1 CONUS	2171710001
15	BELL CRANK WITH JOINT HEAD AND GREASE NIPPLE (POS 16) MONT.	
	IH = 90:27	380265
	IH = 90:30	380285

Item	Description	Drawing No.
16	GREASE NIPPLE AM 6 CONUS	700203
18	BEARING BOLT	581145
19	HAND BRAKE LEVER CPL WITH BRAKE AWAY CABLE	220096
20	BRAKE AWAY CABLE WITH HOOK	368605
21	BOLT HEX M12x105 DIN 931	703134
22	END STOP PLATE	581699
23	WASHER (19,4x34x3)	370693
24	WASHER	700140
25	IN CASE OF MONT. CLAMP (CLAMP WELDED)	
25.1	CLAMP PART	20531802
25.2	LOCKING HANDLE	
25.3	WASHER A13	20531703
25.4	BOLT HEX M8x65 DIN 931	700140
25.5	NUT HEX M8 DIN 6925-8	701127
		700643

AT THE TIME OF ORDER ALWAYS INDICATE ETI-NO.

provided	ETI-No.	changed	Change No.	Reason of the change	Revisions-No.
16.03.93	811035_en	14.01.2010	FREIGABE		A