

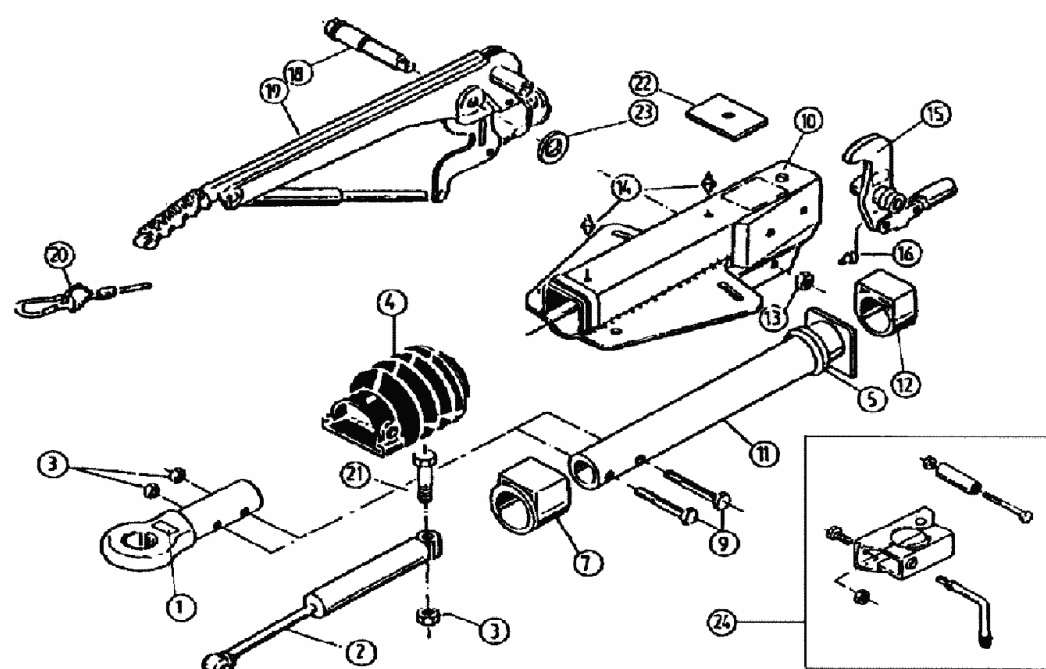
OD V 161S GAS SP ST EYE ABOVE

ETI- No. 811029

(Specify the order with the ETI No.)



Spare Parts



Item	Description	Drawing No.
1	DRAWBAR EYE (WITHOUT FIXING MATERIAL) DIN 357419 NATO 357420 ITALY 364839	
2	SHOCK ABSORBER	370558
3	NUT HEX M12 DIN 985-10 A3C	702750
4	BELLOWS	366356
5	PROFILE RING	371372
6	NUT HEX M12 DIN 985-10 A3C	702750
7	BUSH (NOT RUB OUT)	353943
9	BOLT HEX M12x60 DIN 931	700222
10	BODY CPL WITH BUSHS OVERRUN DEVICE	AT THE TIME OF ORDER SEE GRAVE DRAWING-NO. OVERRUN DEVICE
11	DRAW TUBE WELDED	571875
12	BUSH (NOT RUB OUT)	353942
13	NUT HEX M12 DIN 985-10 A3C	702750
14	GREASE NIPPLE AM 8X1 CONUS	375900
15	BELL CRANK WITH JOINT HEAD AND GREASE NIPPLE (POS 16) IH = 90:27 380265 IH = 90:30 380285	

Item	Description	Drawing No.
16	GREASE HIPPLE AM 6 CONUS	700203
18	BEARING BOLT	581145
19	HAND BRAKE LEVER CPL WITH BRAKE AWAY CABLE	220096
20	BRAKE AWAY CABLE WITH HOOK	368605
21	BOLT HEX M12x90 DIN 931	700312
22	END STOP PLATE	581699
23	WASHER (19,4X34X3) DIN 125	370693
24	CLAMP FOR TUBE 48 (RETROFIT KIT COULD ADD ON OPTIONALLY)	293020

AT THE TIME OF ORDER ALWAYS INDICATE ETI-NO.

provided	ETI-No.	changed	Change No.	Reason of the change	Revisions-No.
16.03.93	811029_en	13.01.2010	FREIGABE		A