

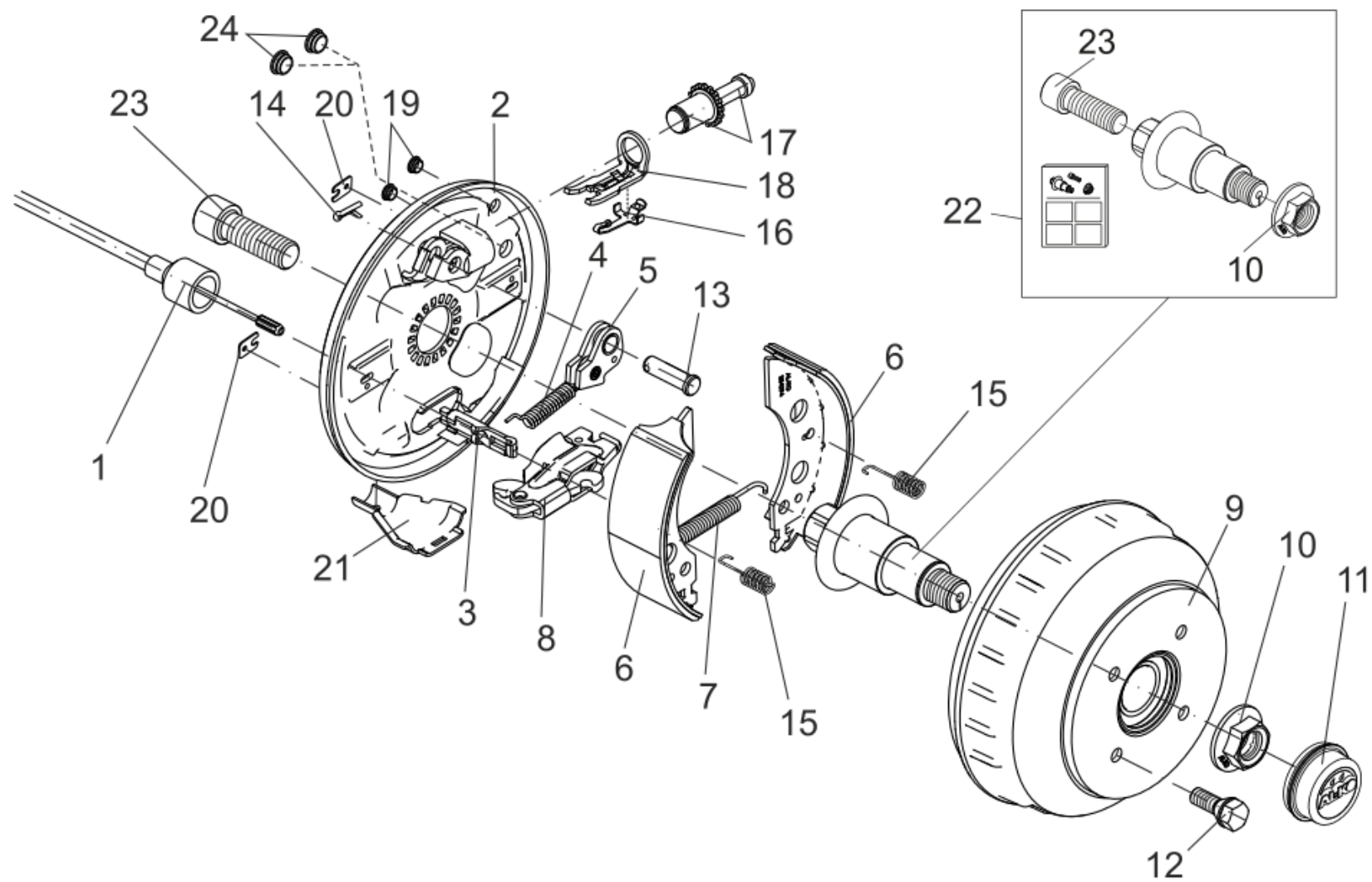
811979

Inhaltsverzeichnis

Wheel brake 1637 COMPACT wash-design 500kg M22 (811979)

3

Wheel brake 1637 COMPACT wash-design 500kg M22 (811979)



Wheel brake 1637 COMPACT wash-design 500kg M22 (811979)

Item no.	Article no.	Description	Quantity	Unit	Remark
1	247281	Bowden cable COMPACT 350/546 long PROFI LONG LIFE	1	PC	
1	247282	Bowden cable COMPACT 530/726 long PROFI LONG LIFE	1	PC	
1	247283	Bowden cable COMPACT 770/966 long PROFI LONG LIFE	1	PC	
1	247284	Bowden cable COMPACT 890/1086 long PROFI LONG LIFE	1	PC	
1	247285	Bowden cable COMPACT 1020/1216 long PROFI LONG LIFE	1	PC	
1	247286	Bowden cable COMPACT 1130/1326 long PROFI LONG LIFE	1	PC	
1	247287	Bowden cable 1320/1516 long PROFILONG LIFE	1	PC	
1	247288	Bowden cable COMPACT 1430/1626 long PROFI LONG LIFE	1	PC	
1	247289	Bowden cable COMPACT 1620/1816 long PROFI LONG LIFE	1	PC	
1	247290	Bowden cable COMPACT 1790/1986 long PROFI LONG LIFE	1	PC	
2	1362874	Braking plate welded leftt 1637 wash-design	1	PC	
2	1362875	Braking plate welded right 1637 wash-design	1	PC	
3	604262	Connection eye wheel brake 1637/2051/2361	1	PC	The open side of the connection eye for the bowden cable must show to the centre of rotation of the brake lever.

Wheel brake 1637 COMPACT wash-design 500kg M22 (811979)

Item no.	Article no.	Description	Quantity	Unit	Remark
4	2188870001	Tension spring left	1	PC	
5	384308	Auto reserve lever cpl. left	1	PC	
5	384309	Auto reserve lever cpl. right	1	PC	
6	1213885	Set brake jaw for one axle Achse 1637	1	PC	
7	2182150003	Tension spring	1	PC	
8	570666	Spread hinge lock cpl.	1	PC	The center of rotation of the brake lever must be fixed on the same side as the bolt of the auto-reverse.
9	1656572	Brake drum cpl. 100x4 waterproofed	1	PC	
9	1659202	Brake drum cpl. 98x4 waterproofed	1	PC	
9	1659203	Brake drum cpl. 112x5 waterproofed	1	PC	
9	1731335	Spare parts set bearing wheel brake 1637 waterproofed	1	PC	
9	1806479	Brake drum cpl. 130x4 waterproofed	1	PC	
10	581200	Flange nut M24x1,5	1	PC	For safety reasons: Self locking nuts and screws with chemical self locking must be used once. After untighten always use a new part.
11	1313924	End cap waterproofed Ø57	1	PC	
12	2081670018	Wheel bolt conical 60° M12x1,5x24	1	PC	
12	2081670020	Wheel bolt sperical M12x1,5 x25	1	PC	
13	368651	Bearing bolt	1	PC	

Wheel brake 1637 COMPACT wash-design 500kg M22 (811979)

Item no.	Article no.	Description	Quantity	Unit	Remark
14	700192	Split pin 4x20 DIN 94 (at drawing)	1	PC	
15	2088800003	Compression spring	2	PC	
16	368405	Compound spring	1	PC	
17	21873708	Regulation unit wheel brake	1	PC	
18	368361	Bow pressure	1	PC	
19	373245	Plug RAL6002	1	PC	
20	2382610002	Cover plate	2	PC	
21	371387	Brake cable shell	1	PC	
22	1806326	Stub axle wheel brake 1637	1	PC	
23	706900	Cylinder screw M22X60 DIN 912 at drawing	1	PC	For safety reasons: Self locking nuts and screws with chemical self locking must be used once. After untighten always use a new part.
24	693099	Seal plug	2	PC	