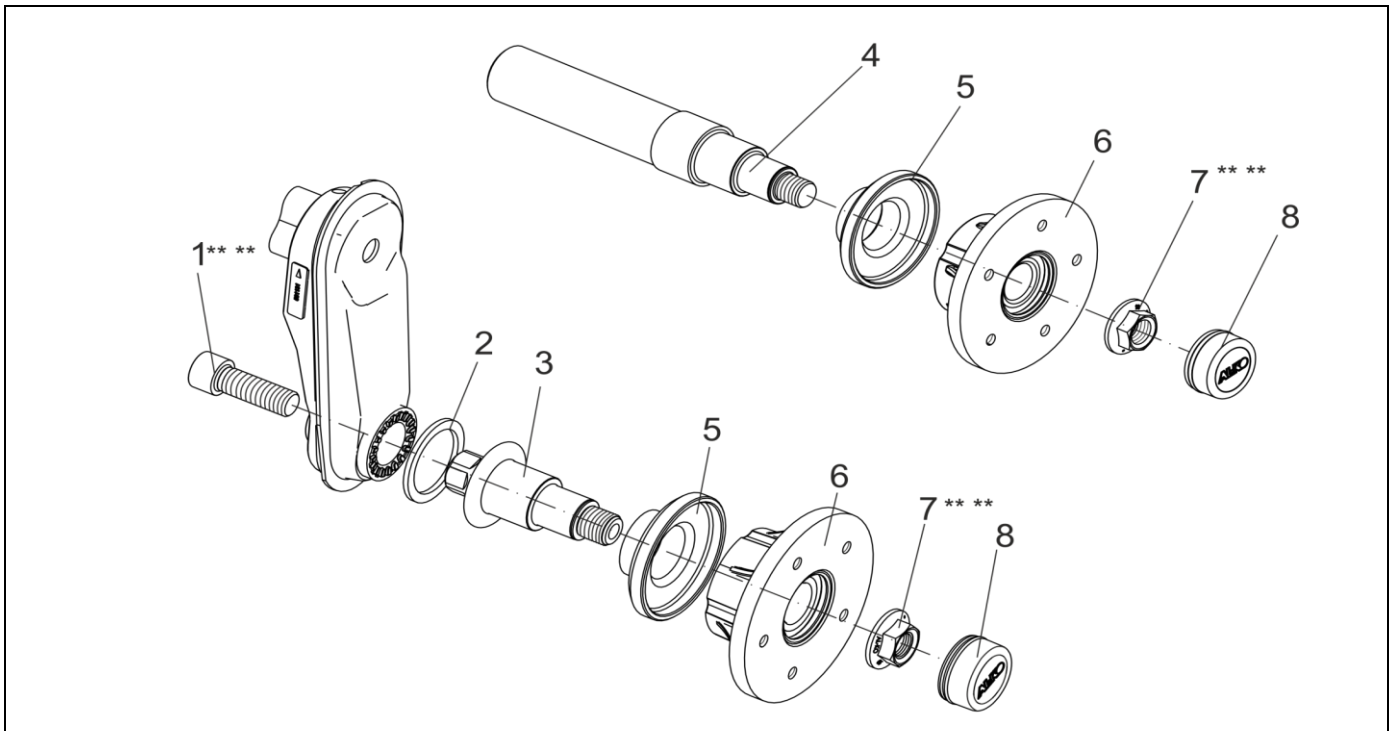


# HUB 650 KG / UNIT-BEARING 34 SCREWED / WELDED

ETI- No. 811484

(Specify the order with the ETI No.)

**AL-KO**  
Spare Parts



Item	Description	Part No.
1	CYLINDER BOLT WITH HEXAGON SOCKET ****	704096
2	SPACER RING	1360053
3	STUB AXLE 2051 UP TO 1300 KG SCREWED	1368305
4	STUB AXLE 650 KG WELDED	1360415
5	IMPACT PROTECTION	1360225
6	HUB COMPLETE WITH BEARINGS Ø98X4 M12x1.5	1360483
	Ø100X4 M12x1.5	1360241
	Ø112X5 M12x1.5	1360039
	SPARE PARTS SET: 1X BEARING, 1X CIRCLIP, 1X FLANGE NUT	1224801
7	FLANGE NUT M24X1,5 ****	581200
8	END CAP Ø57	581197

\*\*\* FOR SAFETY REASONS: SELF-LOCKING NUT AND SCREW WITH CHEMICAL SELF-LOCKING MUST BE USED ONCE. AFTER UNTIGHTEN ALWAYS USE A NEW SPARE.

provided	ETI-No.	changed	Change No.	Reason of the change	Revisions-No.
11.07.05	811484_en	14.07.2009	FREIGABE		A
		15.02.2011 HI	16422	see change notice	B
		18.04.2011 ÖJ	16511	Pos. 3: 1368305 war 605119	C
		18.04.2013 ÖJ	17372	Added welded version	D