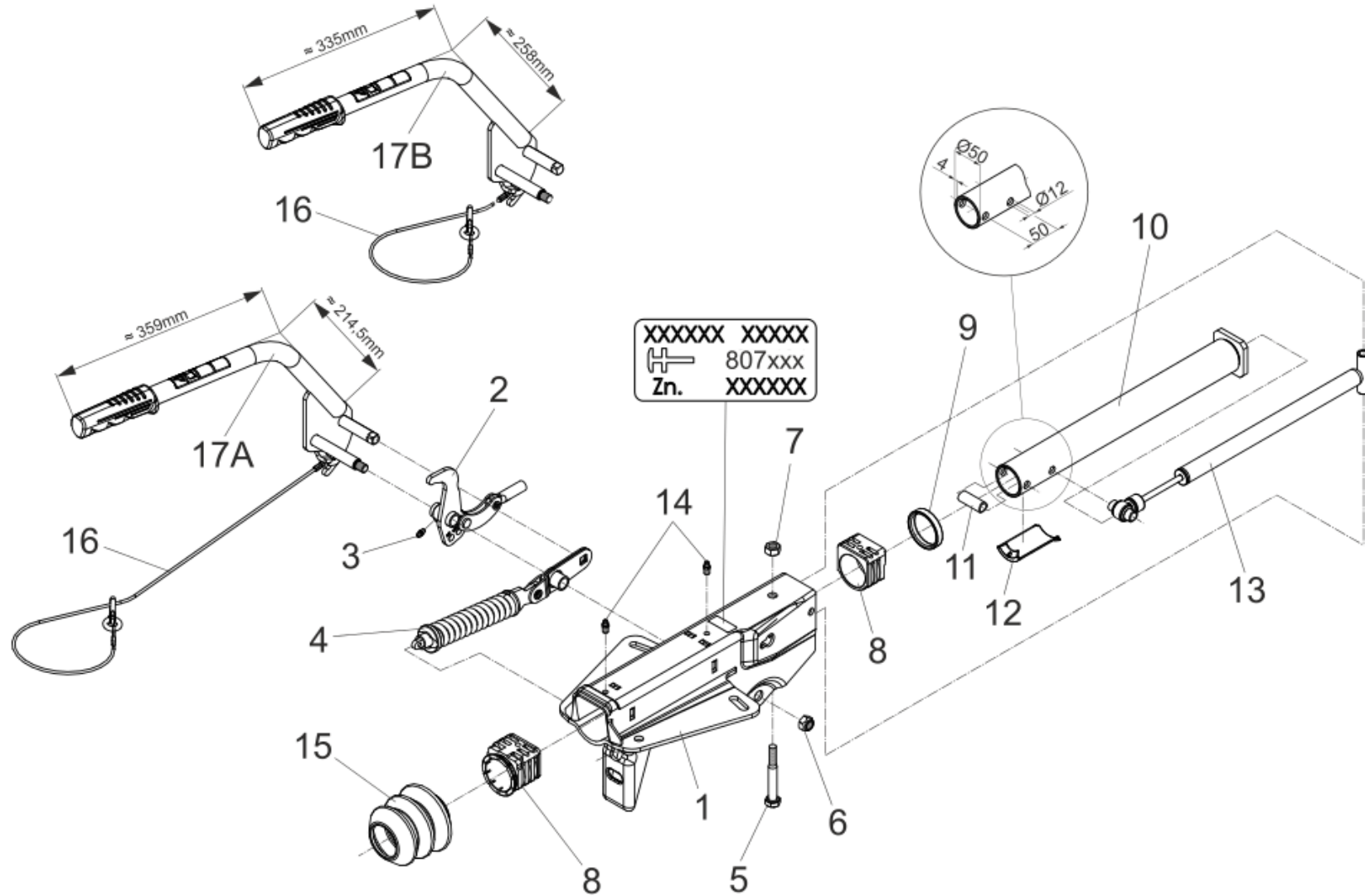


# Overrun device V 161S version B 700-1350kg; dead center handbrake lever (807074-1)



## Overrun device V 161S version B 700-1350kg; dead center handbrake lever (807074-1)

Item no.	Article no.	Description	Quantity	Unit	Remark
1	ETK0002	Housing	1	PC	At the time of order see graved drawing-no.
2	695423	Deflection lever mounted iH=90:27	1	PC	
2	695505	Deflection lever mounted iH=90:30	1	PC	
2	695506	Deflection lever mounted iH=90:33,5	1	PC	
3	700203	Conical grease nipple AS 6x1 DIN 71412	1	PC	
4	696851	Spare parts set: Lever cpl. with spring package for type 161S	1	PC	
5	705434	Hexagon screw M12x90 DIN 931 8.8	1	PC	Old material number: 02.5021.80.82
6	705526	hexnut M12 DIN 985-10	1	PC	For safety reasons: Self locking nuts and screws with chemical self locking must be used once. After untighten always use a new part.
7	706437	Self locking nut BIW M12	1	PC	Old material number: 02.5273.12.82
8	1731969	Spare parts set overrun device bushing	1	PC	Attention: After fitting the bearing bushes must be reamed to the particular draw bar diameter
9	371372	Damping rubber	1	PC	
10	571873	Draw tube welded 161S	1	PC	

**Overrun device V 161S version B 700-1350kg; dead center handbrake lever (807074-1)**

Item no.	Article no.	Description	Quantity	Unit	Remark
11	647925	Distance bush	1	PC	
12	695259	Bracket	1	PC	
13	1931462	Shock absorber for permitted gross weight from 700 kg to 1350 kg	1	PC	
14	375900	Conical grease nipple AS 8x1 DIN 71412	1	PC	
15	695202	Bellows	1	PC	
16	368605	Breakaway cable with hooks 950 mm length for common commercial trailers	1	PC	
17A	695412	Hand brake lever incl. brake away cable	1	PC	
17B	1352389	Hand brake lever incl. brake away cable	1	PC	