

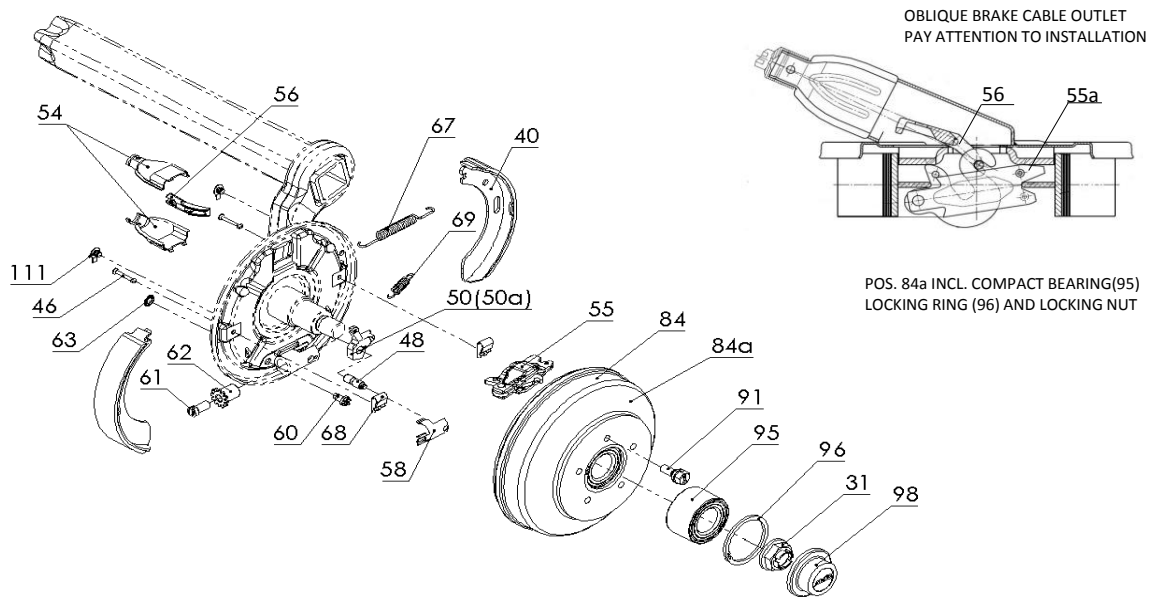
WHEEL BRAKE S2504-7RASK / S2504-7SK WITH HUB BEARING

ETI- No. 827038

(Specify the order with the ETI No.)

AL-KO

Spare parts



Item	Description	Material-No. (Part-No. BPW-FZT)
31	LOCK NUT M27x1,5	4018437 02.5273.38.00
40	BRAKE SHOE KIT S 2504-7 incl. Pos. 46, 67, 68, 69	4018193 09.801.03.80.0
46	CLAMPING PIN	4015117 03.001.08.14.0
48	PIN	4015428 03.084.52.39.0
50	SHAPED PLATE (RASK)	links 4003037 03.001.14.81.0 rechts 4003036 03.001.14.80.0
50a	SHAPED PLATE (SK)	links / rechts 4015126 03.001.14.79.0
54	HOSE GUIDE	4016999 03.338.05.04.0
55	EXPANDING LOCK straight cable outlet	4018034 05.359.02.05.0
55a	EXPANDING LOCK slanting cable outlet	4018035 05.359.02.06.0
56	TRACTION SHACKLE	4017078 03.396.12.02.0
58	CIRCLIPS	4017028 03.350.20.12.0
60	ADJUSTING BOLT	4016493 03.276.11.05.0
61	SCREW M12X25	4017012 03.341.01.12.0
62	ADJUSTING NUT	4016291 03.263.91.01.0
63	LOCK	4018316 02.3301.09.02
67	RETURN SPRING	4017089 03.397.21.14.0
68	CLAMP SPRING	4017029 03.352.00.04.0
69	RETURN SPRING	4017082 03.397.10.02.0

Item	Description	Material-No. (Part-No. BPW-FZT)
84a	DRUM HUB GROUP	165x5 M12x1,5 upto 1800kg 4020081 09.434.84.60.0 140x5 M12x1,5 upto 1800kg 4011396 05.434.84.66.0 112x5 M12x1,5 1800kg 4008799 09.434.84.63.0 waterproof 112x5 M12x1,5 1800kg 4008797 09.434.84.50.0
84	DRUM HUB	165x5 M12x1,5 bis 1800kg 4016487 03.274.18.09.0 140x5 M12x1,5 bis 1800kg 4016489 03.274.18.12.0 112x5 M12x1,5 1800kg 4016485 03.274.18.06.0
91	WHEEL BOLT SPHERICAL R12M12X1,5 X25 ZN8	4018379 02.5043.10.00
95	ANGULAR BALL BEARING	4014995 02.6450.15.00 waterproof 4014992 02.6450.11.00
96	LOCKING RING	Ø80 706991 02.5605.81.90
98	CAP	Ø80,5 4016158 03.211.02.10.0
111	PLUG	4018346 02.3704.65.00
	ASSEMBLY KIT Pos. 95, 96 and 31	4011945 05.803.04.35.0

FOR BRAKE CABLE ASSEMBLY SEE ALSO ETI-NO. 827029.

COMPLETE TRAILING ARM-GRP AND RUBBER SPRING ROLL, RESP. TORSION BAR SPRING ON REQUEST

RETAIL SALE OF BRAKESHOE IS NOT ALLOWED ACCORDING TO EU-DIREKTIVE 2002/78/EG FROM 01ST OCTOBER 2002!

ATTENTION: THE SET INCLUDES 4 BRAKESHOES WITH THE CORRESPONDING PULL SPRINGS, REBOUND SPRING AND COVER PLATE!

provided	ETI-No.	changed	Change No.	Reason of the change	Revisions-No.
24.05.18 P.S.	827030_en				