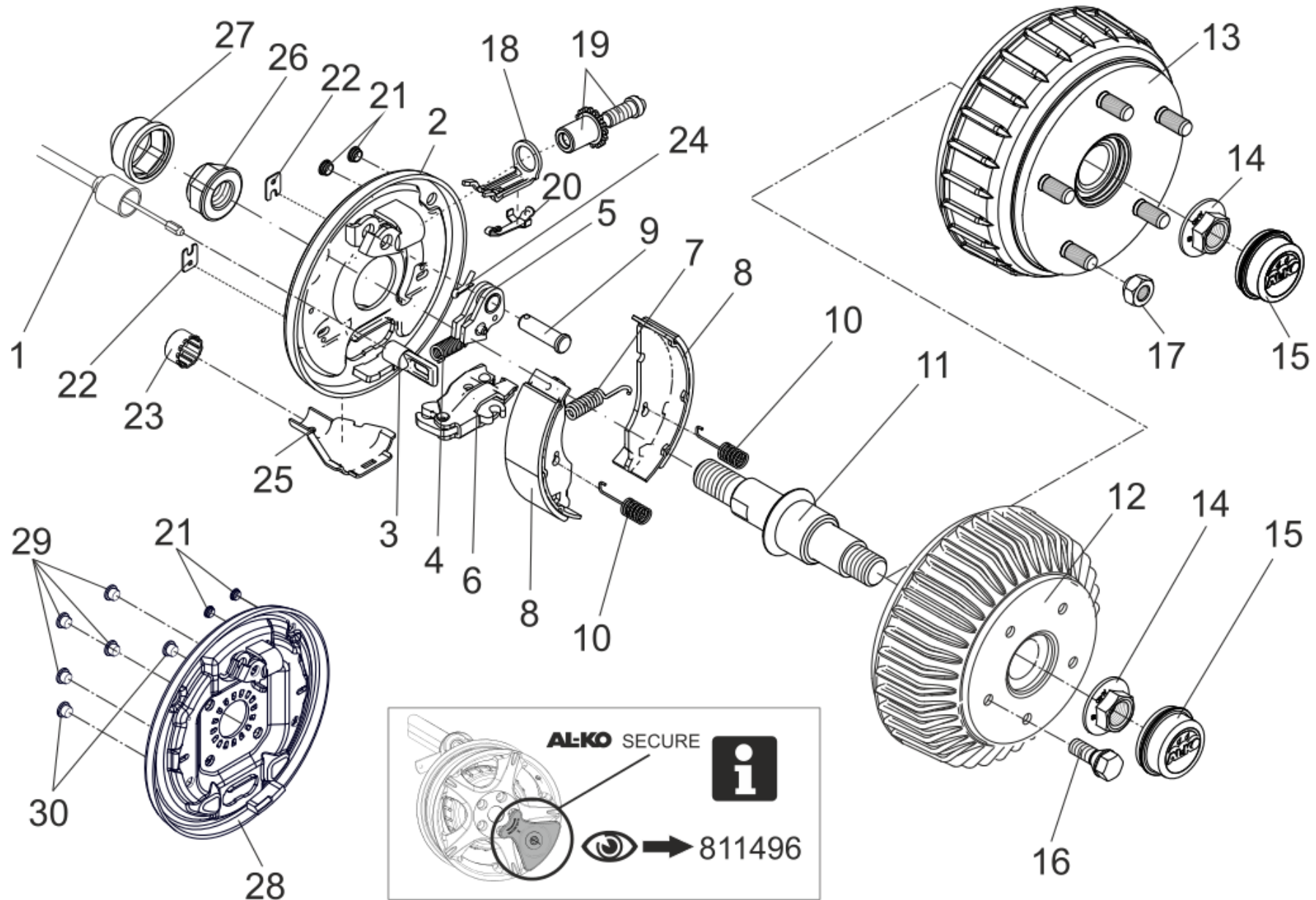


Wheel brake EURO1 2361 CB1800 waterproofed (807014)



Wheel brake EURO1 2361 CB1800 waterproofed (807014)

| Item no. | Article no. | Description | Quantity | Unit | Remark |
|----------|-------------|---|----------|------|--|
| 1 | 247281 | Bowden cable PROFILONG LIFE 350/546 | 1 | PC | |
| 1 | 247282 | Bowden cable PROFILONG LIFE 530/726 | 1 | PC | |
| 1 | 247283 | Bowden cable PROFILONG LIFE 770/966 | 1 | PC | |
| 1 | 247284 | Bowden cable PROFILONG LIFE 890/1086 | 1 | PC | |
| 1 | 247285 | Bowden cable PROFILONG LIFE 1020/1216 | 1 | PC | |
| 1 | 247286 | Bowden cable PROFILONG LIFE 1130/1326 | 1 | PC | |
| 1 | 247287 | Bowden cable PROFILONG LIFE 1320/1516 | 1 | PC | |
| 1 | 247288 | Bowden cable PROFILONG LIFE 1430/1626 | 1 | PC | |
| 1 | 247289 | Bowden cable PROFILONG LIFE 1620/1816 | 1 | PC | |
| 1 | 247290 | Bowden cable PROFILONG LIFE 1790/1986 | 1 | PC | |
| 2 | 572373 | Braking plate right 2361 | 1 | PC | |
| 2 | 572372 | Braking plate left 2361 | 1 | PC | |
| 3 | 604262 | Connection eye wheel brake 1637/2051/2361 | 1 | PC | The open side of the connection eye for the bowden cable must show to the centre of rotation of the brake lever. |
| 4 | 2187370003 | Tension spring | 1 | PC | |
| 5 | 571386 | Auto reserve lever cpl. left | 1 | PC | |
| 5 | 571387 | Auto reserve lever cpl. right | 1 | PC | |
| 6 | 571510 | Expanding joint lock compl. 2051/2361 | 1 | PC | The center of rotation of the brake lever must be fixed on the same side as the bolt of the auto-reverse. |

Wheel brake EURO1 2361 CB1800 waterproofed (807014)

| Item no. | Article no. | Description | Quantity | Unit | Remark |
|----------|-------------|--|----------|------|---|
| 7 | 2082000007 | Tension spring | 1 | PC | |
| 8 | 1213890 | Set brake shoe 2360/2361 | 1 | PC | |
| 9 | 368651 | Bearing bolt | 1 | PC | |
| 10 | 2088800003 | Compression spring | 1 | PC | |
| 11 | 1807791 | Stub axle Ø42 bend 0° | 1 | PC | |
| 12 | 1224806 | Spare parts set bearing wheel brake 2361 waterproofed | 1 | PC | |
| 12 | 1932119 | SP-set brake drum 2361 cpl. with waterproof bearing; 112x5 - M12x1,5 | 1 | PC | |
| 13 | 1224806 | Spare parts set bearing wheel brake 2361 waterproofed | 1 | PC | Includes ball bearings waterproof, locking ring 78x2.5 and flange nut |
| 13 | 1654673 | Brake drum cpl. 165,1x5 waterproofed | 1 | PC | |
| 14 | 582506 | Flange nut M27x2 | 1 | PC | |
| 15 | 1337300 | Sealing cap Ø65 watertight | 1 | PC | |
| 16 | 2081670018 | Wheel bolt conical 60° M12x1,5x24 | 1 | PC | |
| 16 | 2081670020 | Wheel bolt sperical M12x1,5 x25 | 1 | PC | |
| 17 | 1557235 | Wheel nutM16x1,5 cone 80° | 1 | PC | |
| 18 | 368361 | Bow pressure | 1 | PC | |
| 19 | 21873708 | Regulation unit wheel brake | 1 | PC | |
| 20 | 368405 | Compound spring | 1 | PC | |
| 21 | 373245 | Plug RAL6002 | 1 | PC | |
| 22 | 2382610002 | Cover plate | 1 | PC | |

Wheel brake EURO1 2361 CB1800 waterproofed (807014)

| Item no. | Article no. | Description | Quantity | Unit | Remark |
|----------|-------------|---|----------|------|---|
| 23 | 371389 | Protective cap | 1 | PC | |
| 24 | 700192 | Split pin 4x20 DIN 94 (at drawing) | 1 | PC | |
| 25 | 371387 | Brake cable shell 1637-2361 | 1 | PC | |
| 26 | 703112 | Hexagon lock nut M30 according to drawing | 1 | PC | For safety reasons: Self locking nuts and screws with chemical self locking must be used once. After untighten always use a new part. |
| 27 | 582542 | Protective cap | 1 | PC | |
| 28 | 692566 | Braking plate welded left 2361 wash-design | 1 | PC | |
| 28 | 692567 | Braking plate welded right 2361 wash-design | 1 | PC | |
| 29 | 691945 | Seal plug for SECURE-brake plate | 1 | PC | |
| 30 | 693099 | Seal plug | 1 | PC | |