

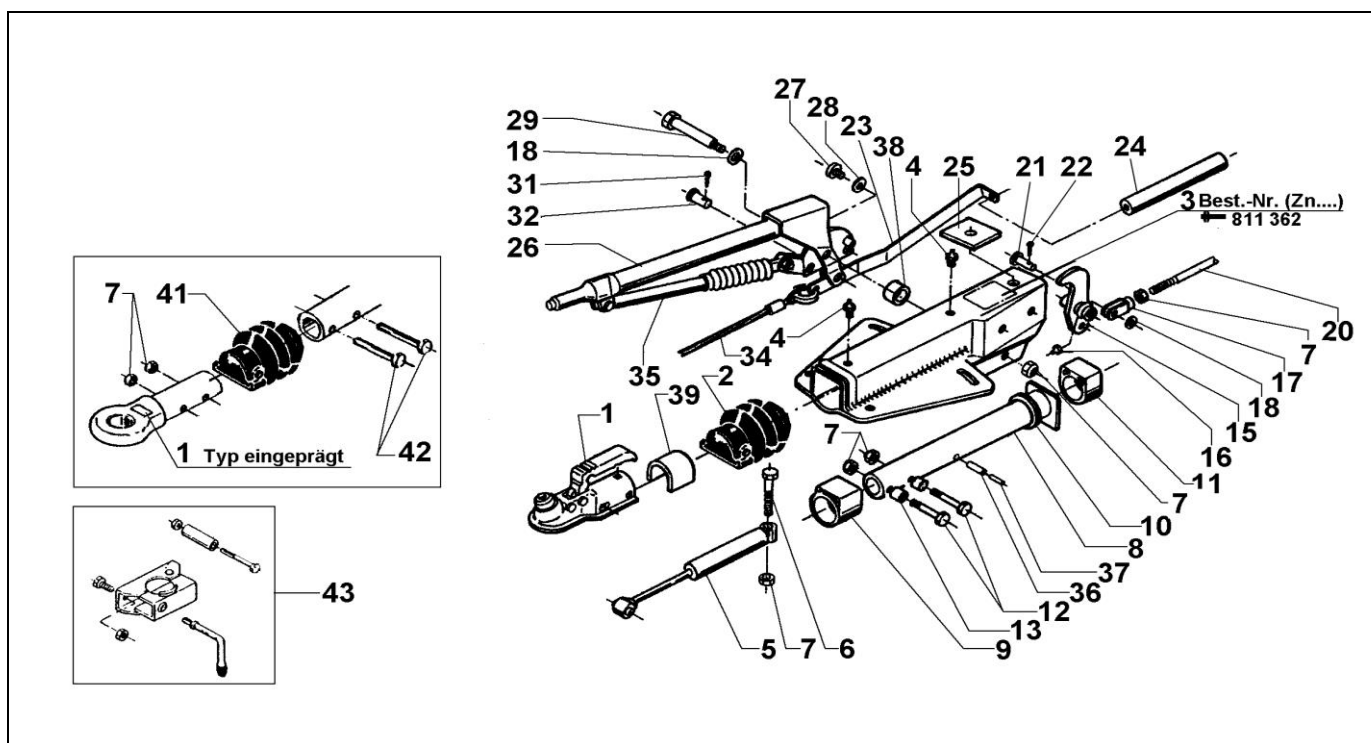
OVERRUN DEVICE 351 ZA

ETI- No. 811362

(Specify the order with the ETI No.)

AL-KO

Spare Parts



Item	Description	Part No.
1	COUPLING (WITHOUT FIXING MATERIAL) DRAWBAR EYE (WITHOUT FIXING MATERIAL)	1224333 ORDER BY TYPE
2	BELLOWS	607133
3	BODY CPL. WITH BUSHS OVERRUN DEVICE	*
4	GREASE NIPPLE AM 8x1	675900
5	SHOCK ABSORBER	1204577
6	BOLT HEX M12x90	702823
7	NUT HEX M12 DIN 980	704065
8	DRAWBTUBE	647453
9	BUSH (NOT RUB OUT)	353943
10	ADDUCTIONRING	371372
11	BUSH (NOT RUB OUT)	353942
12	BOLT HEX M12x90 (FOR AK 350)	702823
13	SPACER TUBE	647923
15	BELL CRANK CPL.**	iH = 100:30 649511 iH = 100:26 571724 iH = 100:28 571712
16	GREASE NIPPLE AM 6	700203
17	FORK HEAD	571721
18	WASHER A13	700140
20	CONNECTION ROD	INDICATE LENGTH
21	BOLT	581555
22	SPLINT 3,2x20	702004
23	TENSION BINDER	581533
24	SPRINGCYLINDER	1363289

Item	Description	Part No.
25	END STOP PLATE	647456
26	HAND BRAKE LEVER CPL ***	243024
27	BOLT HEX M12x25	703340
28	SPRING RING B12	703339
29	BEARING BOLT	357550
31	SPLINT 3,2x20	702004
32	BOLT HEX M12x25	358533
34	BRAKE AWAY CABLE	209385
35	GASSPRING	353188
36	SPRING DOWEL PIN 12x48	704408
37	SPRING DOWEL PIN 7x45	704407
38	BUSH	358470
39	BUSH (FOR AK 350) BUSH 2x (FOR AK 351)	606653 1362789
41	BELLOWS	366356
42	BOLT HEX M12x60	702749
43	CLAMP FOR TUBE 48 (RETROFIT KIT COULD ADD ON OPITONALLY)	293020

* AT THE TIME OF ORDER SEE GRAVE DRAWING-NO. OVERRUN DEVICE

** INCL. GREASE NIPPLE (POS 16), FORK HEAD (POS 17), WASHER (POS 18), BOLT (POS 21) AND SPLINT (POS 22)

*** INCL. GASSPRING (POS 35)

provided	ETI-No.	changed	Change No.	Reason of the change	Revisions-No.
01.01.00	811362_en	18.03.2011	FREIGABE		A
		20.03.2014 ÖJ	17771	SEE CHANGE	B