

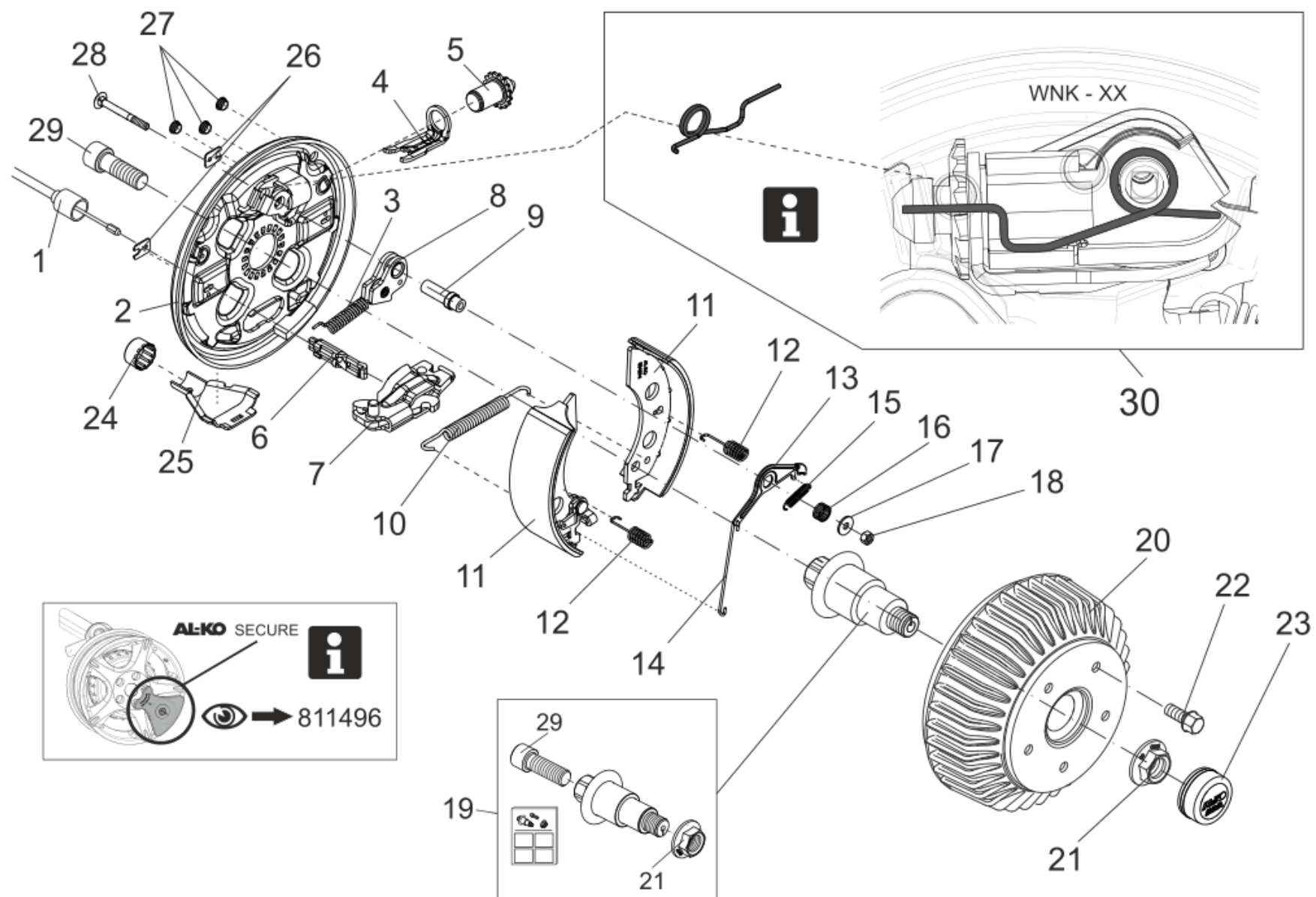
811969

Inhaltsverzeichnis

Wheel brake EURO 1 2051Ab AAA bearing Ø39 M22 (811969)

3

Wheel brake EURO 1 2051Ab AAA bearing Ø39 M22 (811969)



Wheel brake EURO 1 2051Ab AAA bearing Ø39 M22 (811969)

Item no.	Article no.	Description	Quantity	Unit	Remark
1	247281	Bowden cable COMPACT 350/546 long PROFI LONG LIFE	1	PC	
1	247282	Bowden cable COMPACT 530/726 long PROFI LONG LIFE	1	PC	
1	247283	Bowden cable COMPACT 770/966 long PROFI LONG LIFE	1	PC	
1	247284	Bowden cable COMPACT 890/1086 long PROFI LONG LIFE	1	PC	
1	247285	Bowden cable COMPACT 1020/1216 long PROFI LONG LIFE	1	PC	
1	247286	Bowden cable COMPACT 1130/1326 long PROFI LONG LIFE	1	PC	
1	247287	Bowden cable 1320/1516 long PROFILONG LIFE	1	PC	
1	247288	Bowden cable COMPACT 1430/1626 long PROFI LONG LIFE	1	PC	
1	247289	Bowden cable COMPACT 1620/1816 long PROFI LONG LIFE	1	PC	
1	247290	Bowden cable COMPACT 1790/1986 long PROFI LONG LIFE	1	PC	
2	1650403	Braking plate welded left 2051 AAA	1	PC	
2	1650404	Braking plate welded right 2051 AAA	1	PC	
3	2187370003	Tension spring	1	PC	
4	368361	Bow pressure	1	PC	
5	1650416	Regulation unit left wheel brake 2051/2361 AAA	1	PC	

Wheel brake EURO 1 2051Ab AAA bearing Ø39 M22 (811969)

Item no.	Article no.	Description	Quantity	Unit	Remark
5	1650417	Regulation unit right wheel brake2051/2361 AAA	1	PC	
6	604262	Connection eye wheel brake 1637/2051/2361	1	PC	The open side of the connection eye for the bowden cable must show to the centre of rotation of the brake lever.
7	1650407	Spread hinge lock cpl. 2051/2361 left AAA	1	PC	
7	1650408	Spread hinge lock cpl. 2051/2361 right AAA	1	PC	The center of rotation of the brake lever must be fixed on the same side as the bolt of the auto-reverse.
8	571386	Auto reserve lever cpl. left	1	PC	
8	571387	Auto reserve lever cpl. right	1	PC	
9	1650429	Bearing bolt 2051/2361 AAA	1	PC	
10	2082000007	Tension spring	1	PC	
11	1730057	Spare parts set brake jaw 2051 AAA	1	PC	
12	2088800003	Compression spring	2	PC	
13	1650468	Adjusting lever left2051 AAA	1	PC	
13	1650469	Adjusting lever right2051 AAA	1	PC	
14	1650474	Connecting wire 2051 AAA	1	PC	
15	1651237	Tension spring 2051/2361 AAA	1	PC	
16	694449	Compression spring 2051/2361 AAA	1	PC	
17	705405	washer 6,4 DIN 9021-ST	1	PC	
18	706012	hexnut M6 DIN 980-V-8	1	PC	

The retail of individual brake shoes is not permitted by EU-directive from 1st of October 2002.

Wheel brake EURO 1 2051Ab AAA bearing Ø39 M22 (811969)

Item no.	Article no.	Description	Quantity	Unit	Remark
19	1732674	Spare parts set stub axle unbraked bearing Ø39 M22	1	PC	
20	1224803	Spare parts set bearing wheel brake 2051 1500kg	1	PC	
20	1366906	Brake drum cpl. 112x5	1	PC	
20	1366895	Brake drum cpl. 139,7x6	1	PC	
20	1313898	Brake drum cpl. 118x5	1	PC	
20	1368727	Brake drum cpl. 139,7x5	1	PC	
20	623029	Brake drum cpl. 127x5	1	PC	
20	586450	Brake drum cpl. 112x5-M12x1,5 at 750 kg	1	PC	
20	578826	Brake drum cpl. 139,7x4-M12x1,5 at 750 kg	1	PC	
20	578825	Brake drum cpl. 140x5-M14x1,5 at 750 kg	1	PC	
20	569775	Brake drum cpl. 140x5-M12x1,5 at 750 kg with flange	1	PC	
20	569763	Brake drum cpl. 130x4-M14x1,5	1	PC	
21	581200	Flange nut M24x1,5	1	PC	
22	2081670020	Wheel bolt sperical M12x1,5 x25	1	PC	
22	2081670018	Wheel bolt conical 60° M12x1,5x24	1	PC	
22	372138	Wheel bolt sperical M12x1,5 x25	1	PC	
23	1651768	End cap Ø57 RB2051 AAA	1	PC	
24	371389	Protective cap	1	PC	
25	371387	Brake cable shell	1	PC	
26	2382610002	Cover plate	2	PC	

The retail of individual brake shoes is not permitted by EU-directive from 1st of October 2002.

Wheel brake EURO 1 2051Ab AAA bearing Ø39 M22 (811969)

Item no.	Article no.	Description	Quantity	Unit	Remark
27	694430	Plug RAL3000	3	PC	
28	706316	Round-head screw M6x60 DIN 603 8.8	1	PC	
29	706900	Cylinder screw M22X60 DIN 912 at drawing	1	PC	For safety reasons: Self locking nuts and screws with chemical self locking must be used once. After untighten always use a new part.
30	1806463	Centering bracket left 2051/2361AAA	1	PC	
30	1807220	Centering bracket right 2051/2361AAA	1	PC	The centering brace is only installed from quarter 2/2019 if the Marking WNK -.... is present on the brake plate.