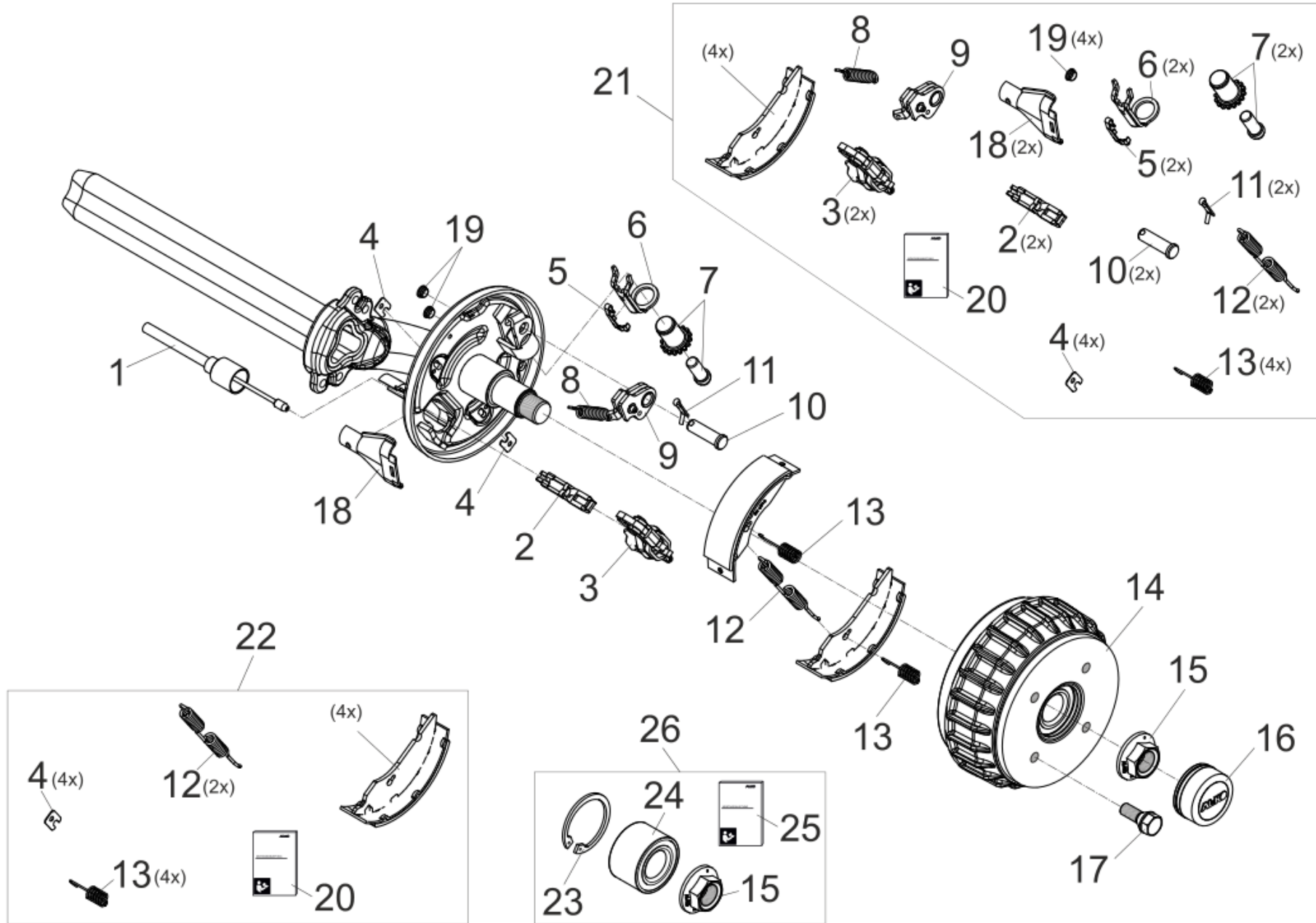


Wheel brake 1637 welded with compact bearing (807065)



Wheel brake 1637 welded with compact bearing (807065)

Item no.	Article no.	Description	Quantity	Unit	Remark
1	247281	Bowden cable attachable / nipple	1	PC	
1	247282	Bowden cable attachable / nipple	1	PC	
1	247283	Bowden cable attachable / nipple	1	PC	
1	247284	Bowden cable attachable / nipple	1	PC	
1	247285	Bowden cable attachable / nipple	1	PC	
1	247286	Bowden cable attachable / nipple	1	PC	
1	247287	Bowden cable attachable / nipple	1	PC	
1	247288	Bowden cable attachable / nipple	1	PC	
1	247289	Bowden cable attachable / nipple	1	PC	
1	247290	Bowden cable attachable / nipple	1	PC	
2	604262	Connection eye wheel brake 1637/2051/2361	1	PC	The open side of the connection eye for the bowden cable must show to the centre of rotation of the brake lever.
3	570666	Expanding joint lock compl.	1	PC	The center of rotation of the brake lever must be fixed on the same side as the bolt of the auto-reverse.
4	2382610002	Cover plate	1	PC	
5	581879	Compound spring	1	PC	
6	581878	Bow pressure	1	PC	
7	387706	Regulation unit wheel brake 1637	1	PC	
8	372805	Tension spring right	1	PC	

Wheel brake 1637 welded with compact bearing (807065)

Item no.	Article no.	Description	Quantity	Unit	Remark
8	2188870001	Tension spring left	1	PC	
9	384308	Auto reserve lever cpl. left	1	PC	
9	384309	Auto reserve lever cpl. right	1	PC	
10	368651	Bearing bolt	1	PC	
11	700192	Split pin 4x20 DIN 94 (at drawing)	1	PC	
12	2182150003	Tension spring	1	PC	
13	2088800003	Compression spring	1	PC	
14	623748	Brake drum compl. 98x4-M12x1.5	1	PC	
14	623749	Brake drum compl. 100x4-M12x1,5	1	PC	
14	623750	Brake drum compl. 112x5	1	PC	
14	1370516	Brake drum cpl. 130x4	1	PC	
14	1370886	Brake drum cpl. 115x4	1	PC	
15	581200	Flange nut M24x1.5	1	PC	For safety reasons: Self locking nuts and screws with chemical self locking must be used once. After untighten always use a new part.
16	581197	Sealing cap Ø57	1	PC	
17	L14637004	Wheel bolt sperical M14x1,5 x19	1	PC	
17	2081670020	Wheel bolt sperical M12x1,5 x25	1	PC	
17	2081670018	Wheel bolt conical 60° M12x1,5x24	1	PC	
17	2081670002	Wheel bolt sperical M14x1,5 x25	1	PC	
18	371387	Brake cable shell	1	PC	

Wheel brake 1637 welded with compact bearing (807065)

Item no.	Article no.	Description	Quantity	Unit	Remark
19	373245	Plug RAL6002	1	PC	
20	1303600	Assembly instruction for exchange brake shoes	1	PC	
21	1213885	Set brake shoe for one axle 1637	1	PC	
22	1213888	Set brake shoe for one axle 1635/1636/1637	1	PC	
23	704158	Retaining ring 60x3 DIN 472	1	PC	
24	581736	Angular ball bearing double row Ø30/Ø60x37mm	1	PC	
25	1365773	Assembly instruction for exchange compact bearing	1	PC	
26	1224800	Spare parts set bearing (Ø60/Ø30/37) wheel brake 1637	1	PC	