

HEIGHT-ADJUSTABLE OVERRUN DEVICES

(DRAWBARS)

with ZAV towbar connection,

permitted gross weight 1,200 kg - 3,500 kg

ZAV 1.6-5 / ZAV 2.0-5



| Permitted Gross weight [kg] | Sales designation | Overrun device | Order No. | Reference No. | Dimensions [mm] | | | | | Permitted nose load [kg] | Combined wheel brakes (RABK) | ECE test code | Weight [kg] | | | | |
|-----------------------------|-------------------|----------------|-------------|---------------|-----------------|---------|---------------|---------|-----|--------------------------|------------------------------|----------------|-------------|-------------------------------|-------------------------------|----------------|-------|
| | | | | | K | A | L | B | V | | | | | | | | |
| 1,200-1,600 | ZAV 1.6-5 | AE 2.7-1 D | 4020607 | 47.29.470.065 | sq.120 | 535 | 1900 | 0-693 | 800 | 150 | S1704-7 S2005-7 | E1 55R-01 1284 | 95.0 | | | | |
| | | | 4020607 | 47.29.470.066 | sq.120 | 535 | 2300 | 0-693 | 800 | 150 | | E1 55R-01 1284 | 103.0 | | | | |
| | | | 4021592 | 47.29.470.067 | sq.120 | 535 | 2500 | 0-693 | 800 | 150 | | E1 55R-01 1284 | 106.0 | | | | |
| | | | 4021593 | 47.29.470.068 | sq.120 | 535 | 2800 | 0-693 | 800 | 150 | | E1 55R-01 1284 | 113.0 | | | | |
| | | | 4014059 | 47.29.470.064 | sq.120 | 535 | 1900 | 0-520 | 600 | 150 | | E1 55R-01 1284 | 88.0 | | | | |
| | | | 4020433 | 47.29.470.063 | sq.120 | 535 | 2300 | 0-520 | 600 | 150 | | E1 55R-01 1284 | 96.0 | | | | |
| | | | 4021594 | 47.29.470.062 | sq.120 | 535 | 2500 | 0-520 | 600 | 150 | | E1 55R-01 1284 | 99.0 | | | | |
| | | | 4021595 | 47.29.470.061 | sq.120 | 535 | 2800 | 0-520 | 600 | 150 | | E1 55R-01 1284 | 106.0 | | | | |
| | | | 1,500-2,000 | ZAV 2.0-5 | AE 2.7-1 C | 4014079 | 47.36.470.115 | sq.120 | 535 | 1900 | | 0-693 | 800 | 150 | S1704-7 S2005-7 S2504-7 | E1 55R-01 1284 | 95.0 |
| | | | | | | 4014078 | 47.36.470.114 | sq.120 | 535 | 2300 | | 0-693 | 800 | 150 | | E1 55R-01 1284 | 103.0 |
| 4021596 | 47.36.470.113 | sq.120 | | | | 535 | 2500 | 0-693 | 800 | 150 | E1 55R-01 1284 | 106.0 | | | | | |
| 4021597 | 47.36.470.112 | sq.120 | | | | 535 | 2800 | 0-693 | 800 | 150 | E1 55R-01 1284 | 113.0 | | | | | |
| 4014073 | 47.36.470.099 | sq.120 | | | | 535 | 1900 | 0-520 | 600 | 150 | E1 55R-01 1284 | 88.0 | | | | | |
| 4014075 | 47.36.470.109 | sq.120 | | | | 535 | 2300 | 0-520 | 600 | 150 | E1 55R-01 1284 | 96.0 | | | | | |
| 4014074 | 47.36.470.108 | sq.120 | | | | 535 | 2500 | 0-520 | 600 | 150 | E1 55R-01 1284 | 99.0 | | | | | |
| 4021598 | 47.36.470.107 | sq.120 | | | | 535 | 2800 | 0-520 | 600 | 150 | E1 55R-01 1284 | 106.0 | | | | | |
| 1,860-2,700 | ZAV 2.7-4 | AE 2.7-1 A | | | | 4014120 | 47.43.470.085 | 150x132 | 535 | 1900 | 0-693 | 800 | 150 | S2005-7 S2504-7 S3006-5 | | E1 55R-01 1171 | 103.0 |
| | | | | | | 4021599 | 47.43.470.086 | 150x132 | 535 | 2280 | 0-693 | 800 | 150 | | | E1 55R-01 1171 | 111.0 |
| | | | 4021600 | 47.43.470.087 | 150x132 | 535 | 2500 | 0-693 | 800 | 150 | E1 55R-01 1171 | 117.0 | | | | | |
| | | | 4014121 | 47.43.470.088 | 150x132 | 535 | 2800 | 0-693 | 800 | 150 | E1 55R-01 1171 | 125.0 | | | | | |
| | | | 4014117 | 47.43.470.081 | 150x132 | 535 | 1900 | 0-520 | 600 | 150 | E1 55R-01 1171 | 96.0 | | | | | |
| | | | 4022435 | 47.43.470.082 | 150x132 | 535 | 2280 | 0-520 | 600 | 150 | E1 55R-01 1171 | 104.0 | | | | | |
| | | | 4014118 | 47.43.470.083 | 150x132 | 535 | 2500 | 0-520 | 600 | 150 | E1 55R-01 1171 | 110.0 | | | | | |
| | | | 4014119 | 47.43.470.084 | 150x132 | 535 | 2800 | 0-520 | 600 | 150 | E1 55R-01 1171 | 118.0 | | | | | |
| | | | 2,500-3,500 | ZAV 3.5-1 | AE 3.5-1 A | 4014138 | 47.51.470.039 | sq.120 | 535 | 1900 | 0-767 | 875 | 150 | | S2005-7 S2504-7 S3006-5 | E1 55R-01 0798 | 137.0 |
| | | | | | | 4014139 | 47.51.470.040 | sq.120 | 535 | 2300 | 0-767 | 875 | 150 | | | E1 55R-01 0798 | 148.0 |
| 4014140 | 47.51.470.041 | sq.120 | | | | 535 | 2500 | 0-767 | 875 | 150 | E1 55R-01 0798 | 153.0 | | | | | |
| 4014141 | 47.51.470.042 | sq.120 | | | | 535 | 2800 | 0-767 | 875 | 150 | E1 55R-01 0798 | 162.0 | | | | | |

FD, see Technical information

ZAV 2.7-4

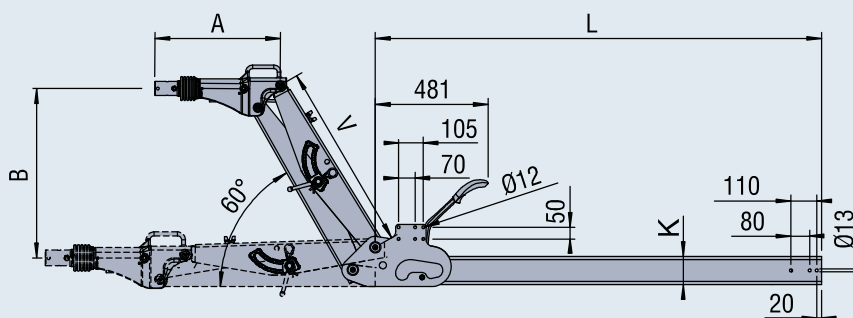


ZAV 3.5-1

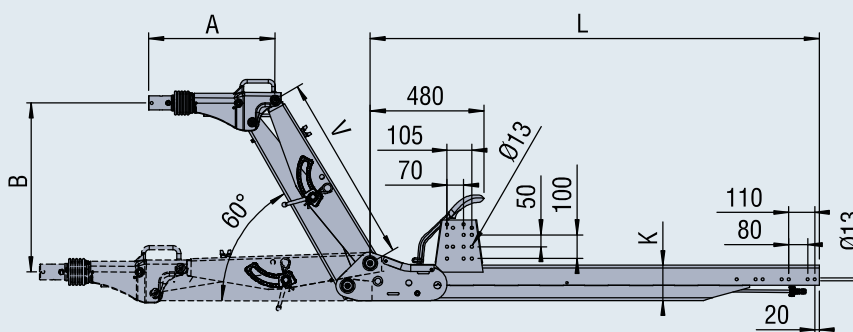


3

ZAV 1.6-5 / ZAV 2.0-5



ZAV 2.7-4



ZAV 3.5-1

