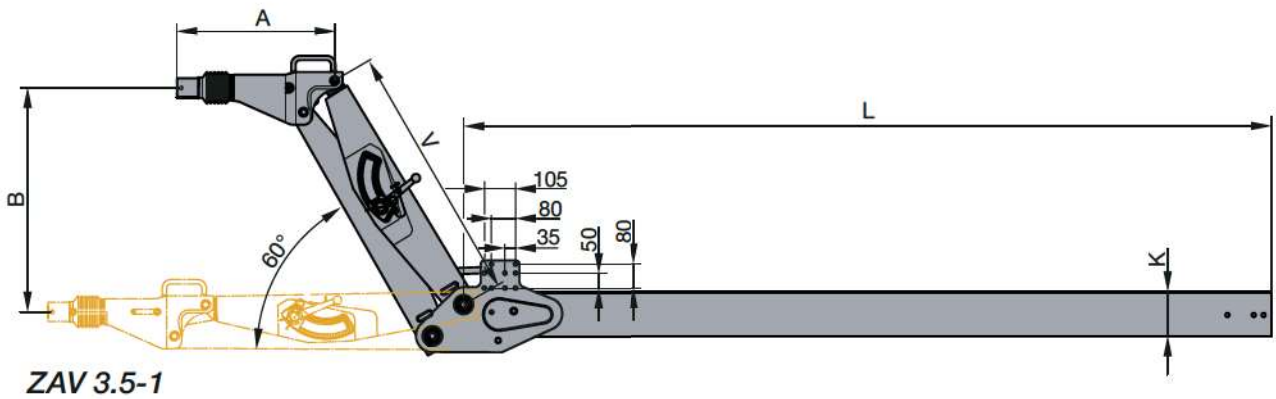
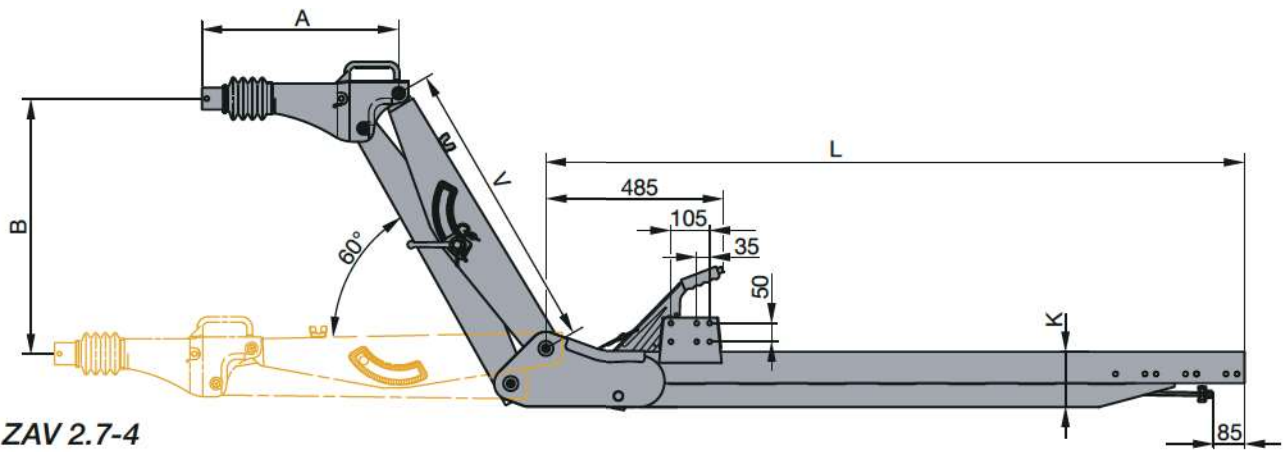
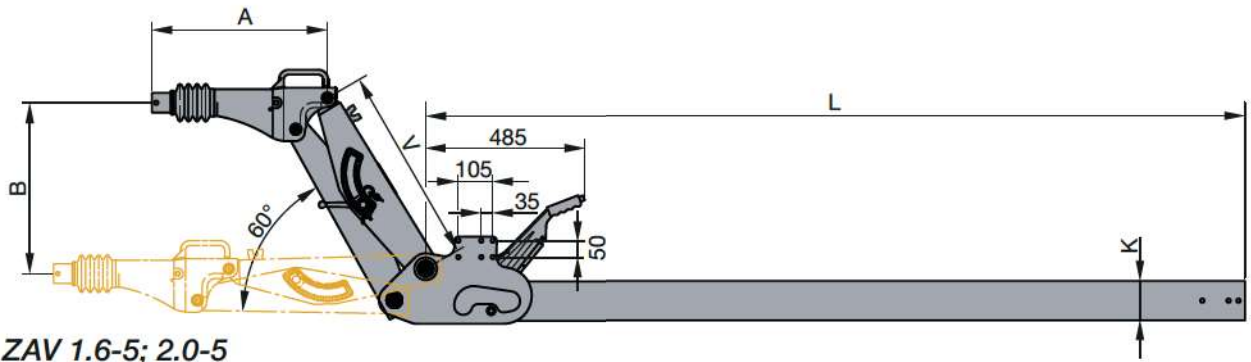


1.4 ZAV drawbars with towing attachment, adjustable height, gross vehicle weight rating up to 3500 kg



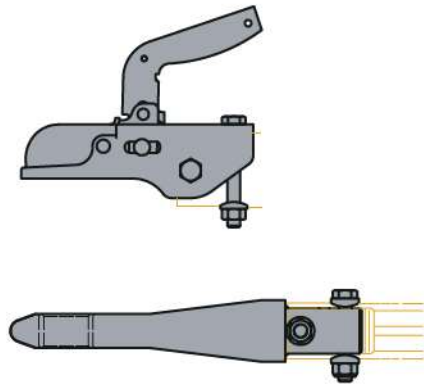
The towing attachment for the professionals: Features include a protected, internal transmission device with a straightforward and fast height adjustment function up to 1,100 mm hitching height (even with the handbrake applied) and integrated jockey wheel holder, as well as the hot-dip galvanised surface. The whole unit is supplied ready-to-install – a product that satisfies all requirements.

Gross vehicle weight rating [kg]	Marketed under	Overrun hitch	Order no.	K	Dimensions [mm]					Permitted drawbar load [kg]	EC test symbol	Weight [kg]
					A	L	B	V				
1200-1600	ZAV 1.6-5	AE 2.7-1 D	47.29.470.048	sq.120	535	1900	0-693	800	150	e1*1284*94/20	95.0	
			47.29.470.049	sq.120	535	2300	0-693	800	150	e1*1284*94/20	103.0	
			47.29.470.050	sq.120	535	2500	0-693	800	150	e1*1284*94/20	106.0	
			47.29.470.051	sq.120	535	2800	0-693	800	150	e1*1284*94/20	113.0	
			47.29.470.052	sq.120	535	1900	0-520	600	150	e1*1284*94/20	88.0	
			47.29.470.053	sq.120	535	2300	0-520	600	150	e1*1284*94/20	96.0	
			47.29.470.054	sq.120	535	2500	0-520	600	150	e1*1284*94/20	99.0	
			47.29.470.055	sq.120	535	2800	0-520	600	150	e1*1284*94/20	106.0	
1500-2000	ZAV 2.0-5	AE 2.7-1 C	47.36.470.077	sq.120	535	1900	0-693	800	150	e1*1284*94/20	95.0	
			47.36.470.078	sq.120	535	2300	0-693	800	150	e1*1284*94/20	103.0	
			47.36.470.079	sq.120	535	2500	0-693	800	150	e1*1284*94/20	106.0	
			47.36.470.080	sq.120	535	2800	0-693	800	150	e1*1284*94/20	113.0	
			47.36.470.081	sq.120	535	1900	0-520	600	150	e1*1284*94/20	88.0	
			47.36.470.082	sq.120	535	2300	0-520	600	150	e1*1284*94/20	96.0	
			47.36.470.083	sq.120	535	2500	0-520	600	150	e1*1284*94/20	99.0	
			47.36.470.084	sq.120	535	2800	0-520	600	150	e1*1284*94/20	106.0	
1860-2700	ZAV 2.7-4	AE 2.7-1 A	47.43.470.035	150x132	535	1900	0-693	800	150	e1*1171*94/20	103.0	
			47.43.470.041	150x132	535	2280	0-693	800	150	e1*1171*94/20	111.0	
			47.43.470.036	150x132	535	2500	0-693	800	150	e1*1171*94/20	117.0	
			47.43.470.037	150x132	535	2800	0-693	800	150	e1*1171*94/20	125.0	
			47.43.470.047	150x132	535	1900	0-520	600	150	e1*1171*94/20	96.0	
			47.43.470.053	150x132	535	2280	0-520	600	150	e1*1171*94/20	104.0	
			47.43.470.048	150x132	535	2500	0-520	600	150	e1*1171*94/20	110.0	
			47.43.470.049	150x132	535	2800	0-520	600	150	e1*1171*94/20	118.0	
2500-3500	ZAV 3.5-1	AE 3.5-1 A	47.51.470.039	sq.150	535	1900	0-767	875	150	e1*0798*94/20	137.0	
			47.51.470.040	sq.150	535	2300	0-767	875	150	e1*0798*94/20	148.0	
			47.51.470.041	sq.150	535	2500	0-767	875	150	e1*0798*94/20	153.0	
			47.51.470.042	sq.150	535	2800	0-767	875	150	e1*0798*94/20	162.0	

FD see pages 144/147

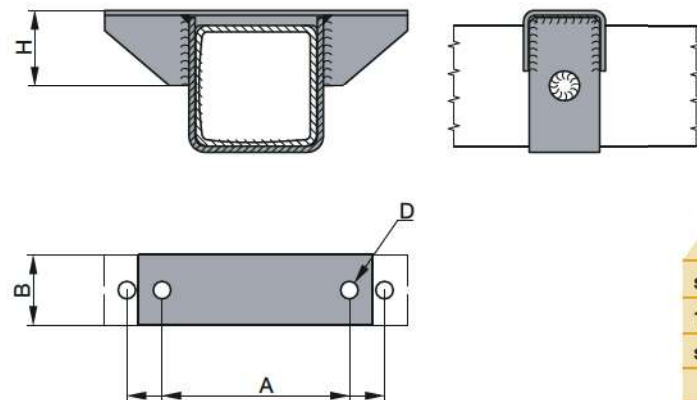


1.4 ZAV drawbars with towing attachment, adjustable height, gross vehicle weight rating up to 3500 kg

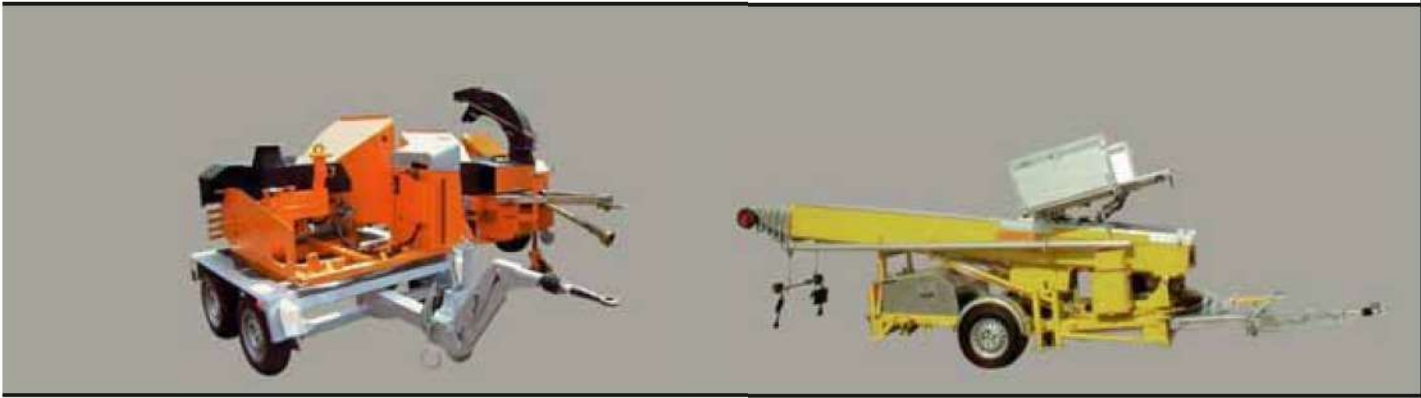


	ZAV 1,6-5; 2,0-5; 2,7-4	ZAV 3,5-1
Ball hitch	05.803.11.15.0	05.801.90.38.0
DIN towing eye 40.0	05.803.11.12.0	05.870.00.06.0
NATO towing eye 76.0	05.801.90.86.0	05.801.90.46.0
Towing eye for Italy 45.0	05.801.90.90.0	05.801.90.82.0

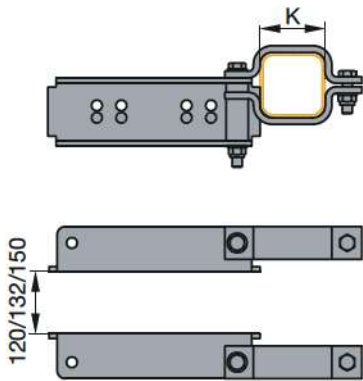
Support



for drawbar tube [mm]	Dimensions [mm]				Assembly parts group clamped connection Order no.
	H	D	A	B	
sq. 120	80	18	220	82	05.801.90.92.0
150x132	95	18	200	82	05.801.90.91.0
sq. 150	95	18	220	82	05.801.90.45.0

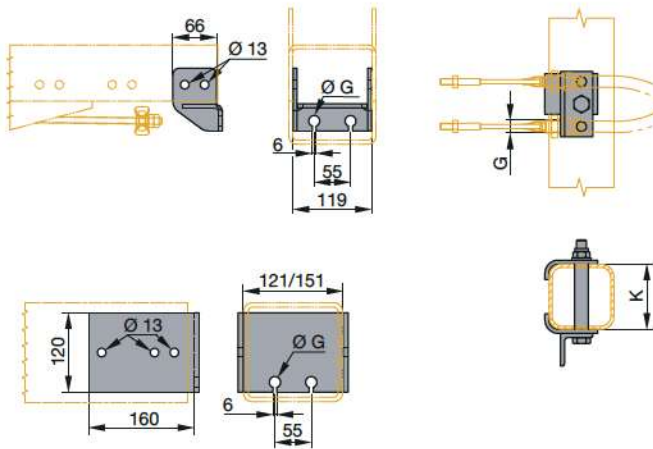


Axle connection



Axle tube k [mm]	Order no.
sq. 80	05.803.11.17.0
sq. 95	05.803.11.18.0
sq. 110	05.803.11.29.0

Cable support tube



Single axle

Tandem

For drawbar tube [mm]	Dimensions [mm]		Order no.
	Axle tube K	G	
Hose cable support single axle			
sq. 120 (ZAV 1.6-5; 2.0-5)	12.5		03.168.01.06.0
150x132 (ZAV 2.7-4)	17		03.160.10.99.0
sq. 150 (ZAV 3.5-1)	17		03.168.01.05.0
Hose cable support tandem			
	sq. 80	12.5	05.820.50.31.0
	sq. 95	12.5	05.820.50.32.0

Tandem diagonal compensation



ZAV 1.6-5; 2.0-5; 2.7-4	ZAV 3.5-1
05.085.55.01.0	05.085.55.02.0
	05.085.55.08.0*

*For axle tube sq. 110