

# OVERRUN DEVICES WITH SQUARE TUBE (DRAWBARS)

with towbar connection, straight square version ZAAR,  
without clamping mount, permitted gross weight 750 kg - 2,800 kg

ZAAR 1.35-1 / 1.6-1 / 2.0-1



ZAAR 3.0-1



| Permitted gross weight [kg] | Sales designation | Type                | Order No. | Reference No. | K             | Dimensions [mm] |      |     | Perm. nose load [kg]          | Combined wheel brakes (RASX) | Weight [kg] |
|-----------------------------|-------------------|---------------------|-----------|---------------|---------------|-----------------|------|-----|-------------------------------|------------------------------|-------------|
|                             |                   |                     |           |               |               | HA              | L    |     |                               |                              |             |
| 750-1,350                   | ZAAR 1.35-1       | ZAAQ1.35-3 / ZDG7-3 | 4014228   | 48.25.181.101 | sq. 70 x 4.0  | 50              | 2100 | 100 | S1704-7<br>S2005-7            |                              | 37.4        |
|                             |                   |                     | 4014231   | 48.25.181.108 | sq. 70 x 4.0  | 50              | 2300 | 100 |                               |                              | 39.4        |
|                             |                   |                     | 4014227   | 48.25.181.099 | sq. 70 x 4.0  | 50              | 2500 | 100 |                               |                              | 41.3        |
|                             |                   |                     | 4014232   | 48.25.181.109 | sq. 70 x 4.0  | 50              | 3000 | 100 |                               |                              | 46.3        |
|                             |                   |                     | 4014233   | 48.25.181.110 | sq. 70 x 4.0  | 50              | 3500 | 100 |                               |                              | 51.2        |
| 800-1,600                   | ZAAR 1.6-1        | ZAAQ1.6 / ZDG7-3    | 4014308   | 48.29.181.055 | sq. 70 x 5.0  | 50              | 2100 | 100 | S1704-7<br>S2005-7<br>S2504-7 |                              | 38.15       |
|                             |                   |                     | 4014309   | 48.29.181.056 | sq. 70 x 5.0  | 50              | 2300 | 100 |                               |                              | 40.15       |
|                             |                   |                     | 4021411   | 48.29.181.043 | sq. 70 x 5.0  | 50              | 2500 | 100 |                               |                              | 42.05       |
|                             |                   |                     | 4014310   | 48.29.181.057 | sq. 70 x 5.0  | 50              | 3000 | 100 |                               |                              | 47.05       |
|                             |                   |                     | 4020914   | 48.29.181.058 | sq. 70 x 5.0  | 50              | 3500 | 100 |                               |                              | 51.95       |
| 1,250-2,000                 | ZAAR 2.0-1        | ZAAQ2.0 / ZDG8-3    | 4021609   | 48.36.181.073 | sq. 80 x 5.0  | 55              | 2100 | 100 | S1704-7<br>S2005-7<br>S2504-7 |                              | 40.7        |
|                             |                   |                     | 4014328   | 48.36.181.074 | sq. 80 x 5.0  | 55              | 2300 | 100 |                               |                              | 43.6        |
|                             |                   |                     | 4014329   | 48.36.181.075 | sq. 80 x 5.0  | 55              | 2500 | 100 |                               |                              | 46.4        |
|                             |                   |                     | 4014330   | 48.36.181.077 | sq. 80 x 5.0  | 55              | 3000 | 100 |                               |                              | 53.4        |
|                             |                   |                     | 4014331   | 48.36.181.078 | sq. 80 x 5.0  | 55              | 3000 | 100 |                               |                              | 60.4        |
| 1,800-2,800                 | ZAAR 3.0-1        | ZAAQ3.0 / ZDG10-3   | 4014435   | 48.46.181.001 | sq. 100 x 6.3 | 65              | 2100 | 100 | S2005-7<br>S2504-7<br>S3006-7 |                              | 49.0        |
|                             |                   |                     | 4014436   | 48.46.181.002 | sq. 100 x 6.3 | 65              | 2300 | 100 |                               |                              | 52.6        |
|                             |                   |                     | 4014437   | 48.46.181.003 | sq. 100 x 6.3 | 65              | 2500 | 100 |                               |                              | 56.2        |
|                             |                   |                     | 4014438   | 48.46.181.004 | sq. 100 x 6.3 | 65              | 3000 | 100 |                               |                              | 65.2        |
|                             |                   |                     | 4014439   | 48.46.181.005 | sq. 100 x 6.3 | 65              | 3500 | 100 |                               |                              | 74.2        |

FD, see Technical information

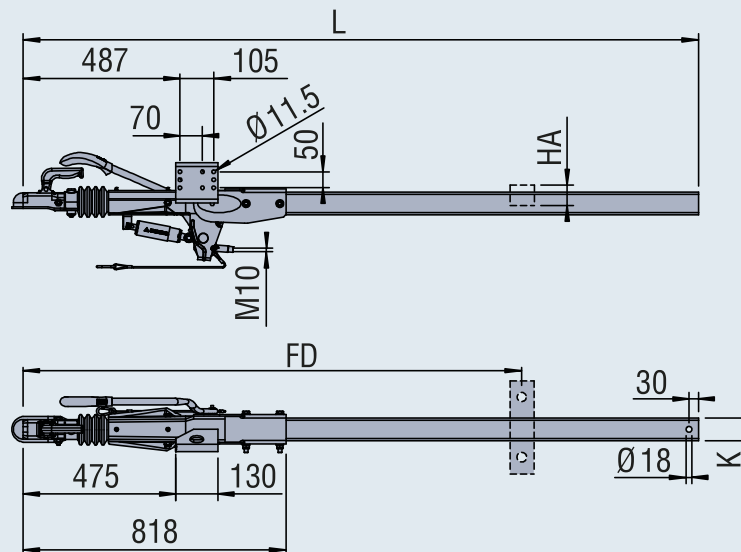
CONVERSION KITS FROM 1,350 TO 3,000 KG

|                       | Order No. |
|-----------------------|-----------|
| DIN drawbar eye 40.0  | 4011558   |
| NATO drawbar eye 76.0 | 4011559   |
| iSC 3.0 (stabiliser)  | 4011528   |

DETAILS

The square profile offers high stability and ensures a secure connection in every application. The hot-dip galvanised surface provides permanent corrosion protection.

ZAAR 1.35-1 / 1.6-1 / 2.0-1



ZAAR 3.0-1

