

HEIGHT-ADJUSTABLE OVERRUN DEVICES

(DRAWBARS)

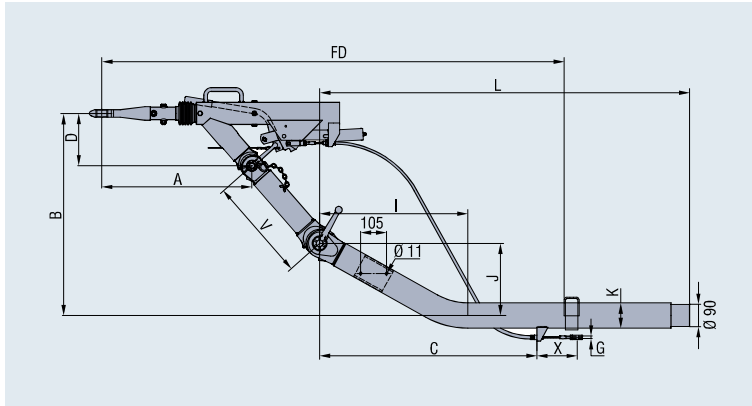
with ZKV towbar connection, with DIN drawbar eye,

permitted gross weight 650 kg - 3,500 kg



Permitted gross weight [kg]	Sales designation	Overrun device	Order No. incl. DIN drawbar eye	Reference No. incl. DIN drawbar eye		Combined wheel brakes (FA&K)	DIN drawbar eye, Order No.	MATD drawbar eye, Order No.	Italy drawbar eye, Order No.	France drawbar eye, Order No.	
650-1,300	ZKV 13.1 B	AK 1308	4014053	47.24.473.116	S1704-7 S2005-7	4008857	4008862	4008340	4008341		
			4021581	47.24.473.117		4008857	4008862	4008340	4008341		
			4014054	47.24.473.118		4008857	4008862	4008340	4008341		
650-1,300	ZKV 13.1 A	AK 1308	4021582	47.24.473.111		4008857	4008862	4008340	4008341		
			4021583	47.24.473.112		4008857	4008862	4008340	4008341		
			4021584	47.24.473.113		4008857	4008862	4008340	4008341		
1,300-2,000	ZKV 20.1 A	AK 2008	4014098	47.36.473.041		S1704-7 S2005-7 S2504-7	4008856	4008862	4008340	4008341	
			4021585	47.36.473.042			4008856	4008862	4008340	4008341	
			4014099	47.36.473.043			4008856	4008862	4008340	4008341	
1,300-2,000	ZKV 20.1 B	AK 2008	4019792	47.36.473.031	4008856		4008862	4008340	4008341		
			4021586	47.36.473.032	4008856		4008862	4008340	4008341		
			4021587	47.36.473.033	4008856		4008862	4008340	4008341		
1,910-2,700	ZKV 25.1 B	AK 3510 B	4021588	47.43.473.001	S2005-7 S2504-7		4008335	4008337	4021548	4008341	
			4014126	47.43.473.002			4008335	4008337	4021548	4008341	
			4021589	47.43.473.003			4008335	4008337	4021548	4008341	
1,910-2,700	ZKV 25.1 D	AK 3510 B	4014127	47.43.473.011		4008335	4008337	4021548	4008341		
			4021590	47.43.473.012		4008335	4008337	4021548	4008341		
			4021591	47.43.473.013		4008335	4008337	4021548	4008341		
2,500-3,500	ZKV 35.1 B	AK 3510 A	4014164	47.51.473.034		S2005-7	4008335	4008337	4021548	-	
			4014165	47.51.473.035		S2504-7	4008335	4008337	4021548	-	
			4022386	47.51.473.036		S3006-7	4008335	4008337	4021548	-	

FD, see Technical information



DETAILS

I Comfortable and flexible: Thanks to simple changing between ball hitch and drawbar eye and the variable hitch height, this drawbar is the universal connection to cars, SUVs and light commercial vehicles. A handle on the housing serves as a manoeuvring aid. The primed surface, optionally also hot-dip galvanised, provides permanent protection against corrosion.

K	Dimensions [mm]										Permitted nose load [kg]	ECE test code	Weight [kg]
	A	D	L	B	G	V	I	J	C	X			
Ø 88.9 x 8.8	617	210	1500	210-521	M 10	415	-	-	900	160	100	E1 55R-010205	75
Ø 88.9 x 8.8	617	210	1700	210-521	M 10	415	-	-	900	160	100	E1 55R-010205	78
Ø 88.9 x 8.8	617	210	2100	210-521	M 10	415	-	-	900	160	100	E1 55R-010205	85
Ø 88.9 x 8.8	617	210	1500	470-781	M 10	415	534	260	880	160	100	E1 55R-010205	76
Ø 88.9 x 8.8	617	210	1700	470-781	M 10	415	534	260	880	160	100	E1 55R-010205	79
Ø 88.9 x 8.8	617	210	2100	470-781	M 10	415	534	260	880	160	100	E1 55R-010205	86
Ø 101.6 x 8.8	617	210	1900	210-521	M 10	415	-	-	900	160	100	E1 55R-010256	89
Ø 101.6 x 8.8	617	210	2500	210-521	M 10	415	-	-	900	160	100	E1 55R-010256	101
Ø 101.6 x 8.8	617	210	2800	210-521	M 10	415	-	-	900	160	100	E1 55R-010256	107
Ø 101.6 x 10	617	210	1900	500-811	M 10	415	600	290	880	160	100	E1 55R-010256	97
Ø 101.6 x 10	617	210	2500	500-811	M 10	415	600	290	880	160	100	E1 55R-010256	110
Ø 101.6 x 10	617	210	2800	500-811	M 10	415	600	290	880	160	100	E1 55R-010256	117
sq.120 x 6.3	635	225	1900	225-600	M 10	500	-	-	890	185	150	E1 55R-010307	125
sq.120 x 6.3	635	225	2500	225-600	M 10	500	-	-	890	185	150	E1 55R-010307	139
sq.120 x 6.3	635	225	2800	225-600	M 10	500	-	-	890	185	150	E1 55R-010307	146
sq.120 x 6.3	635	225	1900	225-735	M 10	680	-	-	890	185	150	E1 55R-010307	130
sq.120 x 6.3	635	225	2500	225-735	M 10	680	-	-	890	185	150	E1 55R-010307	143
sq.120 x 6.3	635	225	2800	225-735	M 10	680	-	-	890	185	150	E1 55R-010307	150
sq. 120 x 10	635	230	1900	230-643	M 12	550	-	-	840	185	150	E1 55R-010527	143
sq. 120 x 10	635	230	2500	230-643	M 12	550	-	-	840	185	150	E1 55R-010527	157
sq. 120 x 10	635	230	2800	230-643	M 12	550	-	-	840	185	150	E1 55R-010527	165