

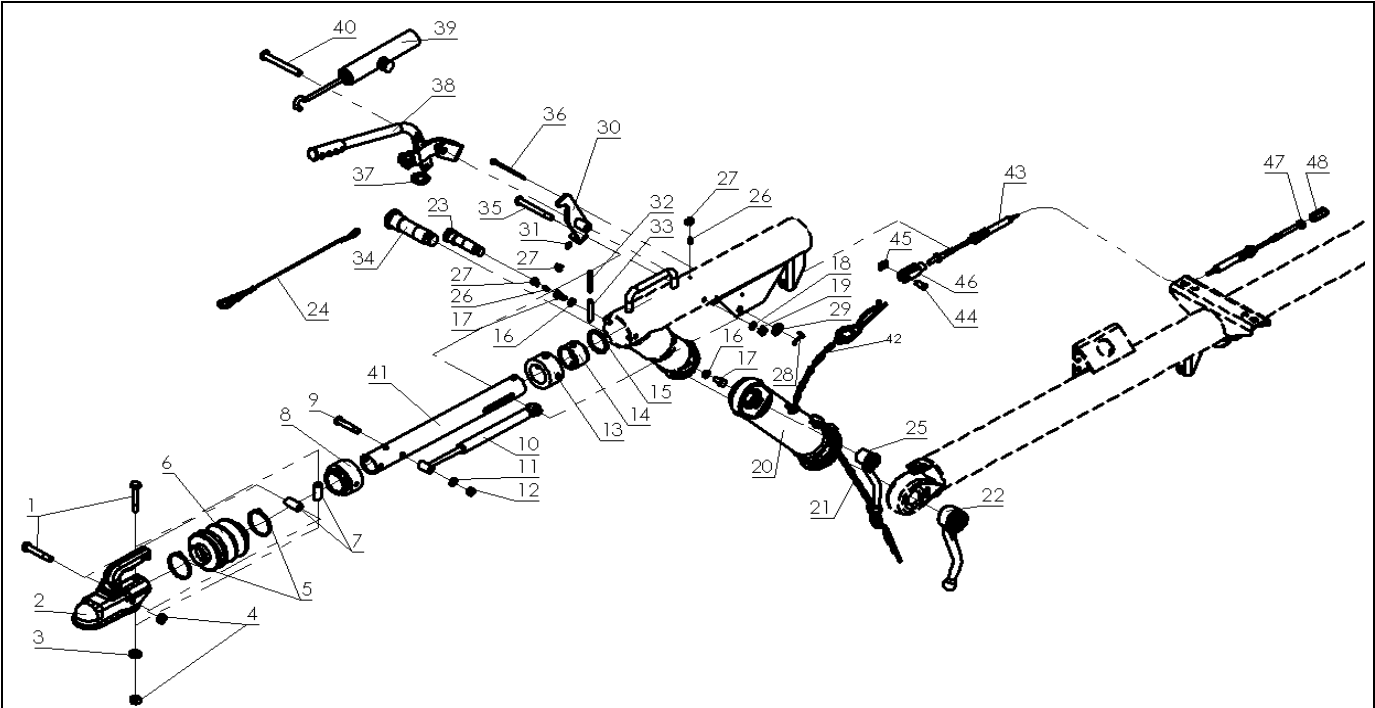
TOWBAR ASSEMBLY ZKV 13 / 20

ETI- Nr. 827013

(Specify the order with the ETI No.)

AL-KO

Spare parts



Item	Description	Material-No. (Part-No. BPW-FZT)
1	SCREW M12X 75_22 10.9	4018588 (03.340.11.08.0)
2	COUPLING EM 150 R-B EYE END 40,0-01 BLACK	1860782 (02.1801.31.10) 4003402 (05.398.30.22.0)
3	DISC D=25_13 F.R22,5 T=3 VZ DISC D=25_13 F.R25 T=3 VZ FOR EYE END	4016940 (03.320.10.02.0) 4016940 (03.320.10.02.0)
4	SELF-LOCKING NUT BIW M12 ZN8DISP- 8	705521 (02.5220.14.12)
5	CABLE TIE 4,8X360 BLACK	4018618 (02.3310.04.00)
6	BELLOW	4015580 (03.130.08.02.0)
7	TUBE	4016820 (03.300.62.03.0)
8	BEARING	for ZKV 13 4003039 (03.030.10.82.0) for ZKV 20 4003044 (03.030.12.50.0)
9	THREAD BOLT M10X14 RD12 64LG SW17 VZ	4016010 (03.177.11.26.0)
10	SHOCK ABSORBER	for ZKV 13 4014880 (02.3702.79.00) for ZKV 20 4017996 (05.323.00.98.0)
11	WASHER 10 ST VZ	4018468 (02.5450.53.04)
12	LOCK NUT M10 WIE DIN934 8 VZ	4018432 (02.5273.10.82)
13	BEARING	for ZKV 13 4003043 (03.030.12.03.0) for ZKV 20 4003046 (03.030.12.51.0)
14	ADJUSTING RING	4017036 (03.371.00.69.0)
15	RING	4016925 (03.311.20.15.0)
16	WASHER SPR A10 DIN128 ZN8DISP	706964 (02.5601.10.92)
17	SETSCREW 10X 20 DIN933- 8.8 ZN8DISP	705461 (02.5025.52.82)
18	WASHER 10 ST VZ	4018468 (02.5450.53.04)
19	LOCK NUT M10 WIE DIN934 8 VZ	4018432 (02.5273.10.82)
20	ADJUSTABLE ROD	auf Anfrage mit Bestell Nr.
21	CIRCLIPS	4018027 (05.350.00.12.0)
22	CLAMPING NUT BLACK	4003208 (03.265.05.02.0)

Item	Description	Material-No. (Part-No. BPW-FZT)
23	THREAD BOLT	4016036 (03.177.94.04.0)
24	CABLE 1200LG.	4018001 (05.327.00.07.0)
25	CLAMPING NUT GALV M24X1,5 VZ	4003206 (03.265.04.08.0)
26	GREASE NIPPLE AS 6 71412 VZ	707003 (02.6850.00.02)
27	COVER	4018322 (02.3505.20.00)
28	SPLIT PIN 4 X 25 94 VZ	700193 (02.6201.41.01)
29	WASHER 14,5 ST VZ	4018465 (02.5450.48.04)
30	LEVER MASS A=32 GALV.VZ	4017499 (05.190.41.91.0)
31	GREASE NIPPLE	4018570 (02.6850.01.02)
32	SNAP HOOK 6 X 60-ST ISO8752	706977 (02.6006.46.90)
33	SNAP HOOK PIN 10 X 60 1481	1548013 (02.6006.58.90)
34	THREAD BOLT	4016037 (03.177.95.02.0)
35	THREAD BOLT	4016006 (03.177.11.08.0)
36	SPLINT 6,3X 90 94 VZ	706987 (02.6201.66.03)
37	RING	4016905 (03.310.70.09.0)
38	LEVER	4003369 (05.190.40.11.0)
39	RETURN SPRING	4018067 (05.397.68.34.0)
40	PIN	4015424 (03.084.32.07.0)
41	TUBE	für ZKV 13 4003245 (03.300.64.25.0) für ZKV 20 4004030 (03.302.40.86.0)
42	CIRCLIPS	4018026 (05.350.00.11.0)
43	BRAKE CABLE M10 1250_1550	4017243 (05.089.00.63.0)
44	PIN	4014960 (02.5850.26.02)
45	LOCK	4018315 (02.3301.04.02)
46	FORK 10X40 ZN 71752 AT DRAW	706908 (02.1201.02.12)
47	NUT PL 10 DIN934-8 ZP	707012 (02.5202.14.82)
48	HEXAGON NUT	4018581 (03.260.01.02.0)

SELF-LOCKING NUT AND SCREW WITH CHEMICAL / MECHANICAL SELF-LOCKING MUST BE USED ONCE. AFTER UNTIGHTEN ALWAYS USE A NEW SPARE

Erstellt	ETI-Nummer	geändert	Änderungs-Nr.	Änderungsgrund	Revisions-Nr.
16.03.18 J.B.	827013_en				