

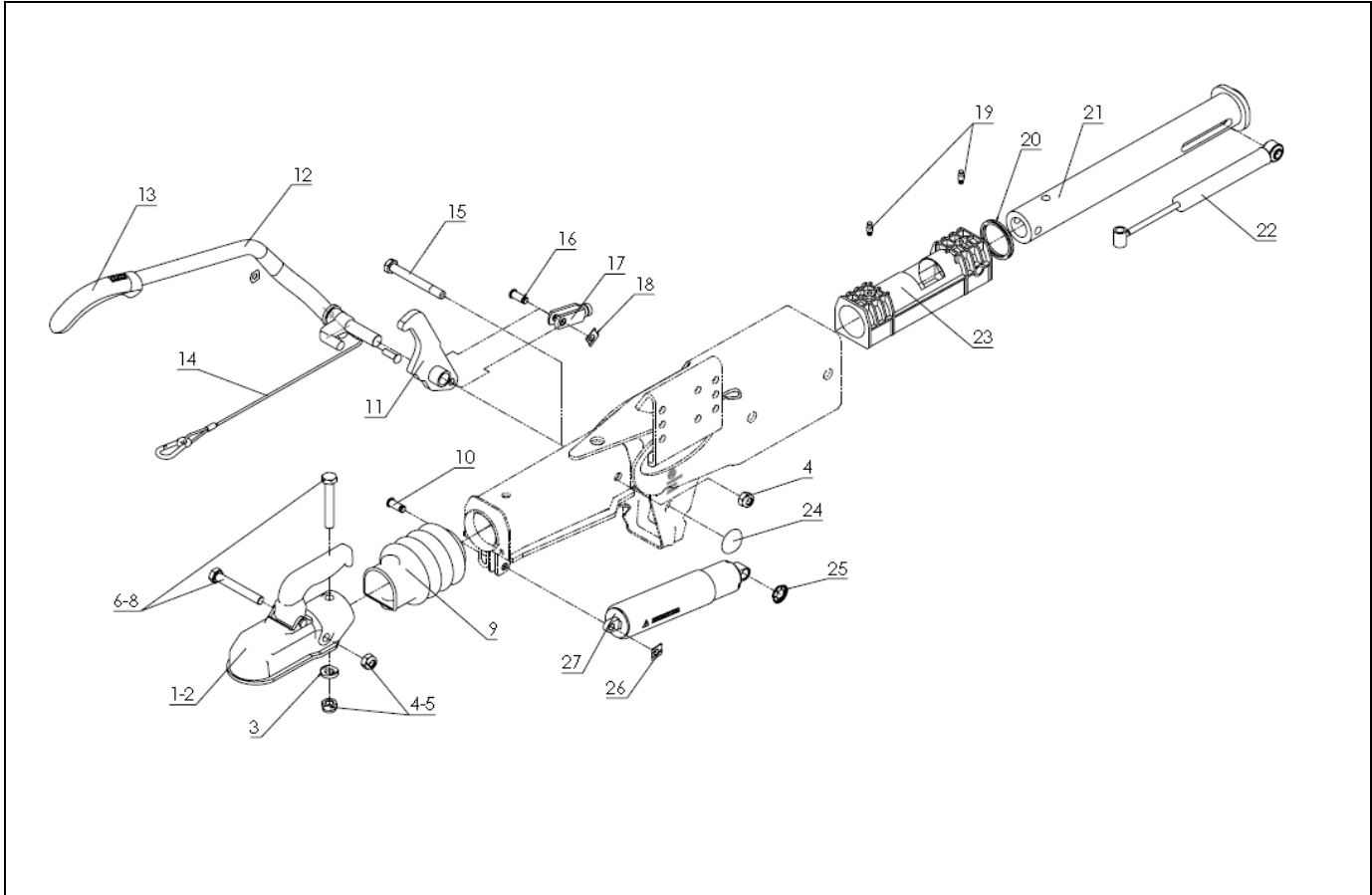
# OVERRUN HITCH ZAAQ 3,0-3

ETI- No. 827009

(Specify the order with the ETI No.)

# AL-KO

Spare parts



Item	Description	Material-No. (Part-No. BPW-FZT)
1	COUPLING EM 300 R-B-K1212 INSTALLATIONS PARTS ITEM 3, 4, 7, 8, 9	1860818 (02.1801.28.10)
2	EYE END 40,0 VERS. A INSTALLATIONS PARTS ITEM 3, 5, 6, 9	4003418 (05.398.40.78)
3	DISC =25/13 F.R.25,0 T=4 VZ C	4016942 (03.320.10.11.0)
4	NUT CRIMP 12 DIN980-V-10 ZN8DISP	705521 (02.5220.14.12)
5	NUT NYLOC 12 DIN985-8 ZN8DISP	705386 (02.5215.14.82)
6	SCREW M12x80_22 10.9	4018589 (03.340.11.09.0)
7	BOLT 12X 80 DIN931-10.9 ZN8DISP	706358 (02.5021.89.13)
8	BOLT12X 85 DIN931-10.9 ZN8DISP	706866 (02.5021.90.13)
9	BELLOW	4015594 (03.130.09.16.0)
10	BUTTON-HEAD RIVET	4014960 (02.5850.26.02)
11	LEVER	4006874 (05.190.38.84.0)
12	HANDBRAKE LEVER CPL	4017545 (05.203.30.70.0)
13	HANDLE BLUE	4018293 (02.1404.19.00)
14	SAFETY BRAKE CABLE	4018021 (05.327.30.02.0)

Item	Description	Material-No. (Part-No. BPW-FZT)
15	SECHSKANTSCHRAUBE M12x100 DIN931 10.9VZ	706325 (02.5021.86.13)
16	BOLT 12X100 DIN931-10.9 ZN8DISP	4014960 (02.5850.26.02)
17	YOKE	4016003 (03.171.50.12.0)
18	LOCK	4018315 (02.3301.04.02)
19	GREASE NIPPLE	4018577 (02.6850.23.00)
20	RING	4016937 (03.311.20.38.0)
21	YOKE	4018104 (05.399.61.24.0)
22	SHOCK ABSORBER	4018351 (02.3722.80.00)
23	BEARING	4015175 (03.030.30.16.0)
24	ELASTIC BEARING 18	4014951 (02.5450.89.00)
25	ELASTIC BEARING 14	4014950 (02.5450.88.00)
26	LOCK	4018315 (02.3301.04.02)
27	RETURN SPRING 3100N	4018080 (05.397.68.64.0)

\* ATTENTION: AFTER INSTALLATION OF THE BUSHES THE INNER DIAMETER MUST BE REAMED TO PARTICULAR SIZE OF THE DRAW TUBE.

\*\* FOR SAFETY REASONS: SELF-LOCKING NUT AND SCREW WITH CHEMICAL / MECHANICAL SELF-LOCKING MUST BE USED ONCE. AFTER UNTIGHTEN ALWAYS USE A NEW SPARE.

provided	ETI-No.	changed	Change No.	Reason of the change	Revisions-No.
31.01.18 J.B.	827009_en				