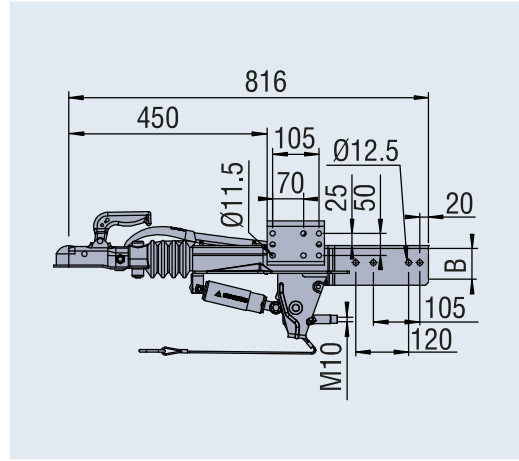


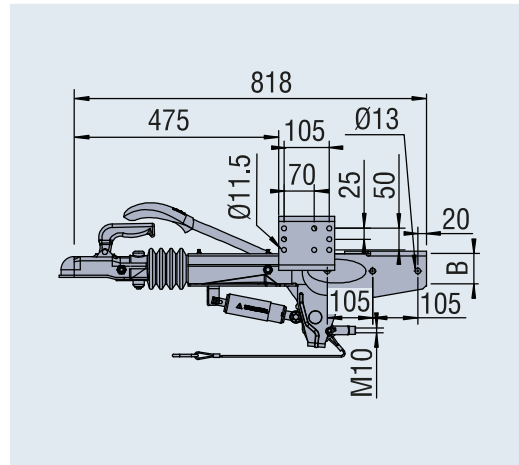
SQUARE OVERRUN DEVICES (TOWBAR CONNECTION PARTS)

push-on fit ZAAQ, permitted gross weight 540 kg to 1,350 kg



SAP: ZUG EINRICHTUNG KPL ZAAQ 1,0-3

Permitted gross weight [kg]	Sales designation	Type	Order No.	Reference No.	Push-on fit on square tube [mm]	Perm. nose load [kg]	Combined wheel brakes (RASKY)	ECE test code	Weight [kg]
540-1,000	ZAAQ 1.0-3	WW13N	4014223	48.20.981.002	70	100	S1704-7 S2005-7	E1 55R-012007	13.2

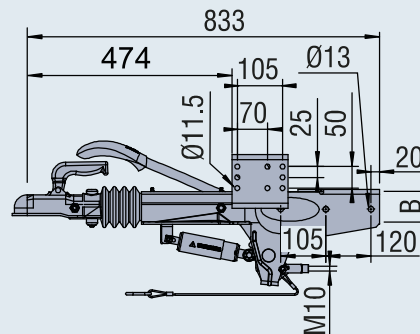


SAP: ZUG EINRICHTUNG KPL ZAAQ 1,35-3

Permitted gross weight [kg]	Sales designation	Type	Order No.	Reference No.	Push-on fit on square tube [mm]	Perm. nose load [kg]	Combined wheel brakes (RASKY)	ECE test code	Weight [kg]
750-1,350	ZAAQ 1,35-3	EM 150R Vers. B	4003587	48.25.981.000	70	100	S1704-7 S2005-7	E1 55R-012006	16.5

SQUARE OVERRUN DEVICES (TOWBAR CONNECTION PARTS)

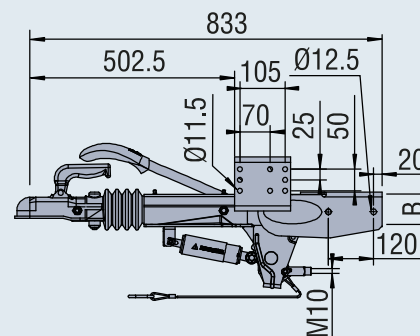
push-on fit ZAAQ, permitted gross weight 800 kg to 2,000 kg



3

SAP: ZUGEINRICHTUNG KPL ZAAQ 1,6-3 AUSF A

Permitted gross weight [kg]	Sales designation	Type	Order No.	Reference No.	Push-on fit on square tube [mm]	Perm. nose load [kg]	Combined wheel brakes (RASK)	ECE test code	Weight [kg]
800-1,600	ZAAQ 1.6-3	EM 220R Vers. B	4014323	48.29.981.001	70	100	S1704-7 S2005-7 S2504-7	E1 55R-011997	16.4

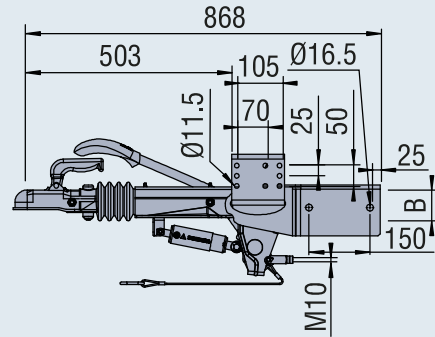


SAP: ZUGEINRICHTUNG KPL ZAAQ 2,0-3

Permitted gross weight [kg]	Sales designation	Type	Order No.	Reference No.	Push-on fit on square tube [mm]	Perm. nose load [kg]	Combined wheel brakes (RASK)	ECE test code	Weight [kg]
1,250-2,000	ZAAQ 2.0-3	EM 220R Vers. B	4014402	48.36.981.000	80	100	S1704-7 S2005-7 S2504-7	E1 55R-012234	19.4

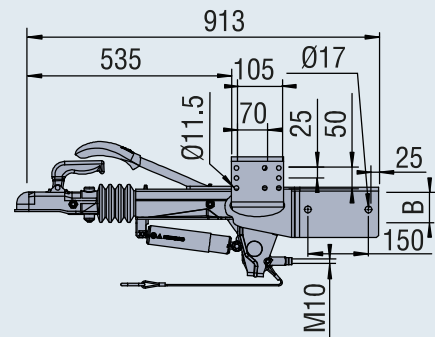
SQUARE OVERRUN DEVICES (TOWBAR CONNECTION PARTS)

push-on fit ZAAQ, permitted gross weight 1,800 kg to 3,000 kg



SAP: ZUG EINRICHTUNG KPL ZAAQ 2,5-3

Permitted gross weight [kg]	Sales designation	Type	Order No.	Reference No.	Push-on fit on square tube [mm]	Perm. nose load [kg]	Combined wheel brakes (RASX)	ECE test code	Weight [kg]
up to 2,500	ZAAQ 2.5-3	EM 300R-B	4022518	48.41.981.000	100	100	S2005-7 S2504-7	E1 55R-012233	19.1

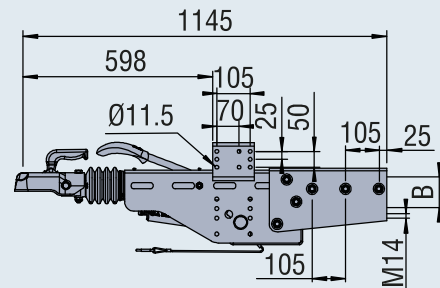


SAP: ZUG EINRICHTUNG KPL ZAAQ 3,0-3

Permitted gross weight [kg]	Sales designation	Type	Order No.	Reference No.	Push-on fit on square tube [mm]	Perm. nose load [kg]	Combined wheel brakes (RASX)	ECE test code	Weight [kg]
1,800-3,000	ZAAQ 3.0-3	EM 300R-B	4014460	48.46.981.000	100	100	S2005-7 S2504-7 S3006-7	E1 55R-012235	23.0

SQUARE OVERRUN DEVICES (TOWBAR CONNECTION PARTS)

push-on fit ZAAQ, permitted gross weight 2,500 kg to 3,500 kg



3

SAP: ZUG EINRICHTUNG KPL ZAAQ 3,5-3 AUSF A

Permitted gross weight [kg]	Sales designation	Type	Order No.	Reference No.	Push-on fit on square tube [mm]	Perm. nose load [kg]	Combined wheel brakes (RASK)	ECE test code	Weight [kg]
2,500-3,500	ZAAQ 3.5-1	EM 350R-D	4014483	48.51.981.000	120	100	S2005-7 S2504-7 S3006-7	E1 55R-012521	43.6

CONVERSION KITS FROM 1,350 TO 3,000 KG

	Order No.
DIN drawbar eye 40.0	4011558
NATO drawbar eye 76.0	4011559
iSC 3.0 (stabiliser)	4011528

DRAWBAR EYES FOR ZAF 3.5-3 AND ZAAQ 3.5-3

	Order No.
DIN drawbar eye 40.0	4011524
NATO drawbar eye 76.0	4008524