

TOWBAR ASSEMBLY ZAAQ 3,5-1

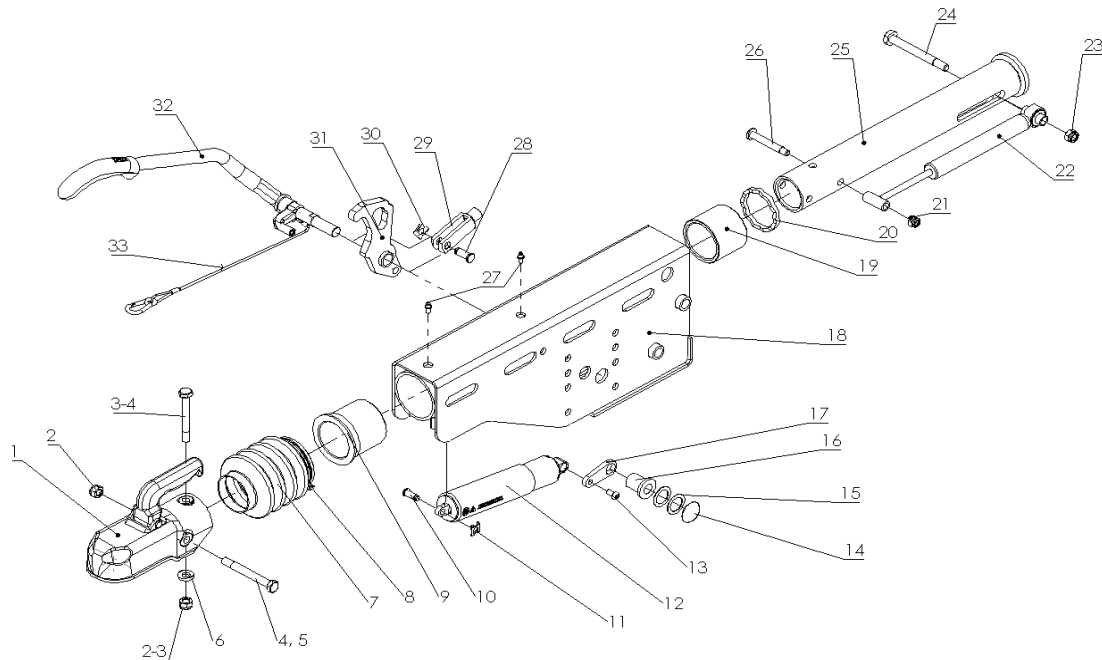
48.51.981.XXX



ETI- No. 827033

(Specify the order with the ETI No.)

Spare parts



Item	Description	Material-No. (Part-No. BPW-FZT)	Item	Description	Material-No. (Part-No. BPW-FZT)
1	COUPLING EM 350 R-D-K1212 MOUNTING PARTS POS. 2,3,5,6 EYE END 40,0 VERS. A BLACK MOUNTING PARTS POS. 2,4 TOWING EYE NATO-76,0 BLACK MOUNTING PARTS POS. 2,4	263253 (02.1801.00.00) 4003418 (05.398.40.78.0) 4017103 (03.398.40.86.0)	17	PLATE	4016588 (03.293.03.14.0)
2	NUT CRIMP 12 DIN980-V-10 ZP	705521 (02.5220.14.12)	18	HOUSING	4005208 (05.031.19.92.0)
3	SCREW M12X 95_22 10.9 N12DISP	4018592 (03.340.11.12.0)	19	BEARING (BACK)	4015165 (03.030.30.05.0)
4	BOLT 12X 80 DIN931-10.9 ZN8DISP	706358 (02.5021.89.13)	25	RING	4016914 (03.310.94.06.0)
5	SCREW M12X105_22 10.9 ZN12DISP	4018593 (03.340.11.14.0)	26	NUT NYLOC 10 DIN985- 8 ZN8DISP	706946 (02.5215.10.82)
6	DISC D=25/13 F.R32,0 T=3 GALV	4016941 (03.320.10.10.0)	27	SHOCK ABSORBER	4014878 (02.3702.65.00)
7	BELLOW BLACK	4015590 (03.130.09.07.0)	28	NUT NYLOC 12 DIN985- 8 ZN8DISP	705386 (02.5215.14.82)
8	CABLE TIE 360X4,8	701422 (02.3310.04.00)	29	THREAD BOLT	4016007 (03.177.11.11.0)
9	BEARING FRONT	4015164 (03.030.30.04.0)	30	PULL ROD	4018116 (05.399.69.79.0)
10	PIN	4014960 (02.5850.26.02)	31	THREAD BOLT	4016011 (03.177.11.27.0)
11	LOCK 10SXN 08 VERZ.	4018315 (02.3301.04.02)	32	GREASE NIPPLE	4018576 (02.6850.22.00)
12	RETURN SPRING	4018084 (05.397.68.70.0)	33	PIN A12X29X24 SXN07 VER	4014961 (02.5850.27.02)
13	BOLT 8X16 EN ISO7380-1 10.9 ZN8DISP	706925 (02.5046.01.52)	34	YOKE	4018578 (03.003.06348)
14	ELASTIC BEARING	4014951 (02.5450.89.00)	35	FUSE SL 12 SXN 08 ZN8DISP	706262 (02.3301.05.02)
15	WASHER S 26X37X1,0 988 ZN8DISP	706885 (02.5410.29.04)	36	LEVER	4006888 (05.190.39.42.0)
16	BUSH	4016139 (03.201.30.44.0)	37	HANDBRAKE LEVER CPL	4017550 (05.203.30.86.0)
			38	BREAKAWAY CABLE ASSEMBLY KIT	4011541 (05.803.12.33.0)
			39		

* FOR SAFETY REASONS: SELF-LOCKING NUT AND SCREW WITH CHEMICAL / MECHANICAL SELF-LOCKING MUST BE USED ONCE. AFTER UNTIGHTEN ALWAYS USE A NEW SPARE.

provided	ETI-No.	changed	Change No.	Reason of the change	Revisions-No.
01.02.18 J.B.	827033_en				