

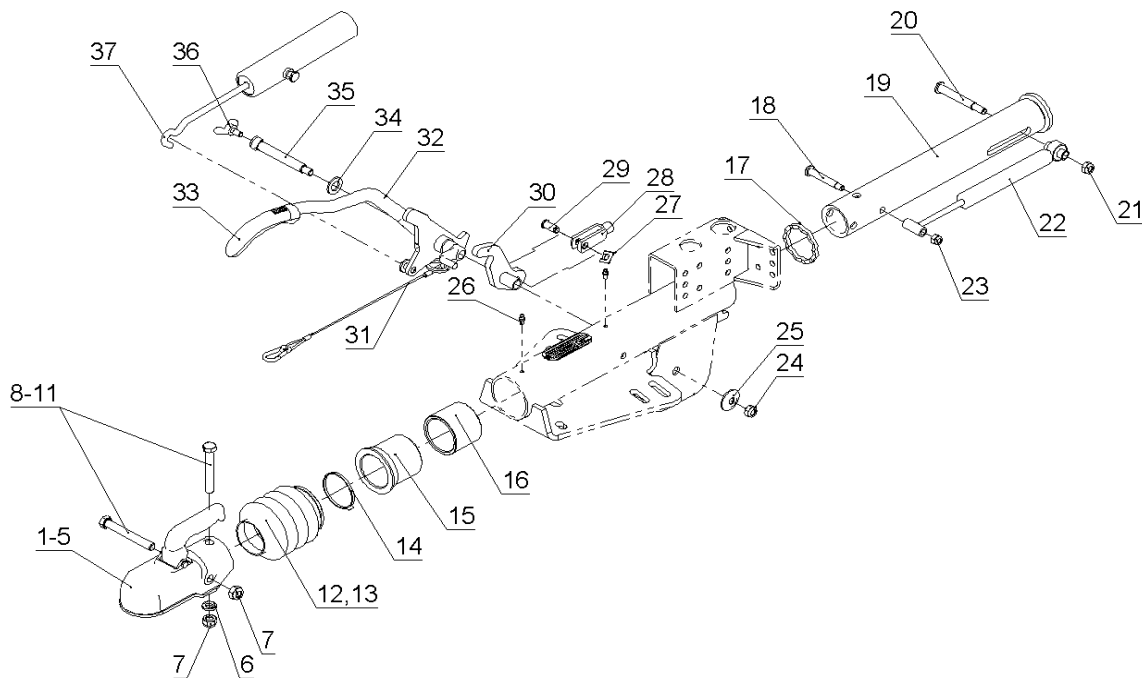
OVERRUN HITCH ZAF 3,5-1 / 3,5-3

ETI- No. 827031

(Specify the order with the ETI No.)

AL-KO

Spare parts



Item	Description	Material-No. (Part-No. BPW-FZT)	Item	Description	Material-No. (Part-No. BPW-FZT)
1	COUPLING EM 350 R-D-K1414	1860834 (02.1801.51.10)	21	NUT NYLOC 12 DIN985- 8 ZN8DISP**	705386 (02.5215.14.82)
2	COUPLING WW 300-H-1412-D60 SPHERIC60	1860815 (02.1801.70.10)	22	SHOCK ABSORBER	4014878 (02.3702.65.00)
3	SAFETY COUPLING ISC 3,5-S-D65-K1414 (BLACK) INSTALLATION PARTS ITEM	1860845 (02.1801.56.20)	23	NUT NYLOC 10 DIN985- 8 ZN8DISP**	706946 (02.5215.10.82)
4	COUPLING ASSEMBLY KIT 40,0-05 INSTALLATION PARTS ITEM 10,20,21,23,25	4011524 (05.803.11.30.0)	24	NUT NYLOC 10 DIN985- 5 ZN8DISP**	706947 (02.5215.14.82)
5	TOWING EYE (NATO-EYE) 76,0-01 INSTALLATION PARTS ITEM 10,20,21,23,25	4008524 (05.803.12.71.0)	25	DISC	4016943 (03.320.11.14.0)
6	DISC D=25_13	4016897 (03.310.30.52.0)	26	GREASE NIPPLE	4018576 (02.6850.22.00)
7	NUT NYLOC 14 DIN985- 8 ZN8DISP **	706948 (02.5215.19.82)	27	LOCK	4018315 (02.3301.04.02)
8	BOLT14X 95 DIN931-10.9 ZN8DISP	706873 (02.5022.20.12)	28	YOKE	4016001 (03.171.03.16.0)
9	BOLT14X110 DIN931-10.9 ZN8DISP	706870 (02.5022.08.12)	29	PIN	4014960 (02.5850.26.02)
10	BOLT14X110 DIN931-10.9 ZN8DISP	706745 (02.5022.06.13)	30	LEVER	4006890 (05.190.38.50.0)
11	BOLT 14X100 DIN931-10.9 ZN8DISP	706354 (02.5022.17.13)	31	CABLE	4018003 (05.327.00.26.0)
12	BELLOW (BLACK)	4015590 (03.130.09.07.0)	32	HANDBRAKE LEVER CPL WITH HANDLE BLUE HAND BRAKE LEVER CPL WITH HANDLE BLACK	4017539 (05.203.30.60.1) 4017557 (05.203.31.16.0)
13	BELLOW REPL BY 1860445	1860445 (03.130.09.18.0)	33	HANDLE BLUE HANDLE BLACK	4018293 (02.1404.19.00) 4014834 (02.1404.25.00)
14	CABLE TIE 4,8X360 BLACK	701422 (02.3310.04.00)	34	WASHER FL 19 DIN125 200HV ZN8DISP	706899 (02.5401.19.04)
15	BEARING FRONT*	4015164 (03.030.30.04.0)	35	THREAD BOLT M12x18	4016038 (03.178.00.02.0)
16	BEARING REAR*	4015165 (03.030.30.05.0)	36	SETSCREW10X 34 DIN933- 8.8	706884 (02.5271.19.42)
17	RING	4016914 (03.310.94.06.0)	37	RETURN SPRING	4018076 (05.397.68.53.0)
18	THREAD BOLT M10x14	4016011 (03.177.11.27.0)			
19	DRAWTUBE	4017989 (05.301.11.02.0)			
20	THREAD BOLT M12x20	4016018 (03.177.11.43.0)			

* ATTENTION: PLEASE AFTER ASSEMBLY THE BEARING BUSH MUST BE WIPED OUT TO THE SPECIFIC DRAW TUBE DIAMETER.

** FOR SAFETY REASONS: SELF-LOCKING NUT AND SCREW WITH CHEMICAL / MECHANICAL SELF-LOCKING MUST BE USED ONCE. AFTER UNTIGHTEN ALWAYS USE A NEW SPARE.

provided	ETI-No.	changed	Change No.	Reason of the change	Revisions-No.
31.01.18 J.B.	827031_en	02.04.2020 P.S.	A17317	Pos. 15 & 16 add text, Pos. 16 was 4006891	A