

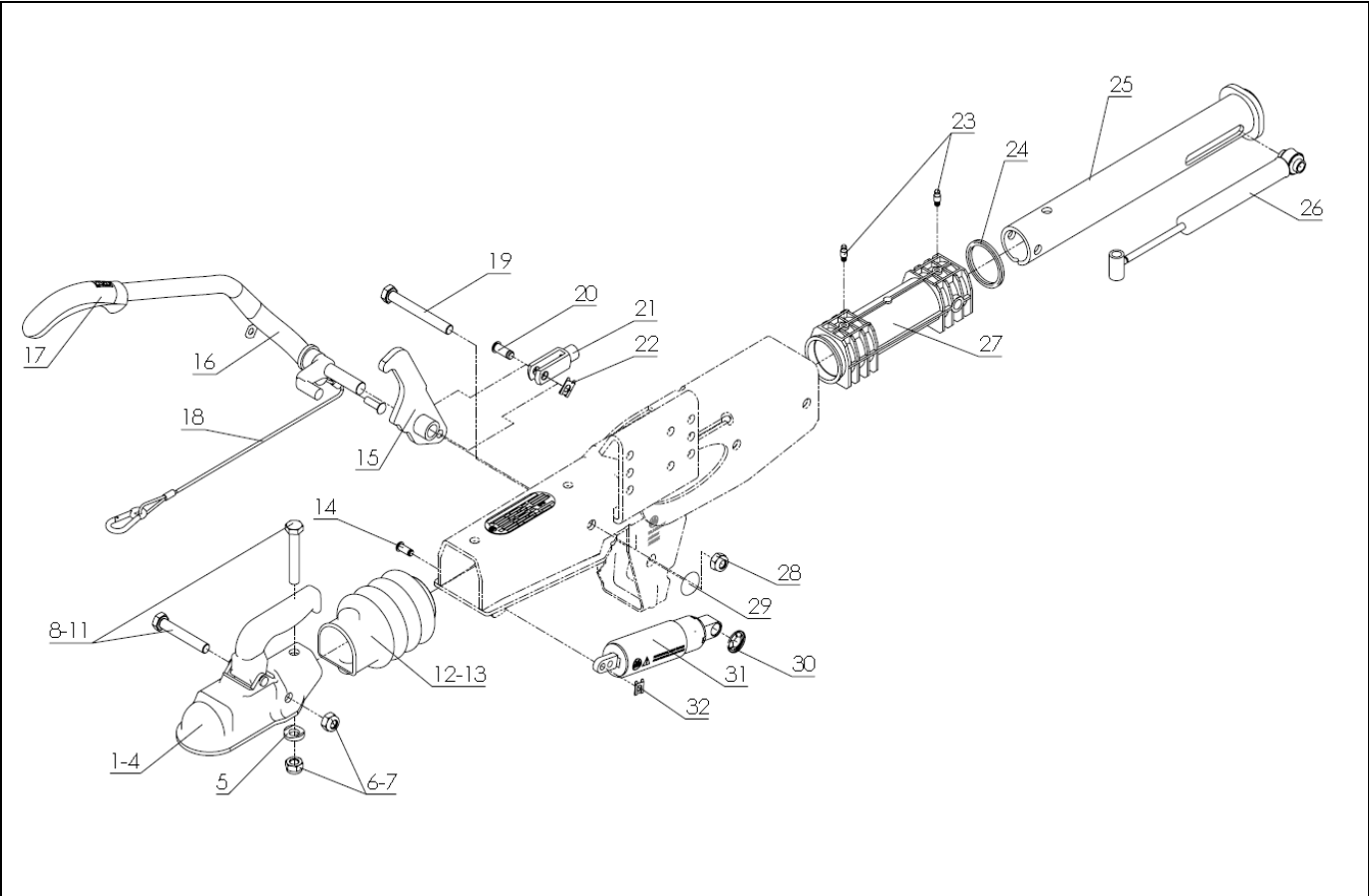
OVERRUN HITCH ZAAQ 1,35-3

ETI- No. 827027

(Specify the order with the ETI No.)

AL-KO

Spare parts



Item	Description	Material-No. (Part-No. BPW-FZT)
1	COUPLING EM 150 R-B MONTAGETEILE POS.5, 7, 8, 13	1860782 (02.1801.31.10)
2	COUPLING ZKB 1,7-1-B MONTAGETEILE POS. 5, 7, 9, 13	4014837 (02.1801.05.20)
3	COUPLING EM 300 R-BOS-K1212 m.S. MONTAGETEILE POS: 5, 6, 10, 11, 13	1860835 (02.1801.43.20)
4	SAFETY COUPLING ISC 1,35-S-LB50-K1212 MONTAGETEILE POS. 5, 6, 10, 11, 12	1860838 (02.1801.54.20)
5	DISC =25/13 F.R25,0 T=4 VZ C	4016942 (03.320.10.11.0)
6	NUT CRIMP 12 DIN980-V- 8 ZN8DISP**	705389 (02.5220.14.82)
7	NUT CRIMP 12 DIN980-V-10 ZN8DISP**	705521 (02.5220.14.12)
8	BOLT 12X 75 DIN931- 8.8 ZN8DISP	705427 (02.5021.78.81)
9	BOLT 12X 75 DIN931-10.9 ZN8DISP	706359 (02.5021.78.13)
10	BOLT 12X 80 DIN931-10.9 ZN8DISP	706358 (02.5021.89.13)
11	BOLT12X 85 DIN931-10.9 ZN8DISP	706866 (02.5021.90.13)
12	BELLOWS H WS3000 BLUE	1860443 (02.1011.37.00)
13	BELLOW	4015594 (03.130.09.16.0)
14	BUTTONHEAD RIVET	4018531 (02.5803.83.06)
15	LEVER	4006891 (05.190.39.55.0)
16	LEVER	4017546 (05.203.30.72.0)

Item	Description	Material-No. (Part-No. BPW-FZT)
17	BELLOWS H WS3000 BLUE	1860443 (02.1404.25.00)
18	SAFETY BRAKE CABLE	4018021 (05.327.30.02.0)
19	BOLT 12X100 DIN931-10.9 ZN8DISP	706325 (02.5021.86.13)
20	PIN	4014960 (02.5850.26.02)
21	FORK 10X40 ZN8DISP 71752	706614 (02.1201.02.12)
22	LOCK	4018315 (02.3301.04.02)
23	GREASE NIPPLE	4018577 (02.6850.23.00)
24	RING	4016927 (03.311.20.38.0)
25	PULL ROD ZAF 1,35-3	4018103 (05.399.61.20.0)
26	SHOCK ABSORBER	4014932 (02.3722.75.00)
27	BEARING*	4015170 (03.030.30.10.0)
28	NUT NYLOC 12 DIN985- 8 ZN8DISP**	705386 (02.5215.14.82)
29	ELASTIC BEARING 16	4018472 (02.5450.84.00)
30	ELASTIC BEARING 14	4014950 (02.5450.88.00)
31	RETURN SPRING	4018082 (05.397.68.67.0)
32	FUSE SL 8 SXN 10 ZN8DISP	706972 (02.3301.03.02)

* ATTENTION: AFTER INSTALLATION OF THE BUSHES THE INNER DIAMETER MUST BE REAMED TO PARTICULAR SIZE OF THE DRAW TUBE.

** FOR SAFETY REASONS: SELF-LOCKING NUT AND SCREW WITH CHEMICAL / MECHANICAL SELF-LOCKING MUST BE USED ONCE. AFTER UNTIGHTEN ALWAYS USE A NEW SPARE.

provided	ETI-No.	changed	Change No.	Reason of the change	Revisions-No.
31.01.18 J.B.	827027_en				