

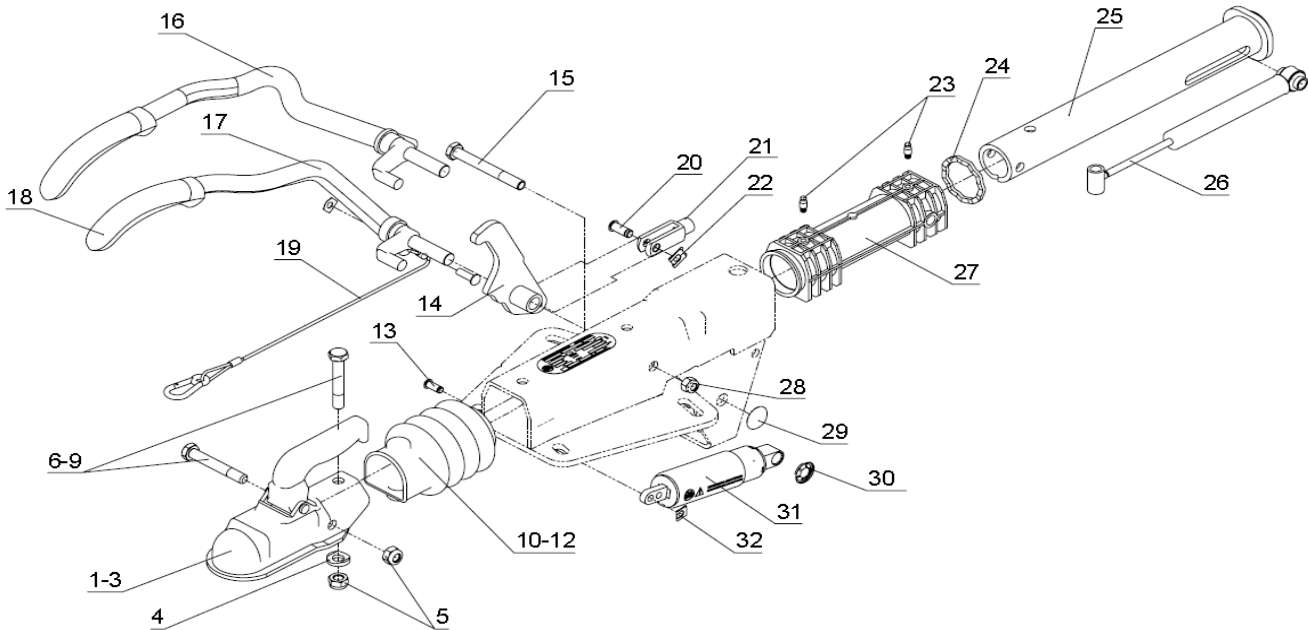
OVERRUN HITCH ZAF 1,35-3

ETI- No. 827010

(Specify the order with the ETI No.)

AL-KO

Spare parts



| Item | Description | Material-No. (Part-No. BPW-FZT) |
|------|---|------------------------------------|
| 1 | COUPLING EM 150 R-B INSTALLATION PARTS ITEM 4, 5, 6, 10 | 1860782 (02.1801.31.10) |
| 2 | COUPLING ZKB 1,7-1-B INSTALLATION PARTS ITEM 4, 5, 7, 10 | 4014837 (02.1801.05.20) |
| 3 | SAFETY COUPLING ISC 1,35-S-LB50-K1212 INSTALLATION PARTS ITEM 4, 5, 8, 9, 11 | 1860838 (02.1801.54.20) |
| 4 | DISC =25/13 F.R25,0 T=4 VZ C | 4016942 (03.320.10.11.0) |
| 5 | NUT CRIMP 12 DIN980-V-10 ZN8DISP | 705521 (02.5220.14.12) |
| 6 | BOLT 12X 75 DIN931- 8.8 ZN8DISP | 705427 (02.5021.78.81) |
| 7 | BOLT 12X 75 DIN931-10.9 ZN8DISP | 706359 (02.5021.78.13) |
| 8 | BOLT12X 85 DIN931-10.9 ZN8DISP | 706866 (02.5021.90.13) |
| 9 | BOLT 12X 80 DIN931-10.9 ZN8DISP | 706358 (02.5021.89.13) |
| 10 | BELLOW (BLUE) | 4015594 (03.130.09.16.0) |
| 11 | BELLOWS H WS3000 BLUE | 1860443 (02.1011.37.00) |
| 12 | CABLE TIE 4,8X360 BLACK | 4018618 (02.3310.04.00) |
| 13 | BUTTONHEAD RIVET | 4014959 (02.5850.25.02) |
| 14 | LEVER | 4006891 (05.190.39.55.0) |
| 15 | BOLT 12X100 DIN931-10.9 ZN8DISP | 706325 (02.5021.86.13) |
| 16 | HANDBRAKE LEVER | 4017548 (05.203.30.76.0) |

| Item | Description | Material-No. (Part-No. BPW-FZT) |
|------|----------------------------------|------------------------------------|
| 17 | LEVER CPL (CARAVAN) BLUE | 4017542 (05.203.30.65.0) |
| 18 | HANDLE BLUE | 4018293 (02.1404.19.00) |
| 19 | SAFETY BRAKE CABLE | 4018021 (05.327.30.02.0) |
| 20 | PIN | 4014960 (02.5850.26.02) |
| 21 | LOCK | 706908 (02.1201.02.12) |
| 22 | FORK 10X40 ZN8DISP 71752 | 4018315 (02.3301.04.02) |
| 23 | GREASE NIPPLE | 4018577 (02.6850.23.00) |
| 24 | RING | 4016937 (03.311.20.38.0) |
| 25 | PULL ROD ZAF 1,35-3 | 4018103 (05.399.61.20.0) |
| 26 | SHOCK ABSORBER | 4014932 (02.3722.75.00) |
| 27 | BEARING | 4015170 (03.030.30.10.0) |
| 28 | NUT NYLOC 12 DIN985- 8 ZN8DISP** | 705389 (02.5220.14.82) |
| 29 | ELASTIC BEARING 16 | 4018472 (02.5450.84.00) |
| 30 | ELASTIC BEARING 14 | 4014950 (02.5450.88.00) |
| 31 | RETURN SPRING | 4018082 (05.397.68.67.0) |
| 32 | FUSE SL 8 SXN 10 ZN8DISP | 706971 (02.3301.02.02) |

* ATTENTION: AFTER INSTALLATION OF THE BUSHES THE INNER DIAMETER MUST BE REAMED TO PARTICULAR SIZE OF THE DRAW TUBE.

** FOR SAFETY REASONS: SELF-LOCKING NUT AND SCREW WITH CHEMICAL / MECHANICAL SELF-LOCKING MUST BE USED ONCE. AFTER UNTIGHTEN ALWAYS USE A NEW SPARE.

| provided | ETI-No. | changed | Change No. | Reason of the change | Revisions-No. |
|-----------------|-----------|---------|------------|----------------------|---------------|
| 31.01.2018 J.B. | 827010_en | | | | |