

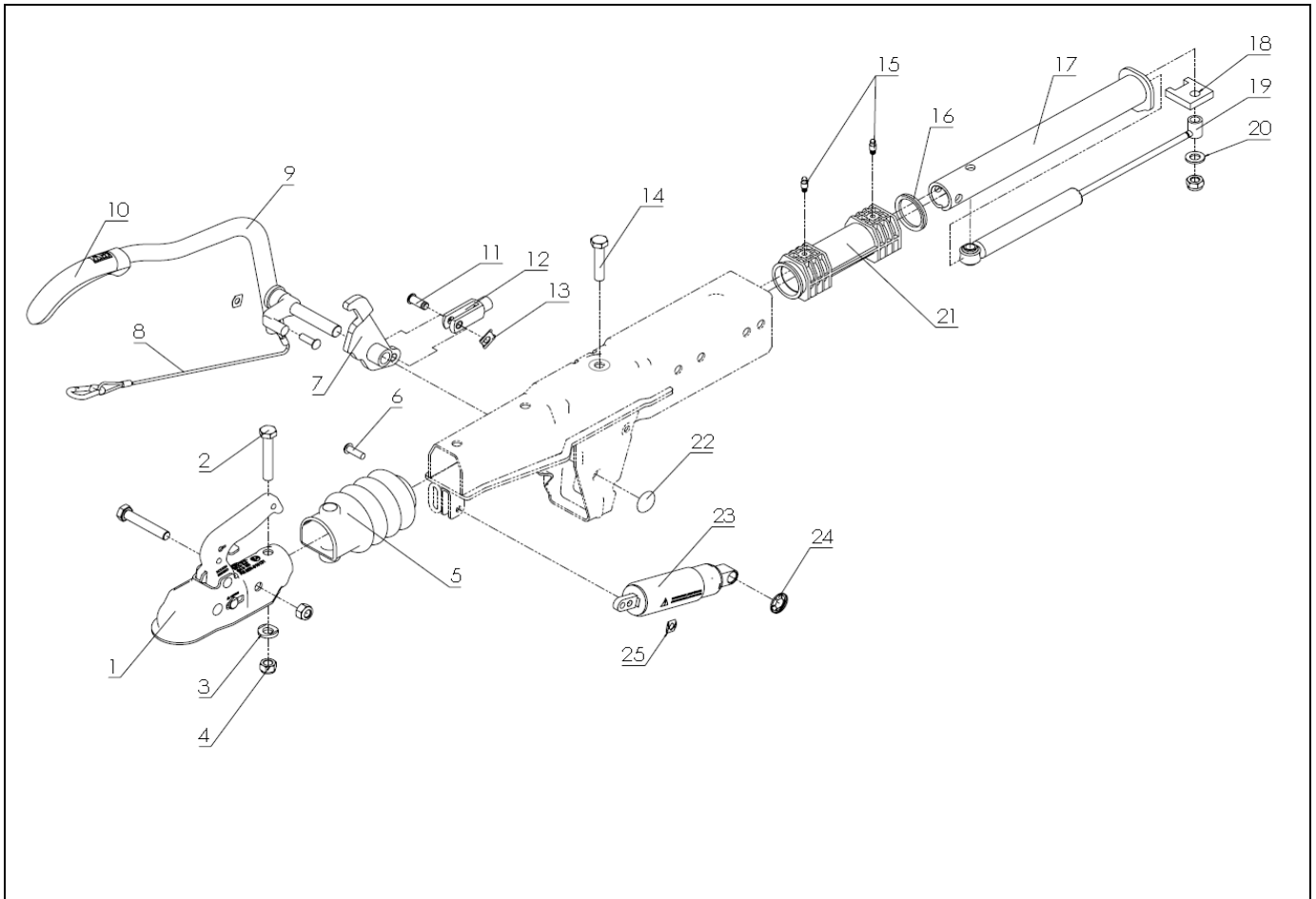
OVERRUN HITCH ZAAQ 1,0-3

ETI- No. 827008

(Specify the order with the ETI No.)

AL-KO

Spare parts



Item	Description	Material-No. (Part-No. BPW-FZT)
1	COUPLING ZKB 1,0-1-A	4014839 (02.1801.10.20)
2	BOLT 12X 70 DIN931- 8.8 ZN8DISP	705418 (02.5021.77.82)
3	DISC D=25_13	4016940 (03.320.10.02.0)
4	NUT CRIMP 12 DIN980-V- 8 ZN8DISP**	705389 (02.5220.14.82)
5	BELLOW BLUE	4015595 (03.130.09.17.0)
6	BUTTONHEAD RIVET	4018531 (02.5803.83.06)
7	LEVER	4006880 (05.190.38.95.0)
8	SAFETY BRAKE CABLE	4018021 (05.327.30.02.0)
9	HANDBRAKE LEVER CPL	4017540 (05.203.30.63.0)
10	HANDLE BLUE	4018293 (02.1404.19.00)
11	PIN	4014960 (02.5850.26.02)
12	FORK 10X40 ZN8DISP 71752	706614 (02.1201.02.12)
13	LOCK	4018315 (02.3301.04.02)

Item	Description	Material-No. (Part-No. BPW-FZT)
14	HEXAGON SCREW 12X 55 DIN931- 8.8 ZN8DISP	705430 (02.5021.69.82)
15	GREASE NIPPLE	4018577 (02.6850.23.00)
16	RING	4016936 (03.311.20.37.0)
17	PULL ROD ZAF 1,0	4018102 (05.399.61.17.0)
18	PLATE	4016760 (03.293.12.76.0)
19	SHOCK ABSORBER F.ZAF 1,0-3	4014936 (02.3722.95.00)
20	WASHER FL 13 DIN125 200HV ZN8DISP	706895 (02.5401.13.04)
21	BEARING*	4015174 (03.030.30.15.0)
22	ELASTIC BEARING 16	4018472 (02.5450.84.00)
23	RETURN SPRING	4018081 (05.397.68.65.0)
24	ELASTIC BEARING 14	4014950 (02.5450.88.00)
25	FUSE SL 8 SXN 10 ZN8DISP	706972 (02.3301.03.02)

* ATTENTION: AFTER INSTALLATION OF THE BUSHES THE INNER DIAMETER MUST BE REAMED TO PARTICULAR SIZE OF THE DRAW TUBE.

** FOR SAFETY REASONS: SELF-LOCKING NUT AND SCREW WITH CHEMICAL / MECHANICAL SELF-LOCKING MUST BE USED ONCE. AFTER UNTIGHTEN ALWAYS USE A NEW SPARE.

provided	ETI-No.	changed	Change No.	Reason of the change	Revisions-No.
31.01.18 J.B.	827008_en				