

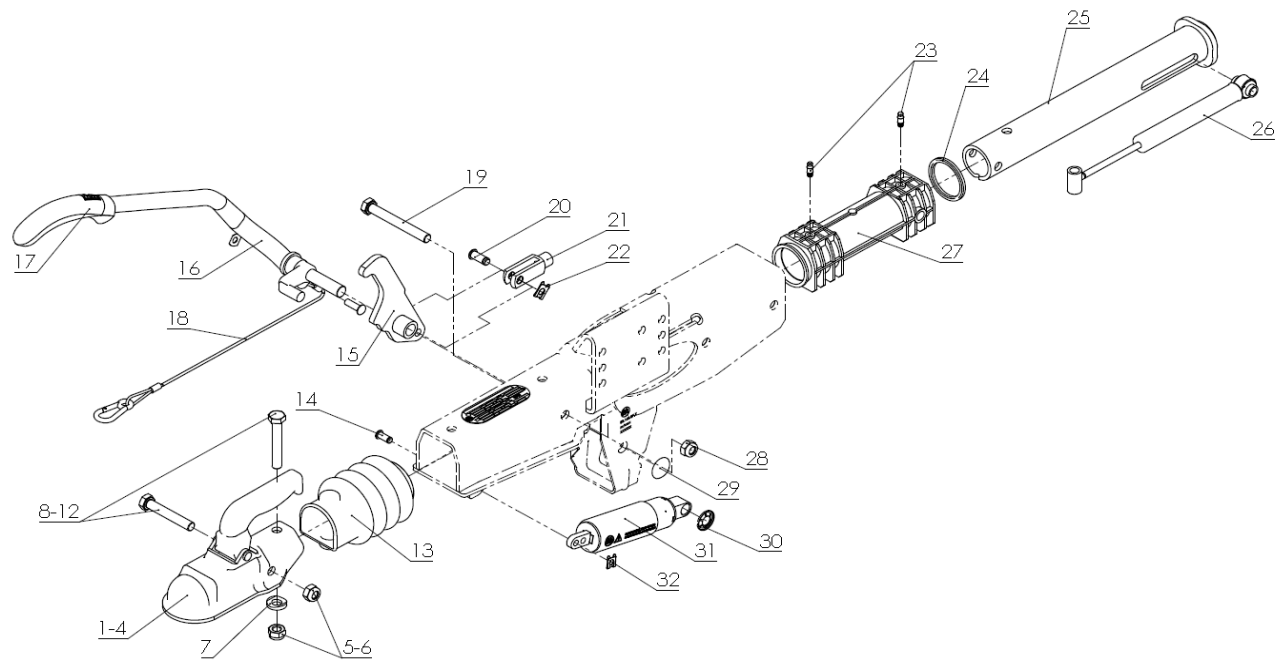
OVERRUN DEVICE ZAAQ 1,6-3

ETI- No. 827005

(Specify the order with the ETI No.)

AL-KO

Spare parts



Item	Description	Material-No. (Part-No. BPW-FZT)
1	COUPLING EM 220 R-B INSTALLATION PARTS ITEM 5, 7, 8, 13	1860788 (02.1801.36.10)
2	COUPLING INSTALLATION PARTS ITEM 6, 7, 9, 13	4014837 (02.1801.05.20)
3	COUPLING EM 300 R-BOS-K1212 m.S. INSTALLATION PARTS ITEM 5, 7, 10, 11, 13	1860835 (02.1801.43.20)
4	EYE END 40,0 VERS. A INSTALLATION PARTS ITEM 5, 12, 13	4003418 (05.398.40.78.0)
5	NUT CRIMP 12 DIN980-V- 8 ZN8DISP**	705389 (02.5220.14.82)
6	NUT CRIMP 12 DIN980-V-10 ZN8DISP**	705521 (02.5220.14.12)
7	DISC =25/13 F.R25,0 T=4 VZ C	4016942 (03.320.10.11.0)
8	BOLT 12X 75 DIN931- 8.8 ZN8DISP	705427 (02.5021.78.81)
9	BOLT 12X 75 DIN931-10.9 ZN8DISP	706359 (02.5021.78.13)
10	BOLT 12X 80 DIN931-10.9 ZN8DISP	706358 (02.5021.89.13)
11	BOLT12X 85 DIN931-10.9 ZN8DISP	706866 (02.5021.90.13)
12	BOLT M12x80_22 10.9	4018589 (03.340.11.09.0)
13	BELLOW	4015594 (03.130.09.16.0)
14	BUTTONHEAD RIVET	4018531 (02.5803.83.06)
15	LEVER	4006891 (05.190.39.55.0)
16	LEVER	4017546 (05.203.30.72.0)

Item	Description	Material-No. (Part-No. BPW-FZT)
17	HANDLE BLUE	4018293 (02.1404.19.00)
18	SAFETY BRAKE CABLE	4018021 (05.327.30.02.0)
19	BOLT 12X100 DIN931-10.9 ZN8DISP	706325 (02.5021.86.13)
20	PIN	4014960 (02.5850.26.02)
21	FORK 10X40 ZN8DISP 71752	706614 (02.1201.02.12)
22	LOCK	4018315 (02.3301.04.02)
23	GREASE NIPPLE	4018577 (02.6850.23.00)
24	RING	4016927 (03.311.20.38.0)
25	PULL ROD ZAF 1,5-2	4018117 (05.399.69.85.0)
26	SHOCK ABSORBER	4014932 (02.3722.75.00)
27	BEARING	4015170 (03.030.30.10.0)
28	NUT NYLOC 12 DIN985- 8 ZN8DISP	705386 (02.5215.14.82)
29	ELASTIC BEARING	4018472 (02.5450.84.00)
30	ELASTIC BEARING	4014950 (02.5450.88.00)
31	RETURN SPRING	4018078 (05.397.68.61.0)
32	FUSE SL 8 SXN 10 ZN8DISP	706972 (02.3301.03.02)

* ATTENTION: AFTER INSTALLATION OF THE BUSHES THE INNER DIAMETER MUST BE REAMED TO PARTICULAR SIZE OF THE DRAW TUBE.

** FOR SAFETY REASONS: SELF-LOCKING NUT AND SCREW WITH CHEMICAL / MECHANICAL SELF-LOCKING MUST BE USED ONCE. AFTER UNTIGHTEN ALWAYS USE A NEW SPARE.

provided	ETI-No.	changed	Change No.	Reason of the change	Revisions-No.
31.01.18 J.B.	827005_en				