

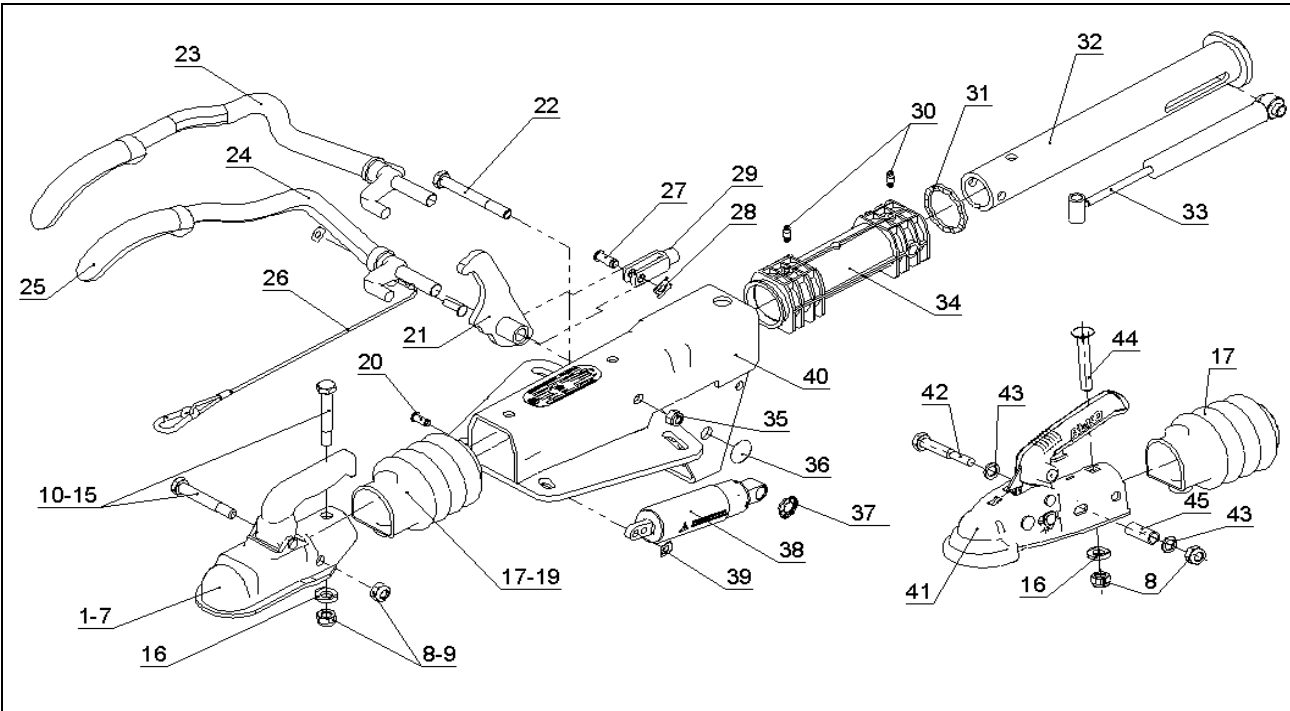
# OVERRUN DEVICE ZAF1,5-2 / ZAF 1,6-3

ETI- No. 827003

(Specify the order with the ETI No.)



Spare parts



Item	Description	Material-No. (Part-No. BPW-FZT)
1	COUPLING EM 300 R-B-K1212 W=3000KG INSTALLATION PARTS ITEM 8,14,16,17	1860818 (02.1801.28.10)
2	COUPLING EM 150 R-B INSTALLATION PARTS ITEM 8,13,16,17	1860782 (02.1801.31.10)
3	COUPLING WW 30-KD51-K1212 INSTALLATION PARTS ITEM 8,10,11,16,17	1861423 (02.1801.74.10)
4	SAFETY COUPLING ISC 3,0-S-D50-K1212 INSTALLATION PARTS ITEM 8,10,14,16,18	1860839 (02.1801.55.20)
5	SAFETY COUPLING ISC 1,35-S-LB50-K1212 INSTALLATION PARTS ITEM 8,10,14,16,18	1860838 (02.1801.54.20)
6	COUPLING WW 300-H-1412-D60 SPHERIC60 INSTALLATION PARTS ITEM 8,9,11,15,16,17	1860815 (02.1801.70.10)
7	EYE END 40,0-05 INSTALLATION PARTS ITEM 8,14,16,17	4003415 (05.398.40.58.0)
8	NUT NYLOC 12 DIN985- 8 ZN8DISP**	705386 (02.5215.14.82)
9	NUT NYLOC 14 DIN985- 8 ZN8DISP**	706948 (02.5215.19.82)
10	BOLT 12X 85 DIN931-10.9 ZN8DISP	706866 (02.5021.90.13)
11	BOLT 12X 80 DIN931-10.9 ZN8DISP	706358 (02.5021.89.13)
12	BOLT M12x80_22 10.9	4018589 (03.340.11.09.0)
13	BOLT M12x75 DIN931 8.8VZ	705427 (02.5021.78.81)
14	BOLT M12x75 DIN931 10.9VZ	706359 (02.5021.78.13)
15	BOLT M14x90 DIN 931 10.9VZ	706745 (02.5022.06.13)
16	DISC =25/13 F.R25,0 T=4 VZ C	4016942 (03.320.10.11.0)
17	BELLOW (BLUE)	4015594 (03.130.09.16.0)
18	BELLOW (BLACK)	1860443 (02.1011.37.00)
19	CABLE TIE 4.8X360 BLACK	4018618 (02.3310.04.00)
20	BUTTONHEAD RIVET	4018531 (02.5803.83.06)
21	LEVER	4006891 (05.190.39.55.0)
22	BOLT 12X100 DIN931-10.9 ZN8DISP	706325 (02.5021.86.13)
23	HANDBRAKE LEVER	4017548 (05.203.30.76.0)

Item	Description	Material-No. (Part-No. BPW-FZT)
24	HANDBRAKE LEVER CPL	4017547 (05.203.30.73.0)
25	HANDLE BLUE	4018293 (02.1404.19.00)
26	SAFETY BRAKE CABLE	4018021 (05.327.30.02.0)
27	PIN	4014960 (02.5850.26.02)
28	LOCK	4018315 (02.3301.04.02)
29	FORK 10X40 ZN8DISP 71752	1860815 (02.1201.02.12)
30	GREASE NIPPLE	4018570 (02.6850.01.02)
31	RING	4016937 (03.311.20.38.0)
32	PULL ROD ZAF 1,5-2	4018117 (05.399.69.85.0)
33	SHOCK ABSORBER	4014932 (02.3722.75.00)
34	BEARING*	4015170 (03.030.30.10.0)
35	NUT NYLOC 10 DIN985- 8 ZN8DISP	706946 (02.5215.10.82)
36	ELASTIC BEARING	4018472 (02.5450.84.00)
37	ELASTIC BEARING	4014950 (02.5450.88.00)
38	RETURN SPRING	4018078 (05.397.68.61.0)
39	SAFTY	4018314 (02.3301.03.02)
40	HOUSING ONLY COMPLETE OVERRUN DEVICE AVAILABLE	***
41	COUPLING BALL AK161 D50 SOFTDOCK	1731028
42	BOLT 12X 80 DIN931- 8.8 ZN8DISP	705422
43	WASHER 13 433 ZN8DISP	706459
44	BOLT FLAT ROUND M12X75 ZN8DISP	603392
45	DISTANCE TUBE ZN12A	647924

\* ATTENTION: AFTER INSTALLATION OF THE BUSHES THE INNER DIAMETER MUST BEI REAMED TO PARTICULAR SIZE OF THE DRAW TUBE.

\*\* FOR SAFETY REASONS: SELF-LOCKING NUT AND SCREW WITH CHEMICAL / MECHANICAL SELF-LOCKING MUST BE USED ONCE. AFTER UNTIGHTEN ALWAYS USE A NEW SPARE.

\*\*\* PART NO. = PLATE ON THE OVERRUN DEVICE

provided	ETI-No.	changed	Change No.	Reason of the change	Revisions-No.
31.01.18 J.B.	827003_en	28.03.19 P.S.	A17233	Pos. 40 to 45 and image added	A