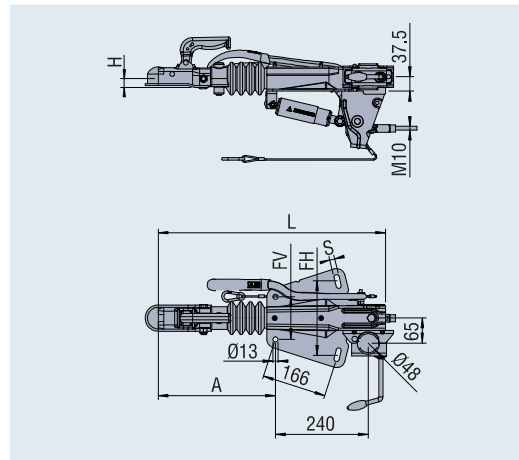


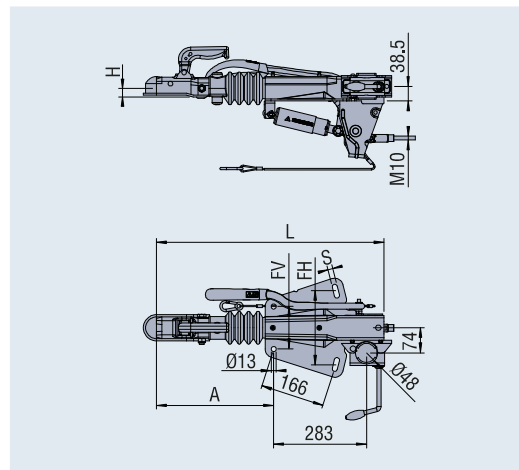
OVERRUN DEVICES V (TOWBAR CONNECTION PARTS)

ZAF, permitted gross weight 540 kg to 1,350 kg



SAP: ZUG EINRICHTUNG KPL ZAF 1,0-3

Permitted gross weight [kg]	Sales designation	Order No.	Reference No.	Dimensions [mm]							S	Perm. nose load [kg]	Drawbar installation version	Combined wheel brakes (RASK)	ECE test code	Weight [kg]
				A	H	L	FH	FH2	FV							
540-1,000	ZAF 1,0-3	4014216	48.20.581.025	303	33	608	167-212	-	110	13	75	oben	S1704-7 S2005-7	E1 55R-012012	12	

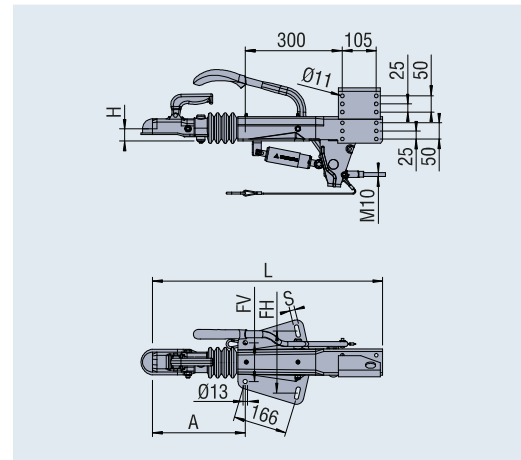


SAP: ZUG EINRICHTUNG KPL ZAF 1,35-3

Permitted gross weight [kg]	Sales designation	Order No.	Reference No.	Dimensions [mm]							S	Perm. nose load [kg]	Drawbar installation version	Combined wheel brakes (RASK)	ECE test code	Weight [kg]
				A	H	L	FH	FH2	FV							
750-1,350	ZAF 1.35	4014247	48.25.581.200	286	39	635	167-196	-	110	13	100	top	S1704-7 S2005-7	E1 55R-011974	13.7	

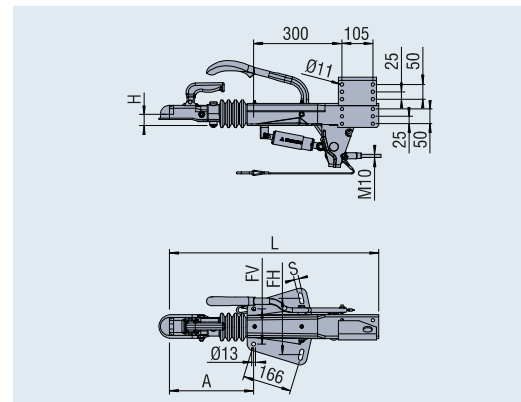
OVERRUN DEVICES V (TOWBAR CONNECTION PARTS)

ZAF, permitted gross weight 750 kg to 2,000 kg



SAP: AE KPL ZAF 1,6-3 A,1,5 120_167-217

Permitted gross weight [kg]	Sales designation	Order No.	Reference No.	Dimensions [mm]								Perm. nose load [kg]	Drawbar installation version	Combined wheel brakes (RASK)	ECE test code	Weight [kg]
				A	H	L	FH	FH2	FV	S						
750-1,500	ZAF 1.6-3	4014293	48.27.581.202	286	33	711	167-217	-	120	13	100	top/bottom	S1704-7 S2005-7 S2504-7	E1 55R-012051	15.7	

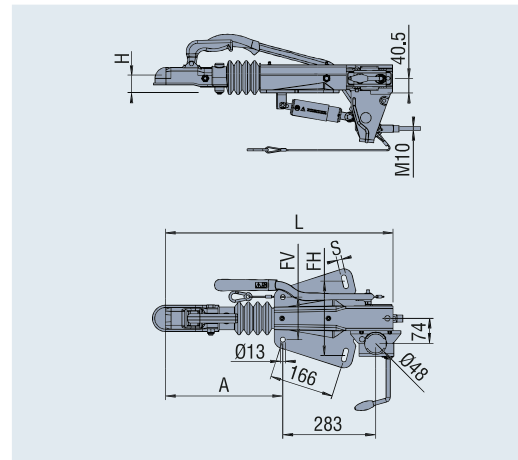


SAP: ZUGGERICHTUNG KPL ZAF 2,0-3

Permitted gross weight [kg]	Sales designation	Order No.	Reference No.	Dimensions [mm]								Perm. nose load [kg]	Drawbar installation version	Combined wheel brakes (RASK)	ECE test code	Weight [kg]
				A	H	L	FH	FH2	FV	S						
1,250-2,000	ZAF 2.0-3	4014378	48.36.581.200	286	39	635	167-217	-	110	13	150	top/bottom	S1704-7 S2005-7 S2504-7	E1 55R-012078	15.3	
		4014379	48.36.581.201	286	41	635	167-217	-	120	13	150	top/bottom	S1704-7 S2005-7 S2504-7	E1 55R-012078	15.4	
		4014380	48.36.581.202	286	41	711	167-217	-	120	13	150	top/bottom	S1704-7 S2005-7 S2504-7	E1 55R-012078	17.1	

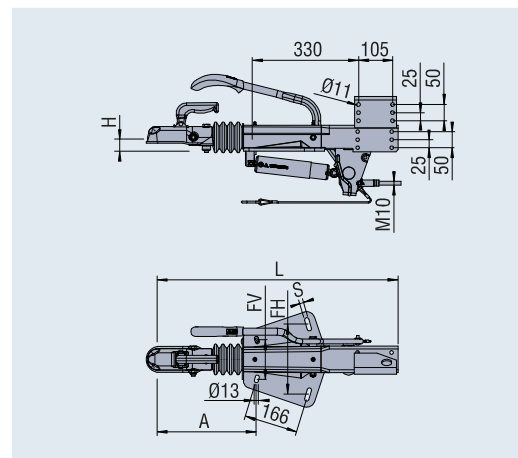
OVERRUN DEVICES V (TOWBAR CONNECTION PARTS)

ZAF, permitted gross weight 1,350 kg to 3,000 kg



SAP: ZUGLEITUNG KPL ZAF 2,5-3

Permitted gross weight [kg]	Sales designation	Type	Order No.	Reference No.	Dimensions [mm]								Perm. nose load [kg]	Drawbar installation version	Combined wheel brakes (RASX)	ECE test code	Weight [kg]
					A	H	L	FH	FH2	FV	S						
1,350-2,500	ZAF 3.5-3	-	402690	48.41.581.000	286	41	635	164-196	-	110	13	150	top	S2005-7 S2504-7	E1 55R-012016	16	

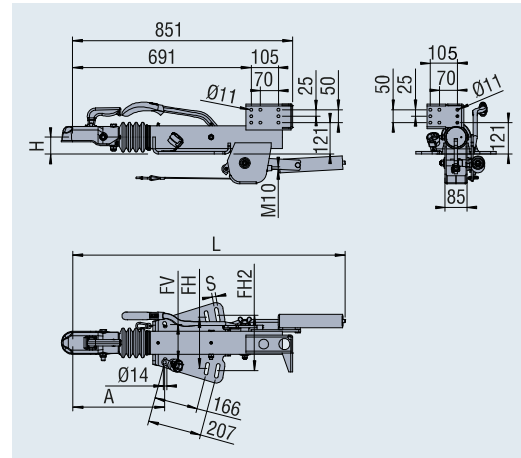


SAP: ZUGLEITUNG KPL ZAF 3,0-3 AUSF. 2,8

Permitted gross weight [kg]	Sales designation	Type	Order No.	Reference No.	Dimensions [mm]								Perm. nose load [kg]	Drawbar installation version	Combined wheel brakes (RASX)	ECE test code	Weight [kg]
					A	H	L	FH	FH2	FV	S						
1,800-2,800	ZAF 3,0-3	2,8	4014429	48.44.581.200	305	43	743	167-217	-	120	13	150	top/	S2005-7 S2504-7 S3006-7	E1 55R-012028	20,6	
		2,8	4014430	48.44.581.201	305	43	743	189-245	-	110-130	13	150	bot-				
		2,8	4014431	48.44.581.202	305	43	743	189-245	-	110-130	13	150	tom				
		3,0	4022305	48.46.581.010	311	43	665	167-223	-	130	13	150					

OVERRUN DEVICES V (TOWBAR CONNECTION PARTS)

ZAF, permitted gross weight 2,500 kg to 3,500 kg



3

SAP: ZUGEINRICHTUNG KPL ZAF 3,5-3

Permitted gross weight [kg]	Sales designation	Type	Order No.	Reference No.	Dimensions [mm]							Permitted nose load [kg]	Drawbar installation version	Combined wheel brakes (RASX)	ECE test code	Weight [kg]
					A	H	L	FH	FH2	FV	S					
2,500-3,500	ZAF 3.5-3	A	4014465	48.51.581.006	358	65	1044	166-133	175-258	130-150	14	150	top	S2005-7 S2504-7 S3006-7	E1 55R-010976	29.5

CONVERSION KITS FROM 1,350 TO 3,000 KG

	Order No.
DIN drawbar eye 40.0	4011558
NATO drawbar eye 76.0	4011559
iSC 3.0 (stabiliser)	4011528

DRAWBAR EYES FOR ZAF 3.5-3 AND ZAAQ 3.5-3

	Order No.
DIN drawbar eye 40.0	4011524
NATO drawbar eye 76.0	4008524



REAR DRAWBAR SHAFT STRAP FOR ZAF 1,0-3 TO ZAF 3,0-3

Dimension A	Dimension B	Order No.
160	200	4016571
185	245	4016566
160	220	4016565

