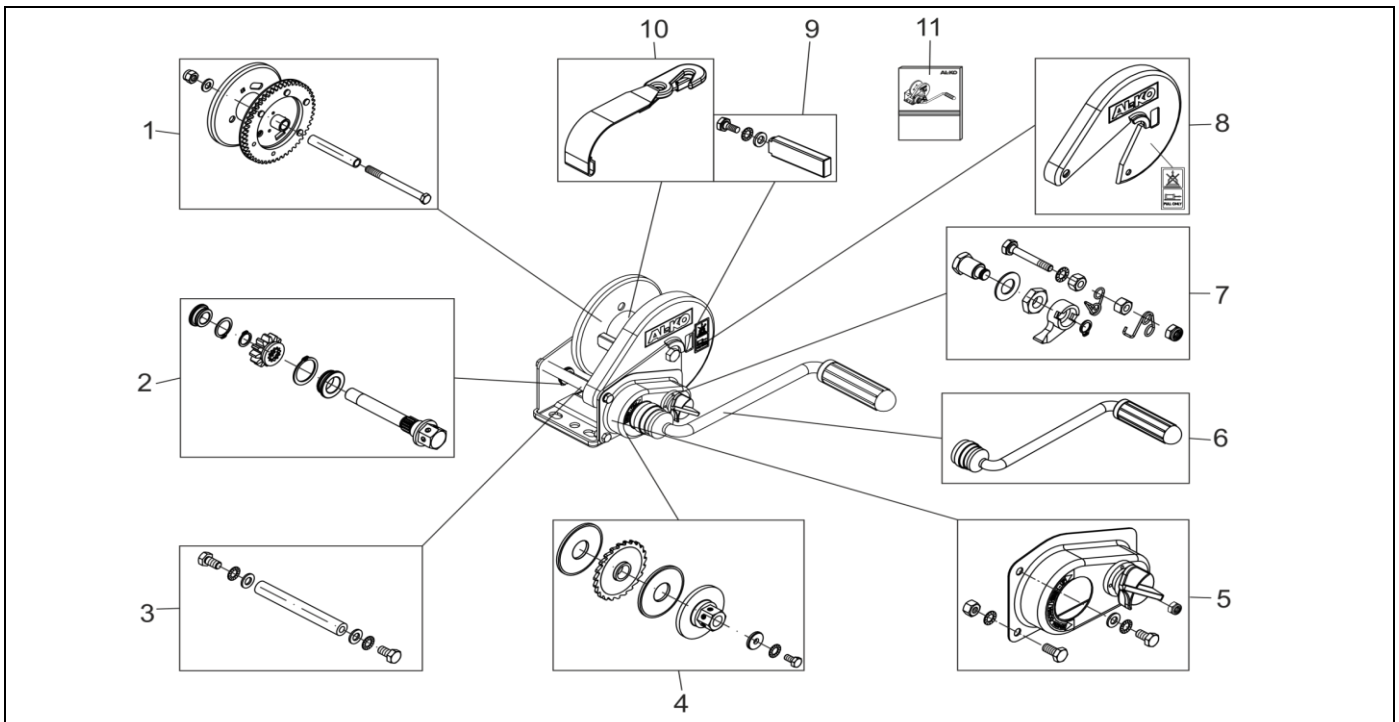


WINCH BASIC TYPE 450A BRAKED WITH ROLLING UP AUTOMATIC AND TEXTILE BOUND

ETI- No. 811656

(Specify the order with the ETI No.)



Item	Description	Part No.
1	ET-SET ROPE CYLINDER TYPE 450 A	1652325
2	ET-SET DRIVE SHAFT TYPE 450 A	1652326
3	ET-SET SPACER TUBE TYPE 450 A	1652327
4	ET-SET LOAD CONTROLLED BRAKE TYPE 450 A	1652328
5	ET-SET GEAR COVER TYPE 450 A	1652329
6	ET-SET CRANK TYPE 450 A	1652330
7	ET-SET RATCHET PAWL TYPE 450 A	1652331
8	ET-SET COVER TYPE 450 A	1652886
9	ET-SET FOR FIXING BAND TYPE 500	352514
10	TEXTILE STRAP 450KG (6M)	1225319
11	INSTRUCTION MANUAL DE/GB/NL/F/E/P/I/DK/S/N/FIN/EST/LV/LT D/SLO/HR/SRB/PL/CZ/SK/H/BG/RO/GR/TR/RUS/UA	352863 352864

ANY KIT IS INDIVIDUALLY PACKED IN A PLASTIC BAG WITH THE CORRESPONDING STICKERS AND IDENTIFIED

provided	ETI-No.	changed	Change No.	Reason of the change	Revisions-No.
12.03.14ÖJ	811656_en		FREIGABE		A