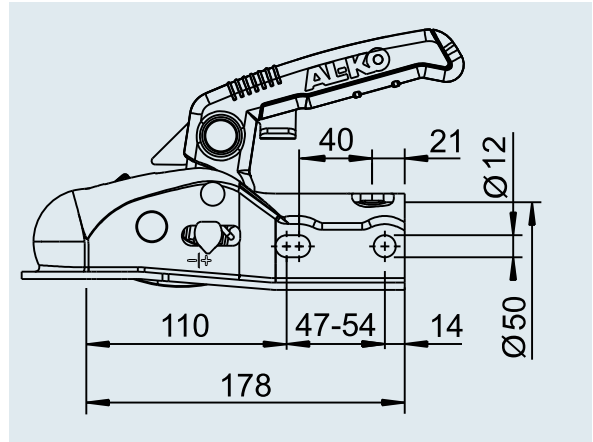


COUPLING HEAD AK 270

for braked trailers up to 2,700 kg



Coupling head AK 270 with Soft-Dock

SAP: KUPLNG KUGL AK270 D50 M BEDANLEIT	
Part No.	1730082
Barcode no.	4003718049770
Perm. gross weight	2,700 kg
Nose load	120 kg
D/Dc value	21.6 kN
Material	Steel
Holes	horizontal + cross
Tightening torque	75 Nm
ECE type approval no.	E1 55R-01 2669
	1.7 kg
	- 288 units

Coupling head AK 270 with Soft-Dock, spacers Ø 35/40/45

SAP: KUGL AK270 D50/45/40/35 M BA	
Part No.	1730083
Barcode no.	4003718049787
Perm. gross weight	2,700 kg
Nose load	120 kg
D/Dc value	21.6 kN
Material	Steel
Holes	horizontal + cross
Tightening torque	75 Nm
ECE type approval no.	E1 55R-01 2669
	1.9 kg
	- 156 units

Safety kit for AK 270 with Soft-Dock, spacers Ø 35/40/45, lock

SAP: KIT SAFETY AK270 D50/45/40/35 ZUBEHÖR	
Part No.	1730084
Barcode no.	4003718049794
Perm. gross weight	2,700 kg
Nose load	120 kg
D/Dc value	21.6 kN
Material	Steel
Holes	horizontal + cross
Tightening torque	75 Nm
ECE type approval no.	E1 55R-01 2669
	1.9 kg
	- 156 units



Lock barrel with Safety-Ball suitable for coupling head AK 161 / AK 270

SAP: KIT STECKSCHLOSS AK161/AK270	
Part No.	1730411
Barcode no.	4003718051704
	0.15 kg
	- -