

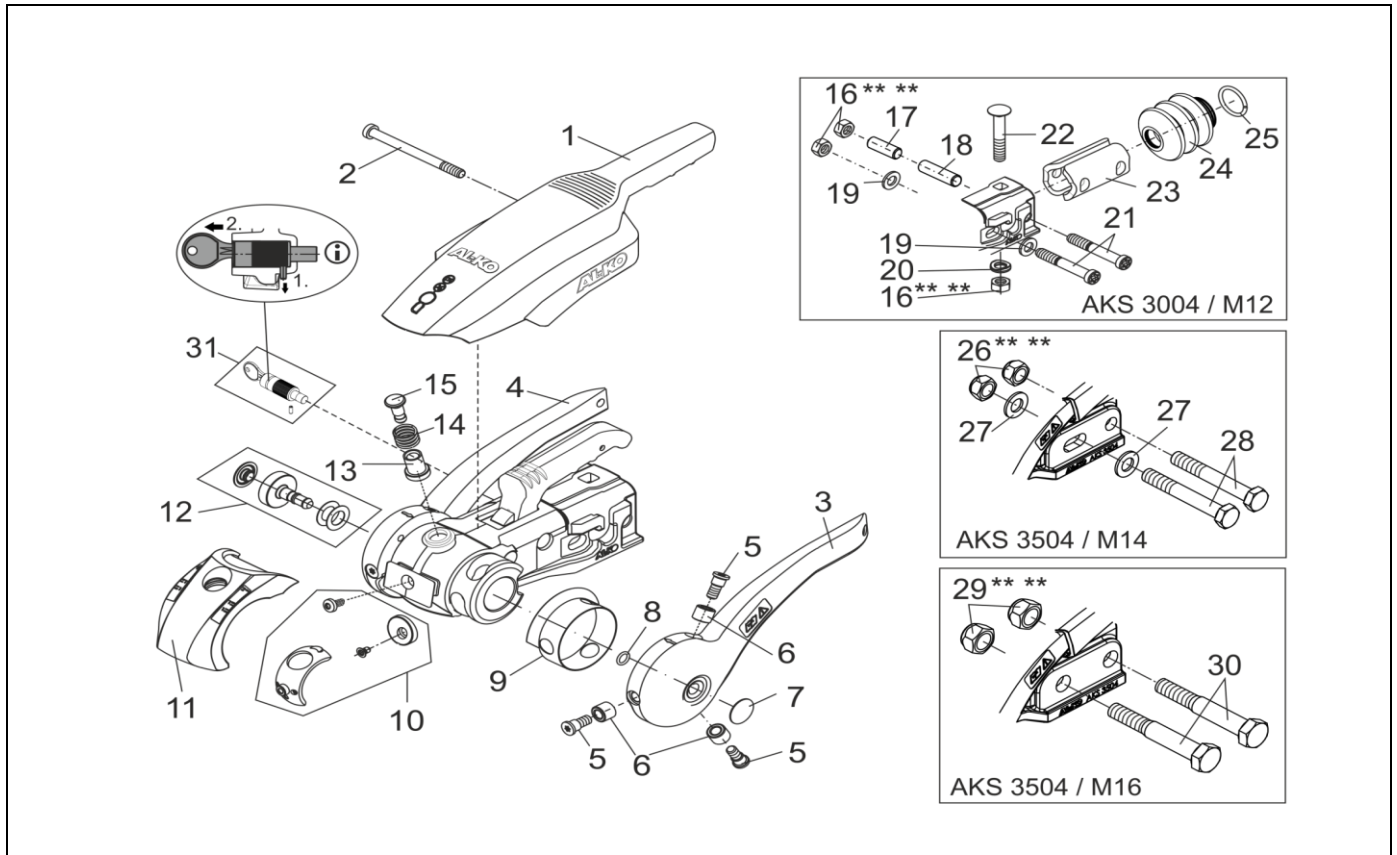
AKS 3004 M12 / 3504 M14/M16 FACELIFT AB 05/2011

ETI- No. 811607

(Specify the order with the ETI No.)

AL-KO

Spare Parts



Item	Description	Part No.
1	HANDLE	693589
2	CYLINDER HEAD SCREW WITH HEXAGON SOCKET	690246
3	LEVER ARM LEFT	690241
4	LEVER ARM RIGHT	690242
5	CYLINDER HEAD SCREW WITH HEXAGON SOCKET	372284
6	BEARING BUSH	380307
7	STOPPER	1367606
8	O-RING DIN 3771-9X2	703149
9	RING SEALING WASHER	372166
10	ET-SET FRICTION LININGS AKS 3004 / 3504	691418
11	SOFT DOCK AKS	693590
12	ET-SET PRESSURE BOLT AKS 3004 / 3504	1220755
13	SIGNAL BUTTON INSIDE GREEN	372288
14	PRESSURE SPRING	372285
15	SIGNAL BUTTON OUTSIDE RED	372287
16	HEX NUT DIN 985-M12-8-ZN8DISP ***	706437
17	MOUNTING BOLT 34MM	584883
18	MOUNTING BOLT 49MM	584884

Item	Description	Part No.
19	WASHER DIN125-A13-ZN8DISP	705397
20	WASHER FORM Ø12.5	663457
21	CYLINDER HEAD SCREW M12X78 WITH HEXAGON SOCKET	692034
22	BOLT FLAT ROUND M12X75	603392
23	DISTANCE BRACKET Ø35 DISTANCE BRACKET Ø45	692318 692319
24	BELLOWS AKS 3004	607133
25	CLAMPING RING	2072400208
26	HEX NUT DIN 985-M14-10-ZN8DISP ***	705693
27	WASHER DIN125-A15-ST-ZN8DISP	705490
28	HEX BOLT DIN 931-M14X100-10.9-ZN8DISP	706354
29	HEX NUT DIN 985-M16-8.8-ZN8DISP ***	706306
30	HEX BOLT DIN 931-M16X100-8.8-ZN8DISP	706301
31	ET-SET CYLINDER LOCK AKS 3504	1730301

i : AKS 3504 FROM 01/2014 ET-SET CYLINDER LOCK, ART.-NR. 1730301

*** FOR SAFETY REASONS: SELF-LOCKING NUT AND SCREW WITH CHEMICAL SELF-LOCKING MUST BE USED ONCE. AFTER UNTIGHTEN ALWAYS USE A NEW SPARE.

provided	ETI-No.	changed	Change No.	Reason of the change	Revisions-No.
17.11.10	811607_en		FREIGABE		A
		21.08.13/ÖJ	17280	DESIGN CHANGED	B
		10.04.14/ÖJ	17866	POS.31 NEW	C