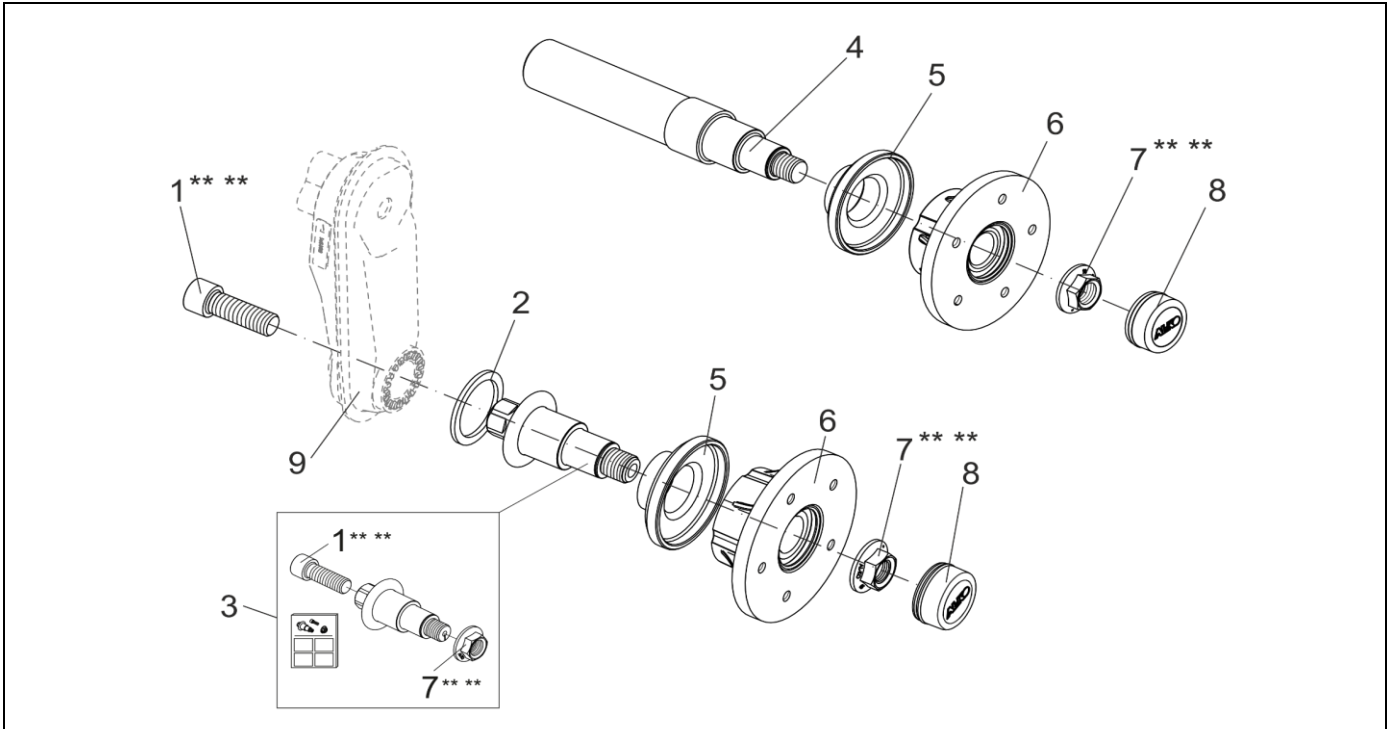


HUB 650 KG / UNIT-BEARING 34 SCREWED / WELDED M22

ETI- No. 811980

(Specify the order with the ETI No.)



Item	Description	Part No.
1	CYLINDER BOLT WITH HEXAGON SOCKET M22 ** **	706900
2	SPACER RING	1360053
3	ET-SET STUB AXLE Ø34 BEND 0° M22	1732680
4	STUB AXLE 650 KG WELDED	1360415
5	IMPACT PROTECTION	1360225
6	HUB COMPLETE WITH BEARINGS Ø98X4 M12x1.5	1360714
	Ø100X4 M12x1.5	1360243
	Ø112X5 M12x1.5	1360242
	SPARE PARTS SET: 1X BEARING, 1X CIRCLIP, 1X FLANGE NUT	1224801
7	FLANGE NUT M24X1,5 ** **	581200
8	END CAP Ø57	581197
9	SWINGARM	NO SPARE PART

** ** FOR SAFETY REASONS: SELF-LOCKING NUT AND SCREW WITH CHEMICAL SELF-LOCKING MUST BE

provided	ETI-No.	changed	Change No.	Reason of the change	Revisions-No.
04.10.18ÖJ	811980_en	14.07.2009	FREIGABE		A