

BRAKED AXLE 1,800 KG

112x5



TECHNOLOGY

Model:	BASIC	Wheel brake:	2361	Wheel connection:	112x5
Axle type:	B 1800-9	Suspension:	Hexagonal rubber suspension	Wheel bearing:	Compact bearing
Axle load:	SA 1,800 kg TA 1,750 kg (3,500 kg)	Swing arm:	160 mm	Centre hole rim:	min. 63 mm



Minimum order quantity
per date and item number is
20 units



SAP: ACHSE GU LNGS GRM EA1800 BASIC

OHF in mm	BC in mm	①	②	③	Select rear axle from column ③				
		Single axle Axle complete Wheel bolts Ball M 12x1.5	Tandem front axle Axle complete Wheel bolts Ball M 12x1.5	Rear axle Axle complete Wheel bolts Ball M 12x1.5	Single and tandem axle Front axle with top hat profile and fixing bolts Wheel bolts Ball M12x1.5				
1,370	900	20064001	20064040	20064080	20064120	73.9	-	20	25
1,420	950	20064002	20064041	20064081	20064121	74.4	-	20	25
1,470	1,000	1701879	20064042	20064082	20064122	74.9	-	20	25
1,520	1,050	20064003	20064043	20064083	20064123	75.4	-	20	25
1,570	1,100	20064004	20064044	20064084	20064124	75.9	-	20	25
1,620	1,150	20064005	20064045	20064085	20064125	76.4	-	20	25
1,670	1,200	20064006	20064046	20064086	20064126	76.9	-	20	25
1,720	1,250	20064007	20064047	20064087	20064127	77.4	-	20	25
1,770	1,300	20064008	20064048	20064088	20064128	77.9	-	20	25
1,820	1,350	20064009	20064049	20064089	20064129	78.4	-	20	25
1,870	1,400	20064010	20064050	20064090	20064130	78.9	-	20	25
1,920	1,450	20064011	20064051	20064091	20064131	79.4	-	20	25
1,970	1,500	20064012	20064052	20064092	20064132	79.9	-	20	25
2,020	1,550	20064013	20064053	20064093	20064133	80.4	-	20	25
2,070	1,600	20064014	20064054	20064094	20064134	80.9	-	20	25
2,120	1,650	20064015	20064055	20064095	20064135	81.4	-	20	25
2,170	1,700	20064016	20064056	20064096	20064136	81.9	-	20	25
2,220	1,750	20064017	20064057	20064097	20064137	82.4	-	20	25
2,270	1,800	20064018	20064058	20064098	20064138	82.9	-	20	25
2,320	1,850	20064019	20064059	20064099	20064139	83.4	-	20	25

SCOPE OF SUPPLY

- ▮ Single axle adapter bracket welded on (single axle and tandem adapter bracket)
- ▮ Compensation profile for single axle supplied
- ▮ Bowden cables loose
- ▮ Wheel bolts loose

Separate order for tandem

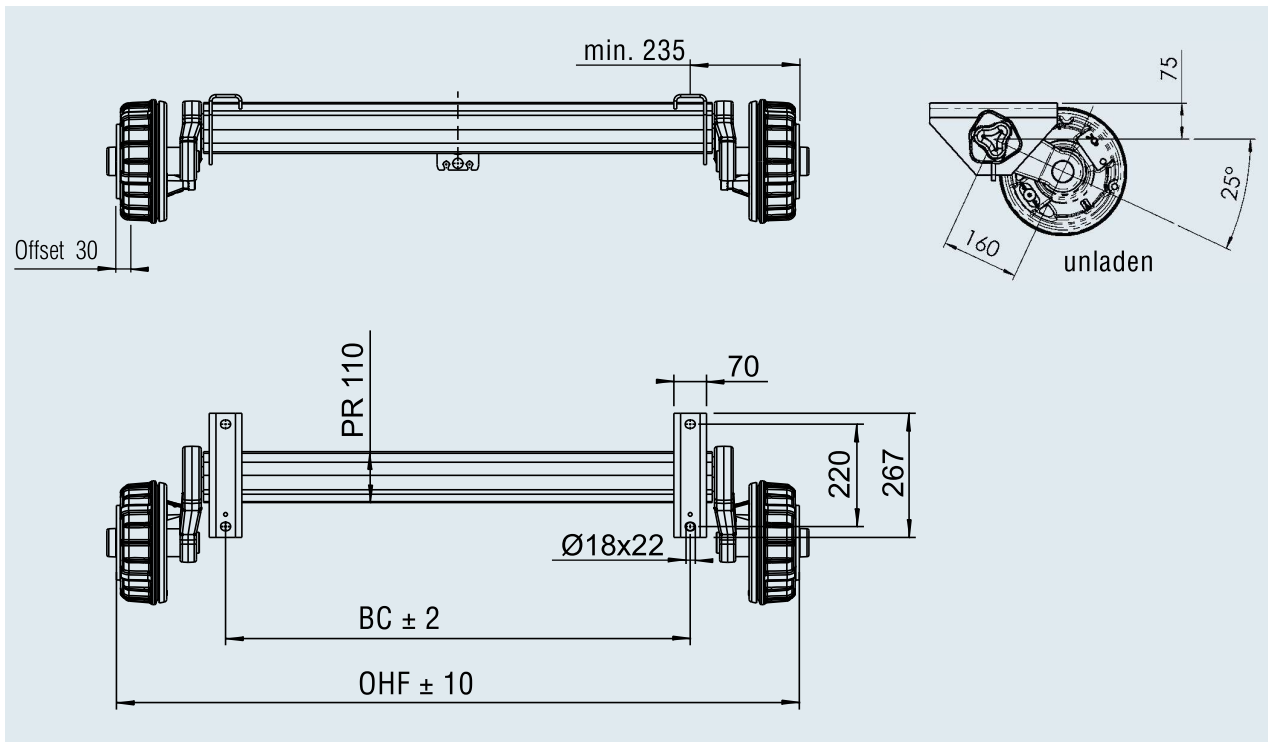
- ▮ Tandem adapter bracket, bolt-on 249236
- ▮ Tandem compensation 238576

SURFACE TREATMENT

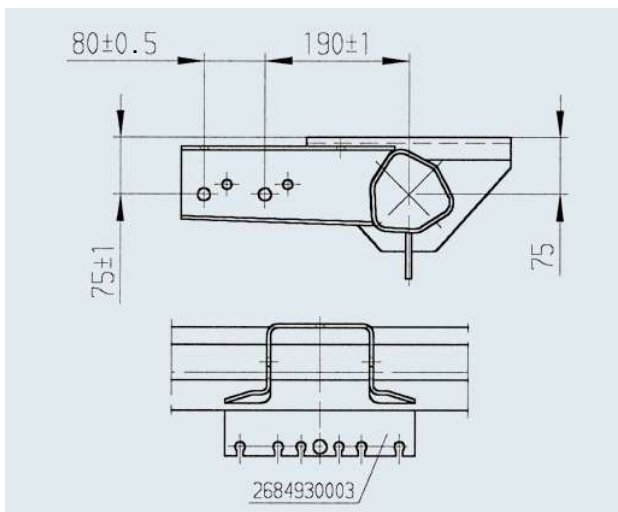
- ▮ Axle profile hot-dip galvanised
- ▮ Wheel brake cataphoretically coated

ACCESSORIES

- ▮ Shock absorber (see table of contents)



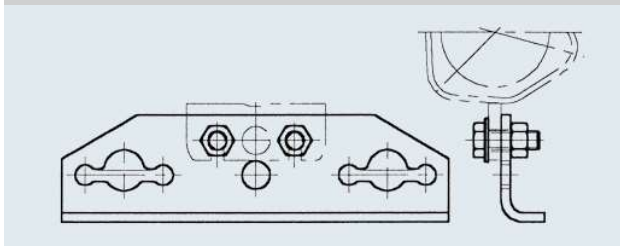
Accessories for top hat profile incl. adapter bracket for single axle and tandem



Accessories for tandem

Bolt-on tandem adapter bracket

Part No. 249236



Tandem compensation

Part No. 238576

