

# BRAKED AXLE 900 KG BASIC

## 100 x 4



### TECHNOLOGY

Model:	BASIC	Suspension:	Hexagonal rubber suspension
Axle type:	B 850-5	Swing arm:	160 mm
Axle load:	SA 900 kg	Wheel connection:	100x4
	TA 1,600 kg	Wheel bearing:	Compact bearing
Wheel brake:	1637	Rim centre hole:	Min. 57 mm



SAP: EURO1ACHSE GRM GLL EA 900

OHF in mm	BC in mm	Single axle		Tandem axle				38	-	30	10
		Wheel bolts		Front axle wheel bolts		Rear axle wheel bolts					
		Ball M 12x1.5 Axle cpl.	Taper M 12x1.5 Axle cpl.	Ball M 12x1.5 Axle cpl.	Taper M 12x1.5 Axle cpl.	Ball M 12x1.5 Axle cpl.	Taper M 12x1.5 Axle cpl.				
1,250	800	200 150 01	200 150 02	200 150 03	200 150 04	200 150 05	200 150 06				
1,300	850	200 151 01	200 151 02	200 151 03	200 151 04	200 151 05	200 151 06				
1,350	900	200 152 01	200 152 02	200 152 03	200 152 04	200 152 05	200 152 06				
1,400	950	200 153 01	200 153 02	200 153 03	200 153 04	200 153 05	200 153 06				
1,450	1,000	244 009 01	244 009	244 009 03	244 009 04	244 009 05	244 009 06				
1,490	1,040	200 155 01	200 155 02	200 155 03	200 155 04	200 155 05	200 155 06				
1,520	1,070	200 156 01	200 156 02	200 156 03	200 156 04	200 156 05	200 156 06				
1,550	1,100	244 010 01	244 010	244 010 03	244 010 04	244 010 05	244 010 06				
1,600	1,150	200 158 01	200 158 02	200 158 03	200 158 04	200 158 05	200 158 06				
1,650	1,200	244 011 01	244 011	244 011 03	244 011 04	244 011 05	244 011 06				
1,670	1,220	200 160 01	200 160 02	200 160 03	200 160 04	200 160 05	200 160 06				
1,700	1,250	244 012 01	244 012	244 012 03	244 012 04	244 012 05	244 012 06				
1,760	1,310	200 162 01	200 162 02	200 162 03	200 162 04	200 162 05	200 162 06				
1,800	1,350	200 163 01	200 163 02	200 163 03	200 163 04	200 163 05	200 163 06				
1,850	1,400	244 013 01	244 013	244 013 03	244 013 04	244 013 05	244 013 06				
1,900	1,450	200 165 01	200 165 02	200 165 03	200 165 04	200 165 05	200 165 06				
1,950	1,500	244 014 01	244 014	244 014 03	244 014 04	244 014 05	244 014 06				
1,980	1,530	200 167 01	200 167 02	200 167 03	200 167 04	200 167 05	200 167 06				
2,000	1,550	244 015 01	244 015	244 015 03	244 015 04	244 015 05	244 015 06				
2,030	1,580	200 169 01	200 169 02	200 169 03	200 169 04	200 169 05	200 169 06				
2,075	1,625	200 170 01	200 170 02	200 170 03	200 170 04	200 170 05	200 170 06				
2,120	1,670	200 171 01	200 171 02	200 171 03	200 171 04	200 171 05	200 171 06				
2,150	1,700	200 172 01	200 172 02	200 172 03	200 172 04	200 172 05	200 172 06				
2,200	1,750	200 173 01	200 173 02	200 173 03	200 173 04	200 173 05	200 173 06				
2,250	1,800	200 174 01	200 174 02	200 174 03	200 174 04	200 174 05	200 174 06				
2,300	1,850	200 175 01	200 175 02	200 175 03	200 175 04	200 175 05	200 175 06				

**SCOPE OF DELIVERY**

- ▮ Single axle adapter bracket welded onto top hat profile (single axle and tandem adapter bracket)
- ▮ Compensation profile for single axle supplied
- ▮ Bowden cables loose
- ▮ Wheel bolts loose

**Separate order for tandem**

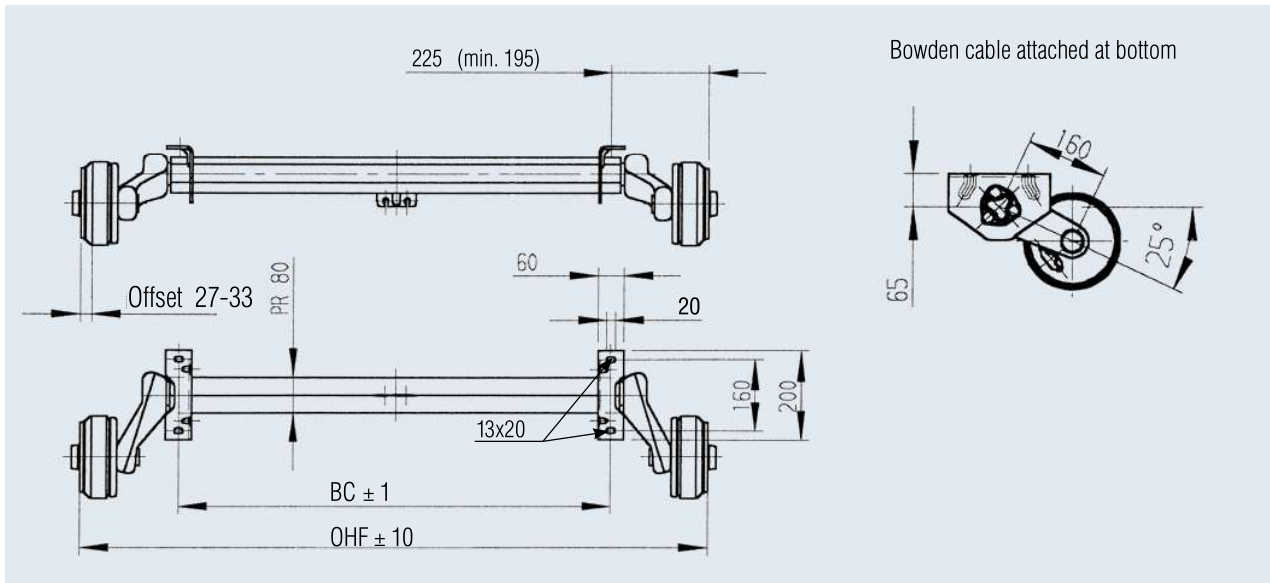
- ▮ Bolt-on tandem adapter bracket 249 236
- ▮ Tandem compensation 238 576

**SURFACE TREATMENT**

- ▮ Axle profile hot-dip galvanised
- ▮ Wheel brake galvanised

**ACCESSORIES**

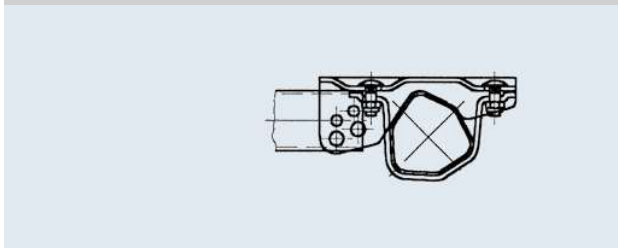
- ▮ Shock absorber (see table of contents)



**Accessories for bolt-on drawbar connection profiles**

Ø 70 / Ø 88.9 / □ 60 / □ 70 / □ 100

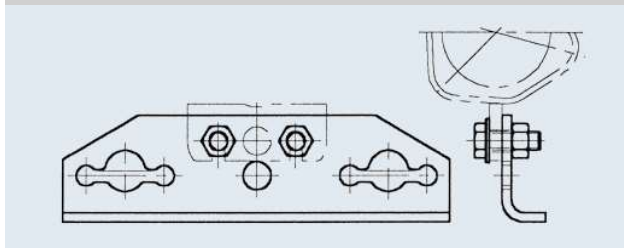
Part no. **247 853**



**Accessories for tandem**

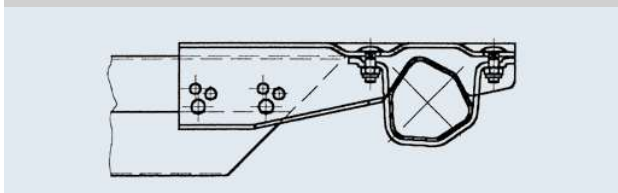
Bolt-on tandem adapter bracket

Part no. **249 236**



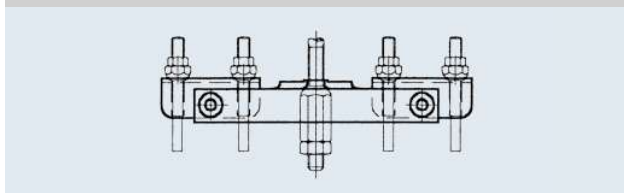
101 VB / 161 VB

Part no. **249 116**



Tandem compensation

Part no. **238 576**



# BRAKED AXLE 900 KG BASIC

## 112x5



### TECHNOLOGY

Model:	BASIC	Suspension:	Hexagonal rubber suspension
Axle type:	B 850-5	Swing arm:	160 mm
Axle load:	SA 900 kg	Wheel connection:	112x5
	TA 1,600 kg	Wheel bearing:	Compact bearing
Wheel brake:	1637	Rim centre hole:	Min. 57 mm



SAP: EURO1ACHSE GRM GLL EA 900

OHF in mm	BC in mm	Single axle		Tandem axle				38	-	30	10
		Wheel bolts		Front axle wheel bolts		Rear axle wheel bolts					
		Ball M 12x1.5 Axle cpl.	Taper M 12x1.5 Axle cpl.	Ball M 12x1.5 Axle cpl.	Taper M 12x1.5 Axle cpl.	Ball M 12x1.5 Axle cpl.	Taper M 12x1.5 Axle cpl.				
1,250	800	200 068 01	200 068 02	200 068 03	200 068 04	200 068 05	200 068 06	38	-	30	10
1,300	850	200 069 01	200 069 02	200 069 03	200 069 04	200 069 05	200 069 06	38	-	30	10
1,350	900	200 070 01	200 070 02	200 070 03	200 070 04	200 070 05	200 070 06	38	-	30	10
1,400	950	200 071 01	200 071 02	200 071 03	200 071 04	200 071 05	200 071 06	38	-	30	10
1,450	1,000	244 016	244 016 02	244 016 03	244 016 04	244 016 05	244 016 06	39	-	30	10
1,490	1,040	200 072 01	200 072 02	200 072 03	200 072 04	200 072 05	200 072 06	39	-	30	10
1,520	1,070	200 073 01	200 073 02	200 073 03	200 073 04	200 073 05	200 073 06	39	-	30	10
1,550	1,100	244 017	244 017 02	244 017 03	244 017 04	244 017 05	244 017 06	39	-	30	10
1,600	1,150	200 074 01	200 074 02	200 074 03	200 074 04	200 074 05	200 074 06	40	-	30	10
1,650	1,200	244 018	244 018 02	244 018 03	244 018 04	244 018 05	244 018 06	40	-	30	10
1,670	1,220	200 075 01	200 075 02	200 075 03	200 075 04	200 075 05	200 075 06	40	-	30	10
1,700	1,250	244 019	244 019 02	244 019 03	244 019 04	244 019 05	244 019 06	40	-	30	10
1,760	1,310	200 076 01	200 076 02	200 076 03	200 076 04	200 076 05	200 076 06	41	-	30	10
1,800	1,350	200 077 01	200 077 02	200 077 03	200 077 04	200 077 05	200 077 06	41	-	30	10
1,850	1,400	244 020	244 020 02	244 020 03	244 020 04	244 020 05	244 020 06	41	-	30	10
1,900	1,450	200 078 01	200 078 02	200 078 03	200 078 04	200 078 05	200 078 06	41	-	30	10
1,950	1,500	244 021	244 021 02	244 021 03	244 021 04	244 021 05	244 021 06	41	-	30	10
1,980	1,530	200 079 01	200 079 02	200 079 03	200 079 04	200 079 05	200 079 06	42	-	30	10
2,000	1,550	244 022	244 022 02	244 022 03	244 022 04	244 022 05	244 022 06	42	-	30	10
2,030	1,580	200 080 01	200 080 02	200 080 03	200 080 04	200 080 05	200 080 06	42	-	30	10
2,075	1,625	200 081 01	200 081 02	200 081 03	200 081 04	200 081 05	200 081 06	42	-	30	10
2,120	1,670	200 082 01	200 082 02	200 082 03	200 082 04	200 082 05	200 082 06	42	-	30	10
2,150	1,700	200 083 01	200 083 02	200 083 03	200 083 04	200 083 05	200 083 06	43	-	30	10
2,200	1,750	200 084 01	200 084 02	200 084 03	200 084 04	200 084 05	200 084 06	43	-	30	10
2,250	1,800	200 085 01	200 085 02	200 085 03	200 085 04	200 085 05	200 085 06	43	-	30	10
2,300	1,850	200 086 01	200 086 02	200 086 03	200 086 04	200 086 05	200 086 06	43	-	30	10

**SCOPE OF DELIVERY**

- ▮ Single axle adapter bracket welded onto top hat profile (single axle and tandem adapter bracket)
- ▮ Compensation profile for single axle supplied
- ▮ Bowden cables loose
- ▮ Wheel bolts loose

**Separate order for tandem**

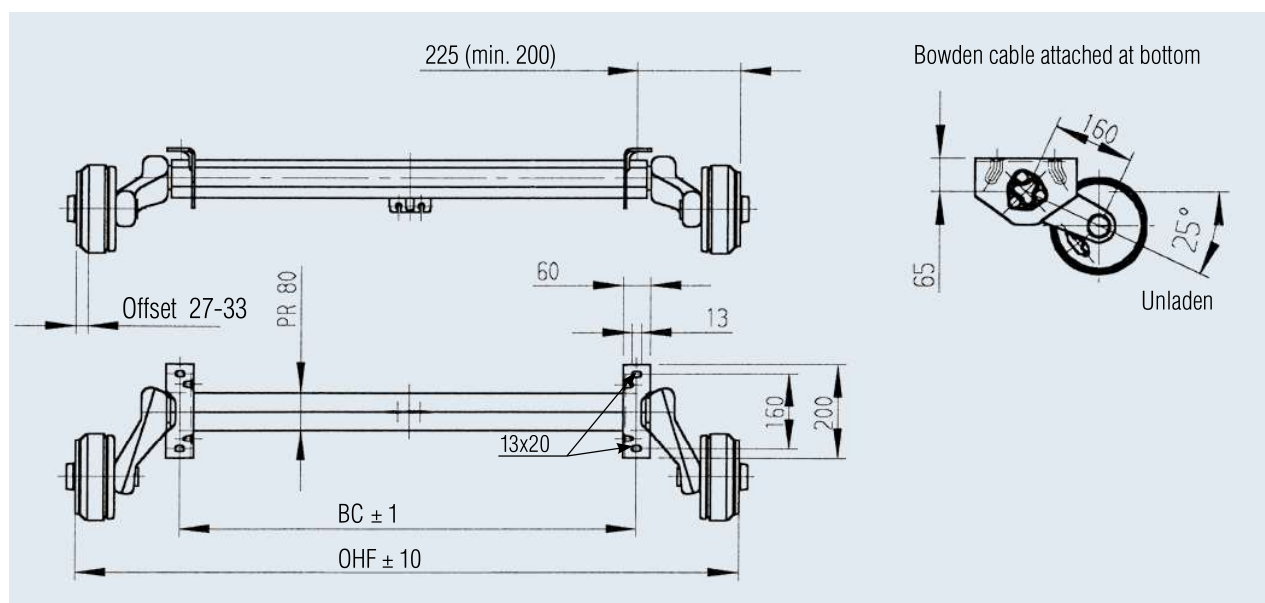
- ▮ Bolt-on tandem adapter bracket 249 236
- ▮ Tandem compensation 238 576

**SURFACE TREATMENT**

- ▮ Axle profile hot-dip galvanised
- ▮ Wheel brake galvanised

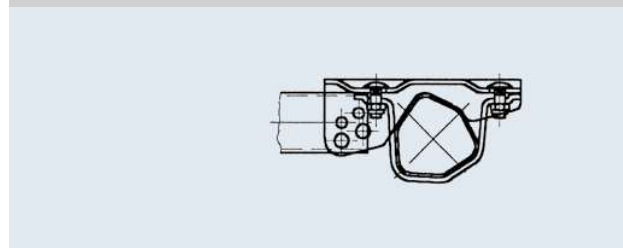
**ACCESSORIES**

- ▮ Shock absorber  
(see table of contents)

**Accessories for bolt-on drawbar connection profiles**

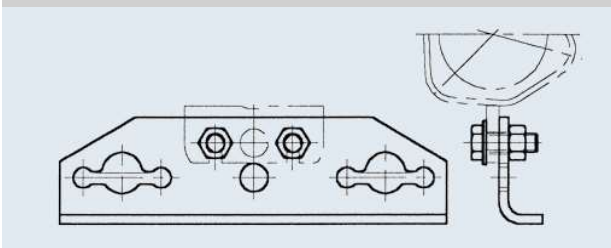
Ø 70 / Ø 88.9 / □ 60 / □ 70 / □ 100

Part no. **247 853**

**Accessories for tandem**

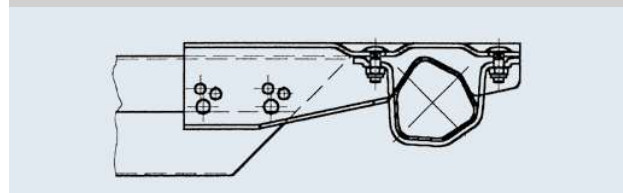
Bolt-on tandem adapter bracket

Part no. **249 236**



101 VB / 161 VB

Part no. **249 116**



Tandem compensation

Part no. **238 576**

