

SQUARE OVERRUN DEVICE

with drawbar section straight 2,500 to 3,500 kg

TECHNOLOGY

Type 2.8 VB/1-C - R35 vers. B

GA 2,500 to 3,500 kg

Perm. nose load 150 kg

Changeover relay lever:

Yes No

ECE test report no.:

Overrun device: 361-0045-97

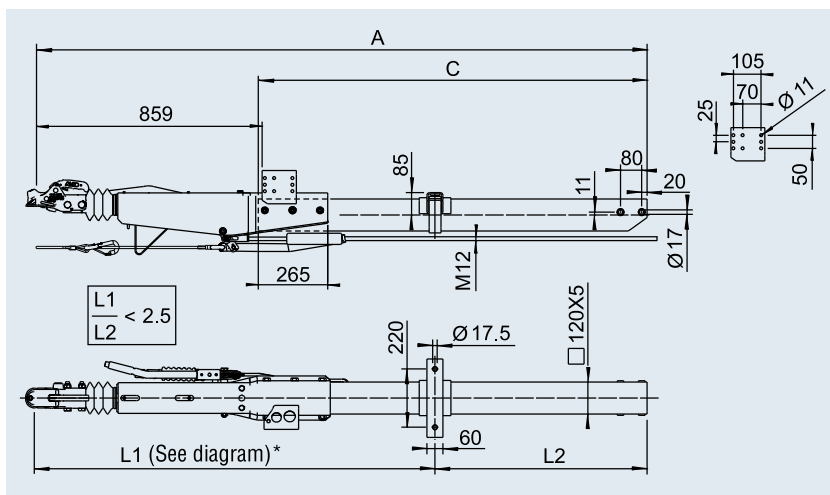
ECE type approval no.:

Drawbar installation: E1 55R-01 0378

Drawbar: E1 55R-01 0762

Max. free drawbar length with GA 3500 kg:

1,820 mm



* Diagram see table of contents



SAP: AE KPL VKT 251S M ZUGVERBNDG K26/B

With coupling head AK 351 for wheel brake 2051 / 2361 (90/32)

Part no. 2051	Part no. 2361	Dimension					
		C in mm	A in mm				
200 364 63	200 363 50	980	1,815	47.0	-	20	10
200 364 64	200 363 51	1,140	1,975	49.6	-	20	10
200 364 65	200 363 52	1,300	2,135	52.2	-	20	10
200 364 66	200 363 53	1,460	2,295	54.8	-	20	10
200 364 67	200 363 54	1,620	2,455	57.4	-	20	10
200 364 68	200 363 55	1,780	2,615	60.0	-	20	10
200 364 69	200 363 56	1,940	2,775	62.6	-	20	10
200 364 70	200 363 57	2,100	2,935	65.2	-	20	10
200 364 71	200 363 58	2,260	3,095	67.8	-	20	10
200 364 72	200 363 59	2,420	3,255	70.4	-	20	10
200 364 73	200 363 60	2,580	3,415	73.0	-	20	10
200 364 74	200 363 61	2,740	3,575	75.6	-	20	10
200 364 75	200 363 62	2,900	3,735	78.2	-	20	10

with coupling head AK 351 for wheel brake 3081

On request

SQUARE OVERRUN DEVICE

with drawbar section straight 2,500 to 3,500 kg without hitch component

TECHNOLOGY

Type 2.8 VB/1-C - R35 vers. B

GA 2,500 to 3,500 kg

Perm. nose load 150 kg

Changeover relay lever:

Yes No

ECE test report no.:

Overrun device: 361-0045-97

ECE type approval no.:

Drawbar installation: E1 55R-01 0378

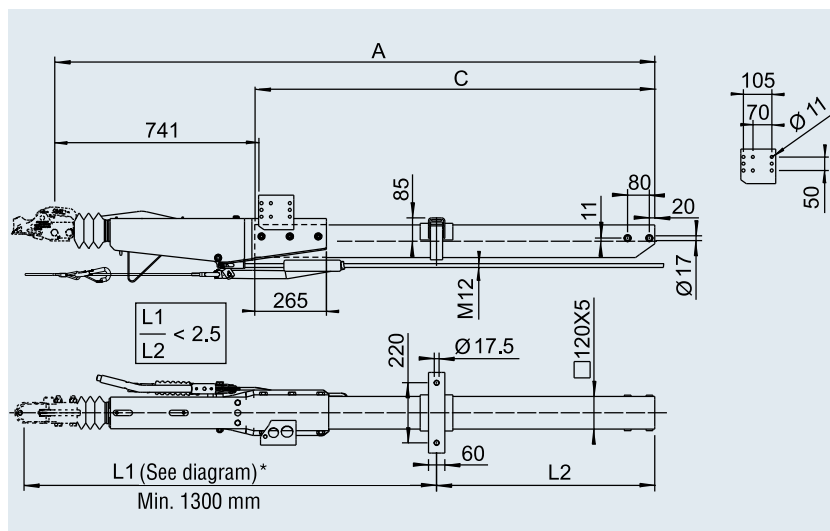
Drawbar: E1 55R-01 0762

Max. free drawbar length with GA 3500 kg:

1,820 mm

See table of contents

for appropriate drawbar eyes



* Diagram see table of contents



SAP: AE VKT 2,8VB OHNE VKT 120 RB2051

without hitch component for wheel brake 2051 / 2361 (90/32)

Part no. 2051	Part no. 2361	Dimension					
		C in mm	A in mm				
200 364 50	200 363 63	980	1700	45.4	—	20	10
200 364 51	200 363 64	1140	1860	48.0	—	20	10
200 364 52	200 363 65	1300	2020	50.6	—	20	10
200 364 53	200 363 66	1460	2180	53.2	—	20	10
200 364 54	200 363 67	1620	2340	55.8	—	20	10
200 364 55	200 363 68	1780	2500	58.4	—	20	10
200 364 56	200 363 69	1940	2660	61.0	—	20	10
200 364 57	200 363 70	2100	2820	63.6	—	20	10
200 364 58	200 363 71	2260	2980	66.2	—	20	10
200 364 59	200 363 72	2420	3140	68.8	—	20	10
200 364 60	200 363 73	2580	3300	71.4	—	20	10
200 364 61	200 363 74	2740	3460	74.0	—	20	10
200 364 62	200 363 75	2900	3620	76.6	—	20	10