

LOWERING AXLES DOWN TO 140 MM

Single axle trailer 1,350 kg to 1,500 kg

TECHNOLOGY

Axle type: BRA 1600-05
BRA 1600-3
Axle load SA: 1,350 kg / 1,500 kg
Wheel brake: 2051Ab
Wheel connection: 112x5
Wheel bolts: M12x1.5 ball




SCOPE OF DELIVERY

Included in the scope of delivery:
I Hydraulic cylinder with mounting components
I Adapter bracket single axle loose
I Recovery device
I Compensation profile
I Bowden cables loose
I Wheel bolts loose




SURFACE TREATMENT

I Hot-dip galvanised axle profile
I Wheel brake galvanised

SAP: ACHSE GU BRA GLL EA1350

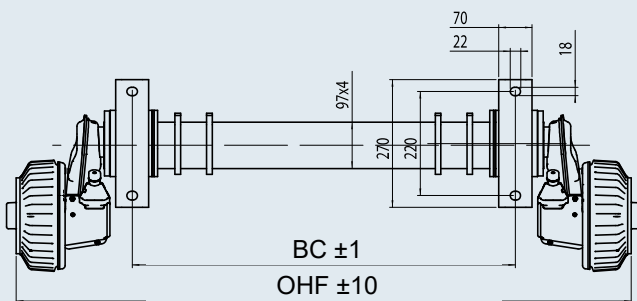
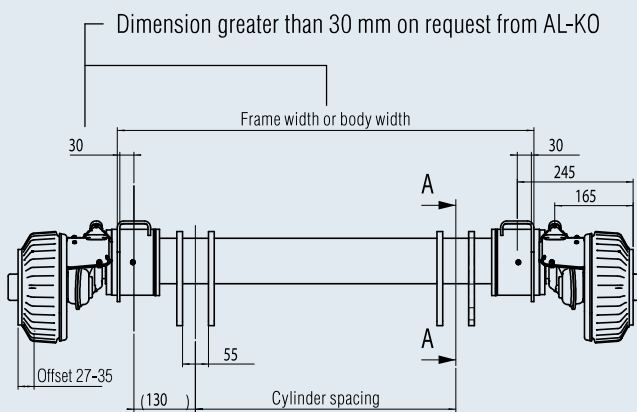
Part no.	Type	Axle load kg	BC mm	OHF mm	Cylinder spacing mm			
200 572 01	BRA 1600-05	1,350	1,100	1,590	840	88	20	20
200 572 02	BRA 1600-05	1,350	1,200	1,690	940	89	20	20
200 572 03	BRA 1600-05	1,350	1,300	1,790	1,040	90	20	20
200 572 04	BRA 1600-05	1,350	1,400	1,890	1,140	91	20	20
200 572 05	BRA 1600-05	1,350	1,500	1,990	1,240	92	20	20
200 572 06	BRA 1600-05	1,350	1,600	2,090	1,340	93	20	20
200 572 07	BRA 1600-05	1,350	1,700	2,190	1,440	94	20	20
200 572 08	BRA 1600-05	1,350	1,800	2,290	1,540	95	20	20
200 572 09	BRA 1600-05	1,350	1,900	2,390	1,640	96	20	20

SAP: ACHSE GU BRA GLL EA1500

Part no.	Type	Axle load kg	BC mm	OHF mm	Cylinder spacing mm			
200 572 10	BRA 1600-3	1,500	1,100	1,590	840	88	20	20
200 572 11	BRA 1600-3	1,500	1,200	1,690	940	89	20	20
200 572 12	BRA 1600-3	1,500	1,300	1,790	1,040	90	20	20
200 572 13	BRA 1600-3	1,500	1,400	1,890	1,140	91	20	20
200 572 14	BRA 1600-3	1,500	1,500	1,990	1,240	92	20	20
200 572 15	BRA 1600-3	1,500	1,600	2,090	1,340	93	20	20
200 572 16	BRA 1600-3	1,500	1,700	2,190	1,440	94	20	20
200 572 17	BRA 1600-3	1,500	1,800	2,290	1,540	95	20	20
200 572 18	BRA 1600-3	1,500	1,900	2,390	1,640	96	20	20

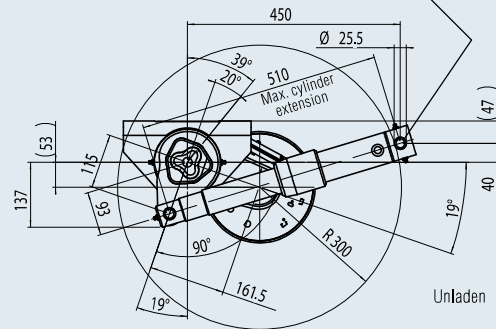
Only comply with this note if the body width and frame form a perpendicular plane!

If the body is mounted over the wheels, the maximum dimension of 30 mm for the frame must be adhered to!

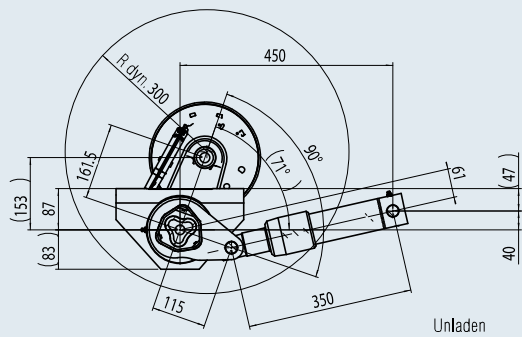


In driving position!

Articulation point on the frame of the vehicle manufacturer



In lowered position!



Permitted tyre size min. R stat. 270 mm

The tyre radius must not be less than R stat. 270 mm!

Max. lowering travel approx. 140 mm

Suspension travel approx. 50 mm at 1 x GA