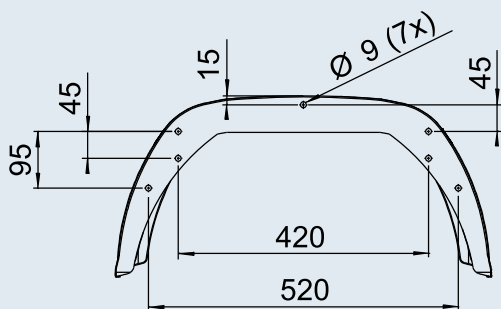


# MUDGUARDS

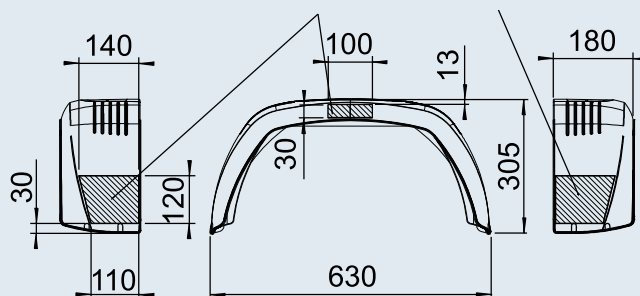
Single axle trailer, without mud flap



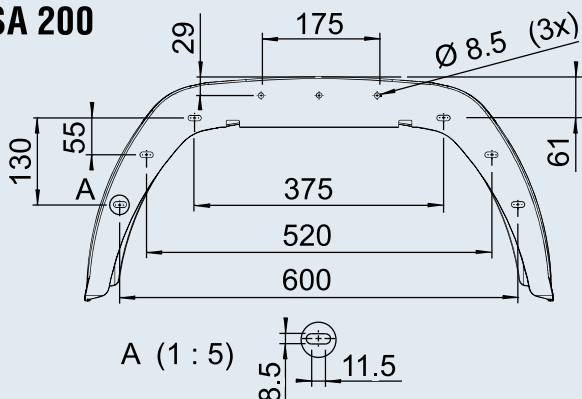
## SA 180



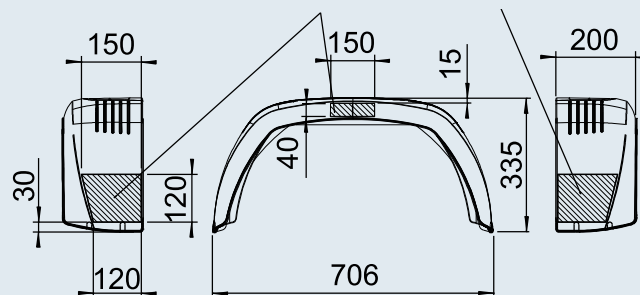
### Area for customer logo (optional)

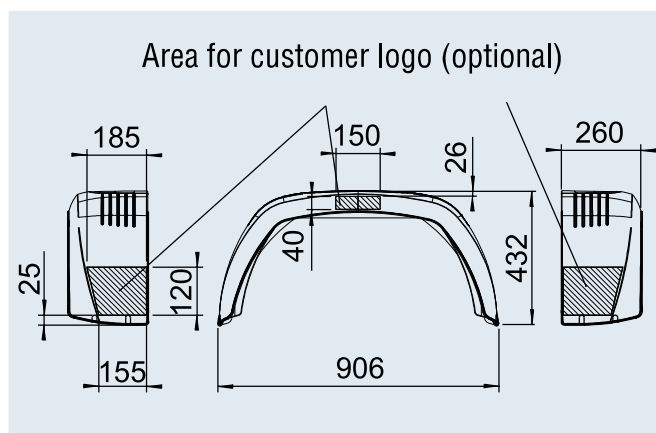
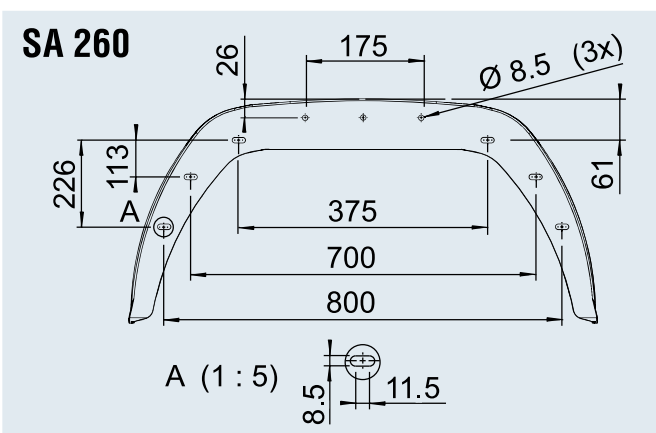
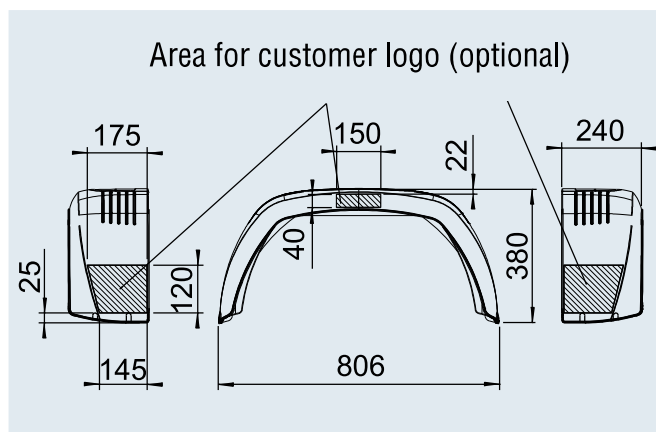
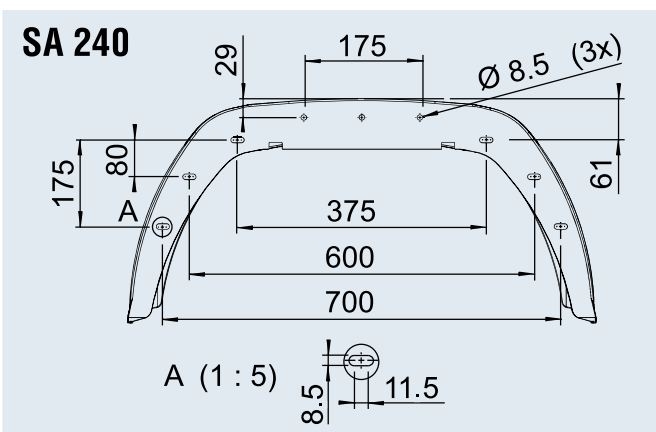
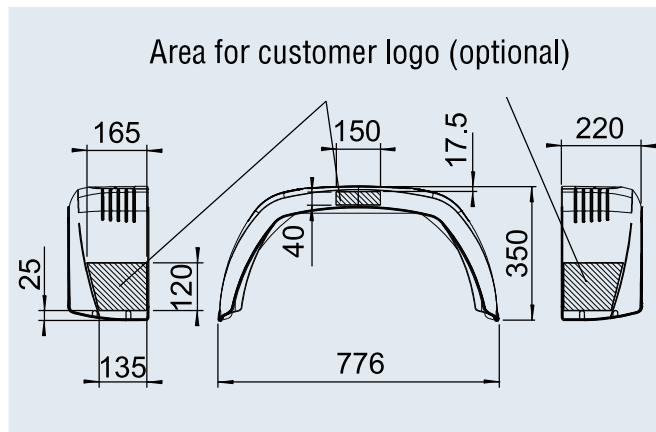
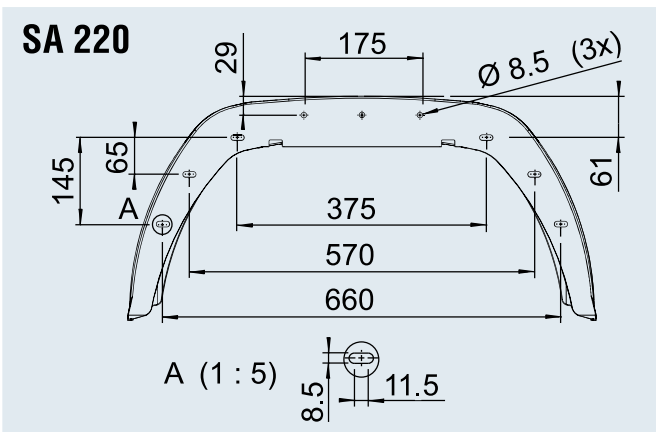


## SA 200



### Area for customer logo (optional)





**PLUS mudguard, single axle trailer, without mud flap**

Type	Part no.	SAP	Process	RAL colour	max. perm. tyre radius				
SA 180	1 258 797	KOTFLÜGEL BKS EA180 MM SCHWARZ GL	injection-moulded	Similar to black RAL 9017	260 mm	0.41	-	100	2
SA 200	1 259 576	KOTFLÜGEL BKS EA200/706 MM SCHWARZ	injection-moulded	Similar to black RAL 9017	285 mm	0.85	-	60	2
SA 220	1 259 577	KOTFLÜGEL BKS EA220/776 MM SCHWARZ	injection-moulded	Similar to black RAL 9017	300 mm	0.98	-	40	2
SA 240	1 259 578	KOTFLÜGEL BKS EA240/806 MM SCHWARZ	injection-moulded	Similar to black RAL 9017	325 mm	1.13	-	30	2
SA 260	1 259 163	KOTFLÜGEL BKS EA260/900 MM SCHWARZ	injection-moulded	Similar to black RAL 9017	370 mm	1.28	-	30	2