

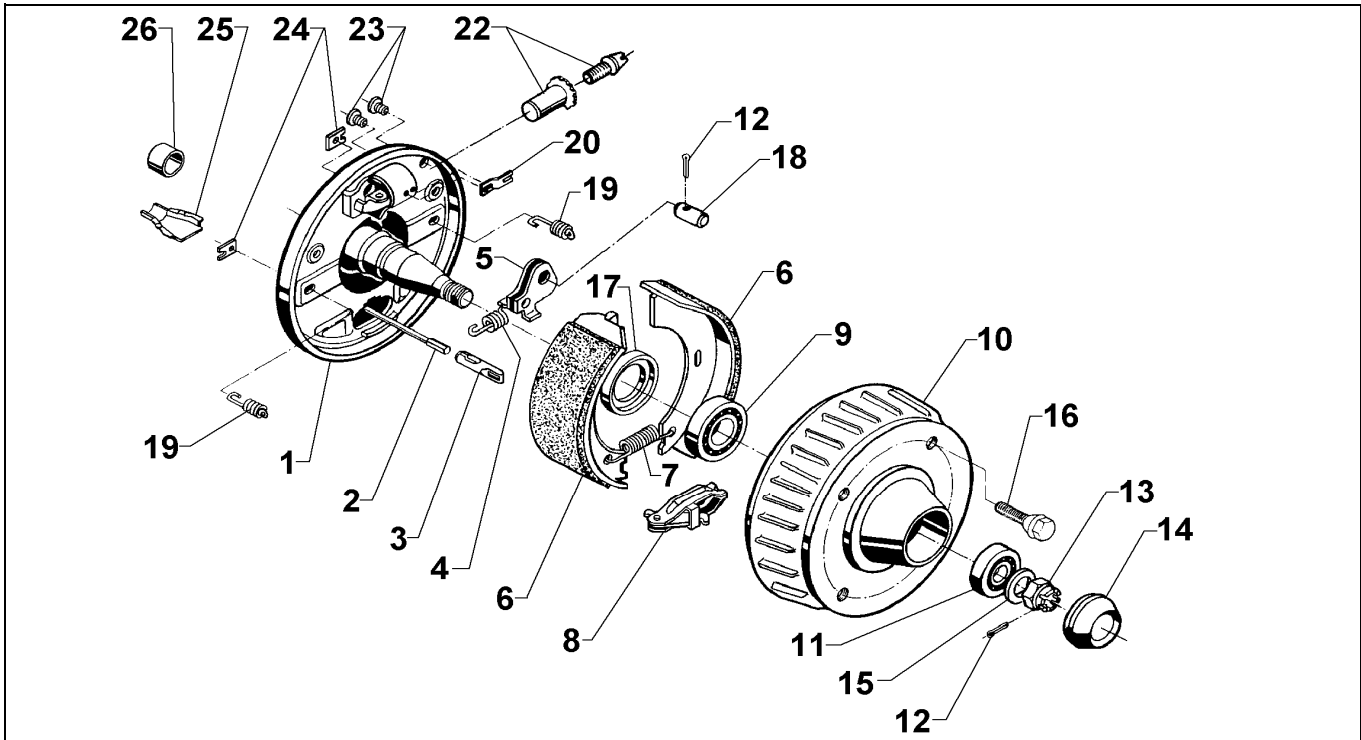
# WHEEL BRAKE STANDARD 1625/1625AR

ETI- No. 811222

(Specify the order with the ETI No.)

**AL-KO**

Spare Parts



Item	Description	Drawing No.
1	BRAKING PLATE WITH STUB AXLE	NO SPARE PART
2	BOWDENCABLE HANGABLE CASING LENGTH	
	350	299707
	530	299708
	770	299709
	890	299710
	1020	299711
	1130	299712
	1320	299713
	1430	299714
	1620	299715
	1790	299716
3	CONNECTION EYE	604262
4	TENSION SPRING LEFT WHEEL BRAKE	2188870001
	TENSION SPRING RIGHT WHEEL BRAKE	372805
5	TRANSFORMATION RATIO LEVER LEFT WHEEL BRAKE	21888705
	TRANSFORMATION RATIO LEVER RIGHT WHEEL BRAKE	21888704
6	SET BRAKE JAW	1220326
7	TENSION SPRING	2082000007
8	SPREAD LOCK	21821503
9	CONUS BEARING 30205	700762

Item	Description	Drawing No.
10	BRAKE DRUM 100x4	581719
	BRAKE DRUM 98x4	581898
11	CONUS BEARING 30203	700761
12	SPLINT Ø 4x30 DIN 94	700194
13	CASTELLATED NUT M16x1,5 DIN 937	700754
14	END CAP	2083990002
15	LOCKING WASHER	2182150005
16	WHEEL BOLT CONUS M12x1,5	2081670018
	WHEEL BOLT SPHERIC M12x1,5	2081670020
17	SEALING SHAFT RING AS 30x52x7	700777
18	BEARING BOLT	2187370001
19	COMPRESSION SPRING	2088800003
20	FLAT SPRING	2187370103
21	ADJUSTING BOLT AND	21873708
22	ADJUSTING NUT CPL.	
23	STOPPER	373245
24	COVER PLATE	2382610002
25	BOWL	371387
26	CAP	371389

THE RETAIL SALE OF BRAKE JAWS IS NOT PERMISSIBLE BY EU-DIRECTION FROM 01. OCTOBER 2002!

ATTENTION: POS 7, 19, 24 ODDLY ORDERABLE OR IN SET BRAKE JAW 1220326 CONTAINED!

provided	ETI-No.	changed	Change No.	Reason of the change	Revisions-No.
22.04.97	811222_en	30.09.2010 BB	FREIGABE		A