

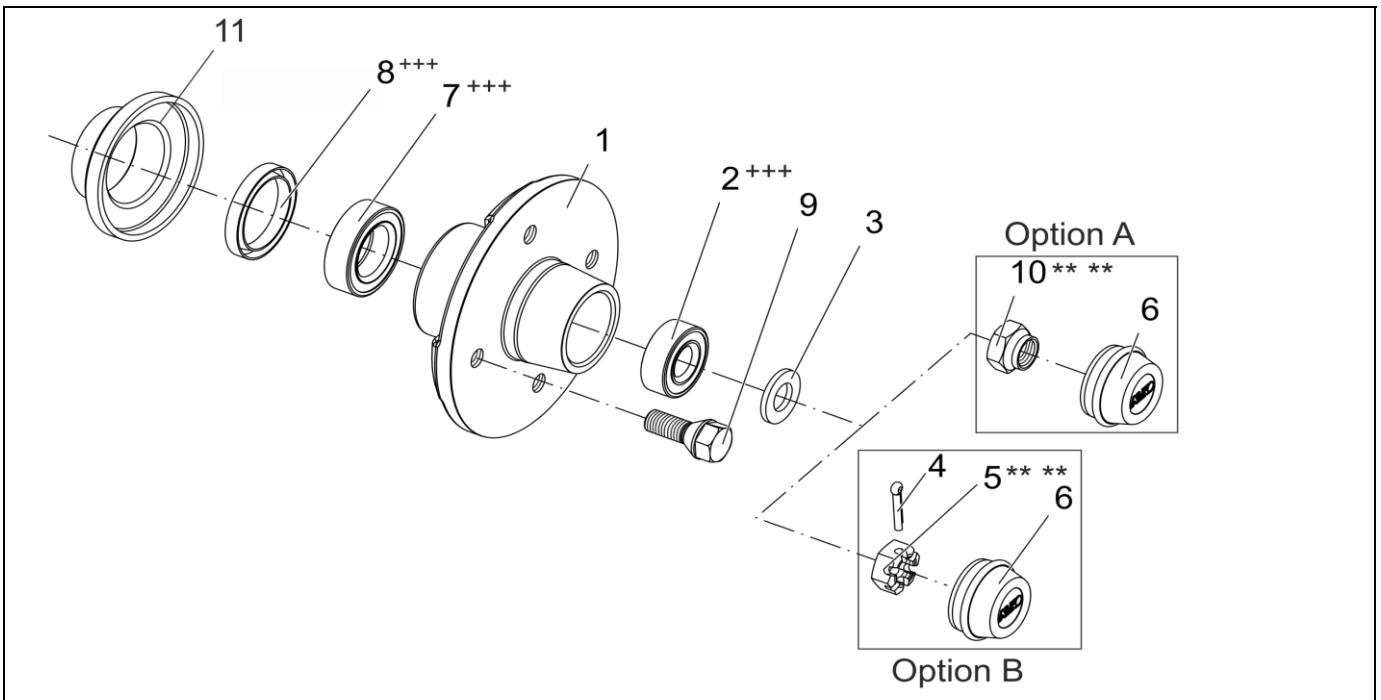
# HUB 425KG WHEEL LOAD

ETI- No. 811441

(Specify the order with the ETI No.)

**AL-KO**

Spare Parts



Item	Description	Part No.
1	HUB 98X4 / M12X1.5 100X4 / M12X1.5 100X5 / M12X1.5 112X5 / M12X1.5 115X4 / M12X1.5 101.6X4 / M12.7X1.27	1311639 564864 607976 564977 604883 1368699
2	BEARING LM11749/710	+++ 701512
3	WASHER DIN125-A17-A3C	700625
4	SPLINT PIN DIN 94 4X20-VZ	700192
5	CASTLE NUT DIN937-M16X1,5	** ** 700754
6	HUB CAP D40	2381250003
7	BEARING LM45449/410	+++ 701513
8	SHAFT SEAL RING 40X52X7 DIN3760-NB	+++ 701511
9	WHEEL BOLT M12X1,5 CONUS M12X1,5 BALL	2081670018 2081670020
10	SELF LOCKING NUT (EXTRA NON STANDART)	** ** 1312008
11	IMPACT PROTECTION	1312431

+++ PLEASE USE MULTI-PURPOSE GREASE ACCORDING TO DIN 51825 KTA 3K FOR GREASING THE BEARING AND RADIAL SEALING

\*\* \*\* FOR SAFETY REASONS: SELF-LOCKING NUT AND SCREW WITH CHEMICAL SELF-LOCKING MUST BE USED ONCE. AFTER UNTIGHTEN ALWAYS USE A NEW SPARE.

provided	ETI-No.	changed	Change No.	Reason of the change	Revisions-No.
27.01.04	811441_en	06.08.2009	FREIGABE		A