

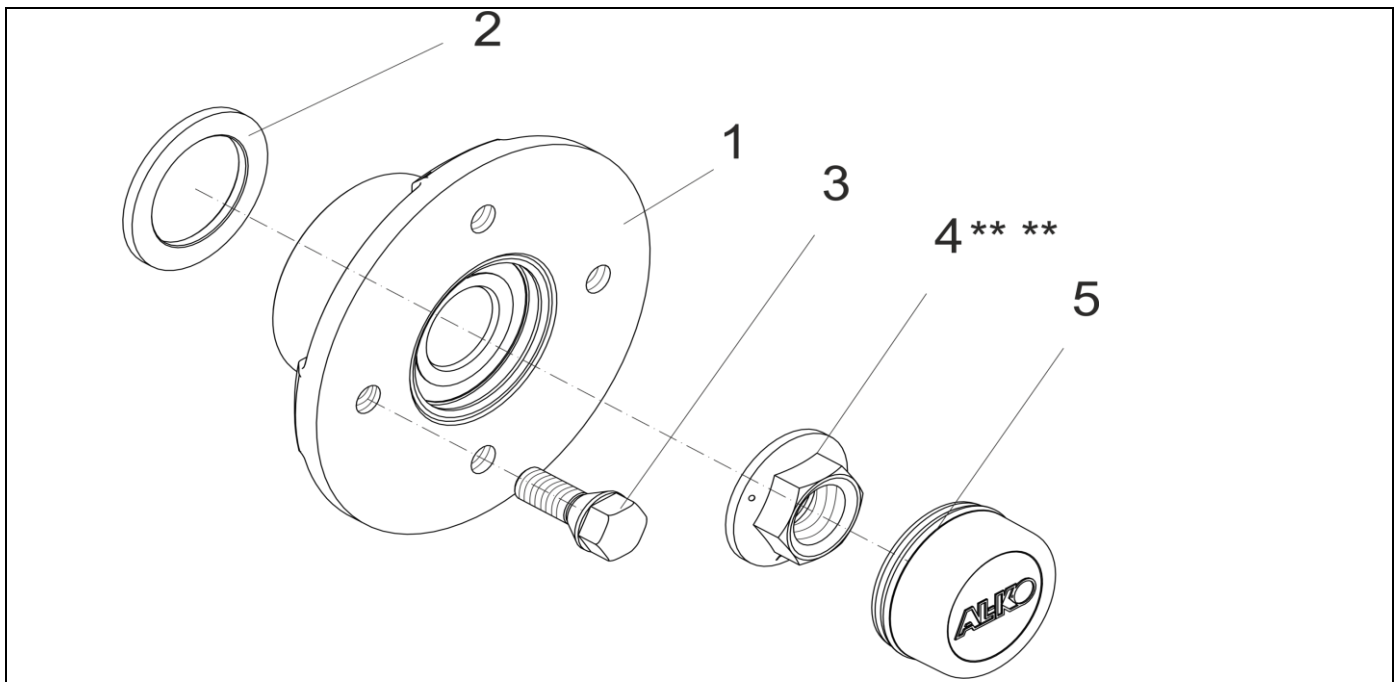
# UNIT HUB 250 kg/375 kg (WHEEL LOAD)

ETI- No. 811265

(Specify the order with the ETI No.)

**AL-KO**

Spare Parts



| Item | Description  | Part No.                      |
|------|--|-------------------------------|
| 1    | HUB COMPLETE WITH BEARINGS                             | Ø100X4 M12X1.5<br>1311585     |
|      |  | Ø98X4 M12X1.25<br>1362970     |
|      | SPARE PARTS SET: 1X BEARING, 1X CIRCLIP, 1X FLANGE NUT | 1224800                       |
| 2    | PA-RING (SCRAPER RING)                                 | 1311584                       |
| 3    | WHEEL BOLT   | CONUS M12X1.5<br>2081670018   |
|      |  | SPHERIC M12x1,5<br>2081670020 |
| 4    | FLANGE NUT M24X1.5                                     | *** **<br>581200              |
| 5    | END CAP Ø57  | 581197                        |

\*\*\* FOR SAFETY REASONS: SELF-LOCKING NUT AND SCREW WITH CHEMICAL SELF-LOCKING MUST BE USED ONCE.  
AFTER UNTIGHTEN ALWAYS USE A NEW SPARE.

| provided | ETI-No.   | changed       | Change No. | Reason of the change | Revisions-No. |
|----------|-----------|---------------|------------|----------------------|---------------|
| 13.04.99 | 811265_en | 11.01.2010    | FREIGABE   |                      | A             |
|          |           | 08.03.2011 HI | 16422      | SEE CHANGE NOTICE    | B             |