

SQUARE OVERRUN DEVICE

with removable drawbar section from 1,500 to 2,600 kg

TECHNOLOGY

Type 251 S - ZE 252R

GA 1,500 to 2,600 kg
 Perm. nose load 100 kg
 Changeover relay lever:
 Yes No

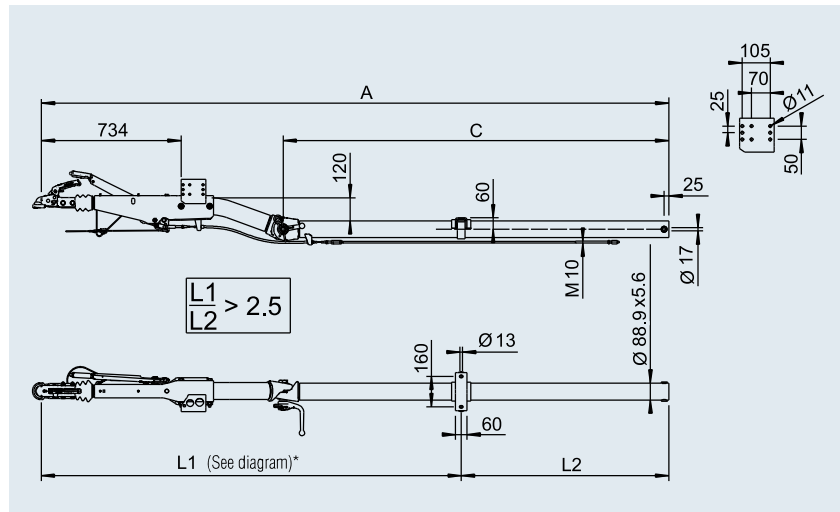
ECE test report no.:

Overrun device 251S: 361-0044-97

ECE type approval no.:

Drawbar installation 251K: E1 55R-01 0268
 Drawbar installation 252R: E1 55R-01 0536

Max. free drawbar length Min. 1,440 mm
 With GA 2,600 kg: Max. 1,480 mm



* Diagram see table of contents



SAP: AE KPL251S VKT M ZUGLEINRICHTUNG 252R

Part no.	Dimension					
	C in mm	A in mm				
200 638 01	820	2,155	74.4	-	20	20
200 638 02	980	2,315	78.4	-	20	20
200 638 03	1,140	2,475	82.4	-	20	20
200 638 04	1,300	2,635	86.4	-	20	20
200 638 05	1,460	2,795	90.4	-	20	20
200 638 06	1,620	2,955	94.4	-	20	20
200 638 07	1,780	3,115	98.4	-	20	20
200 638 08	1,940	3,275	102.4	-	20	20
200 638 09	2,100	3,435	106.4	-	20	20
200 638 10	2,260	3,595	110.4	-	20	20
200 638 11	2,420	3,755	114.4	-	20	20

Part no.	Dimension					
	C in mm	A in mm				
200 639 01	820	2,155	74.4	-	20	20
200 639 02	980	2,315	78.4	-	20	20
200 639 03	1,140	2,475	82.4	-	20	20
200 639 04	1,300	2,635	86.4	-	20	20
200 639 05	1,460	2,795	90.4	-	20	20
200 639 06	1,620	2,955	94.4	-	20	20
200 639 07	1,780	3,115	98.4	-	20	20
200 639 08	1,940	3,275	102.4	-	20	20
200 639 09	2,100	3,435	106.4	-	20	20
200 639 10	2,260	3,595	110.4	-	20	20
200 639 11	2,420	3,755	114.4	-	20	20