

BOLT-ON TANDEM ADAPTER BRACKET

Tandem adapter bracket, bolt-on

Hot-dip galvanised, up to 3,500 kg

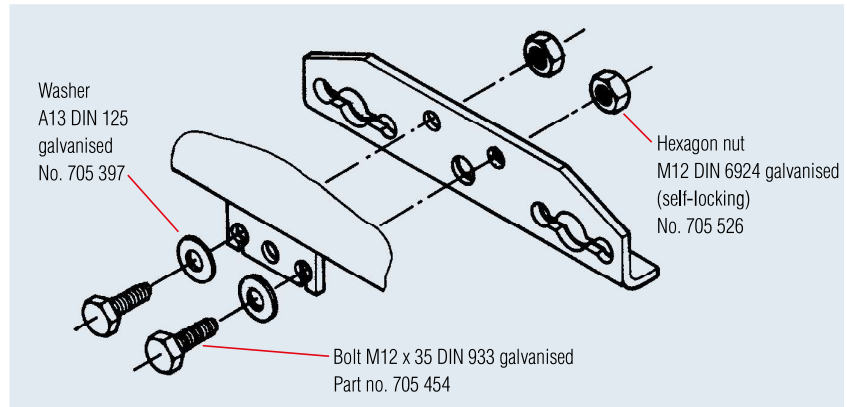
Part no.:

249 236



Important!

Install adapter bracket behind the axle in the driving direction (old adapter bracket in front of the axle)



4

Tandem compensation

Hot-dip galvanised, up to 3,500 kg

Part no.:

238 576

