

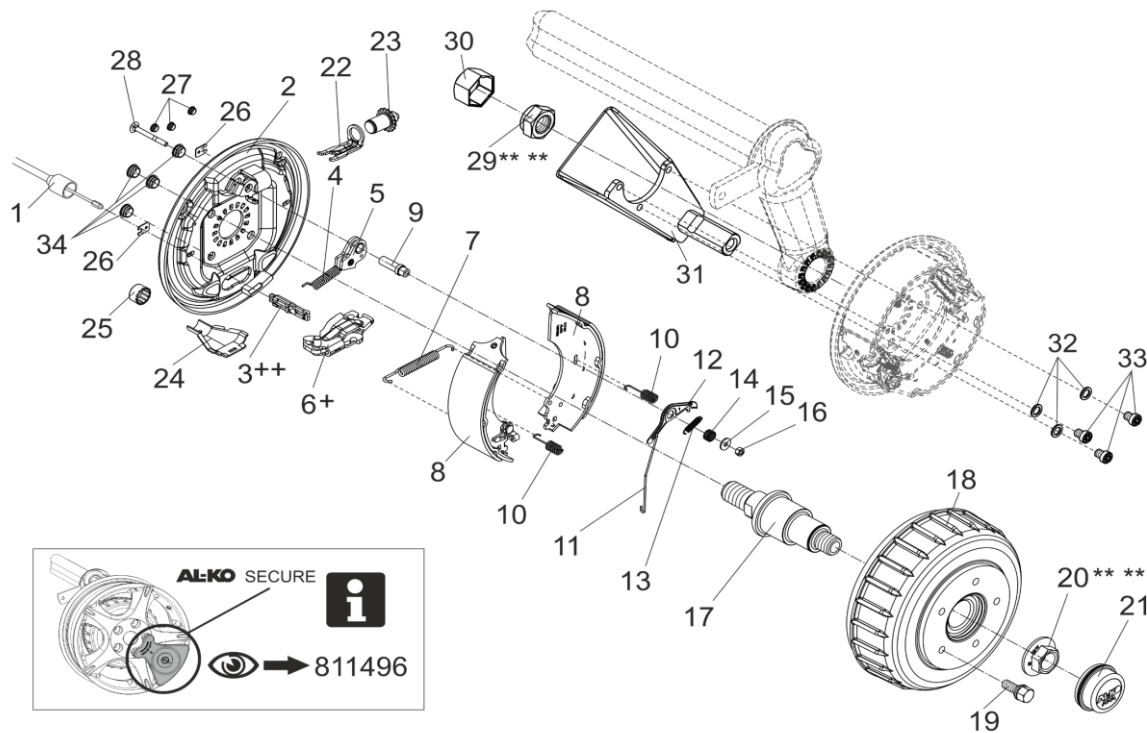
# WHEEL BRAKE EURO1 2361 AAA BEARING Ø42 COMPANY HYMER SECURE

ETI- No. 811827

(Specify the order with the ETI No.)

**AL-KO**

Spare Parts



Item	Description	Part No.	Item	Description	Part No.
1	MOUNTABLE BOWDEN CABLE 350 / 546 LONG 530 / 726 LONG 770 / 966 LONG 890 / 1086 LONG 1020 / 1216 LONG 1130 / 1326 LONG 1320 / 1516 LONG 1430 / 1626 LONG 1620 / 1816 LONG 1790 / 1986 LONG	247281	13	TENSION SPRING 2051/2361 AAA	1651237
		247282	14	CONTACT PRESSURE SPRING 2051/2361 AAA	694449
		247283	15	WASHER DIN 9021-ST-A-A6.4-ZN8DISP	705405
		247284	16	HEX NUT DIN 980-V M6-8-ZN8DISP	706012
		247285	17	STUB AXLE 1300 KG UP TO 1800 KG	582541
		247286	18	BRAKE DRUM COMPLETE WITH BEARINGS Ø112X5 M12X1.5	1656715
		247287	19	WHEEL BOLT SPHERIC M12X1.5 CONUS M12X1.5	2081670020 2081670018
		247288	20	FLANGE NUT M27X2 ***	582506
		247289	21	END CAP Ø65 2361AAA	1653033
		247290	22	BOW PRESSURE	368361
2	BRAKING PLATE LEFT RIGHT	1652570 1652571	23	ADJUSTING SCREW AND THE ADJUSTING NUT LEFT 2051/2361 AAA ADJUSTING SCREW AND THE ADJUSTING NUT RIGHT 2051/2361 AAA	1650416 1650417
3	CONNECTION EYE ++	604262	24	CUP	371387
4	TENSION SPRING	2187370003	25	PROTECTIVE CAP	371389
5	AUTO-REVERSE LEVER LEFT RIGHT	571386 571387	26	COVER PLATE	2382610002
6	SPREAD HINGE LOCK 2051/2361 AAA LEFT + 2051/2361 AAA RIGHT	1650407 1650408	27	STOPPER RED	694430
7	TENSION SPRING	2082000007	28	CARRIAGE BOLT DIN 603-M6X60-ZN8DISP	706316
8	SET BRAKE JAW FOR AXLE INCL (COVER PLATE,TENSION SPRING,PRESSURE SPRING)	1730332	29	HEX NUT M30 (SELF-LOCKING) *** **	703112
9	BEARING BOLT	1650429	30	PROTECTIVE CAP 2361	582542
10	PRESSURE SPRING	2088800003	31	SECURE AL RECEIVER LEFT RB2361-15"	1361596
11	CONNECTION WIRE 2361 AAA	1651293	32	WASHER DIN 433-A13-ZN8DISP	706459
12	ADJUSTING LEVER LEFT 2361 AAA RIGHT 2361 AAA	1651290 1651291	33	CYLINDER HEAD SCREW WITH HEXAGON SOCKET M12X14	705148
			34	STOPPER FOR SECURE BRAKING PLATE	691945

+ THE CENTRE OF ROTATION OF THE BRAKE LEVER MUST BE FIXED ON THE SAME SIDE AS THE BOLT OF THE AUTO-REVERSE.

++ THE OPEN SIDE OF THE CONNECTION EYE FOR THE BOWDEN CABLE MUST SHOW TO THE CENTRE OF ROTATION OF THE BRAKE LEVER.

\*\*\* FOR SAFETY REASONS: SELF-LOCKING NUT AND SCREW WITH CHEMICAL SELF-LOCKING MUST BE USED ONCE.

THE RETAIL OF INDIVIDUAL BRAKE SHOES IS NOT PERMITTED BY EU DIRECTIVE FROM 1st OF OCTOBER 2002.

ATTENTION: THE SET INCLUDES FOUR BRAKE SHOES AND THE APPENDANT TENSION SPRINGS, PRESSURE SPRINGS AND COVER PLATES.

provided	ETI-No.	changed	Change No.	Reason of the change	Revisions-No.
24.03.16 ÖJ	811827_en		FREIGABE		A