

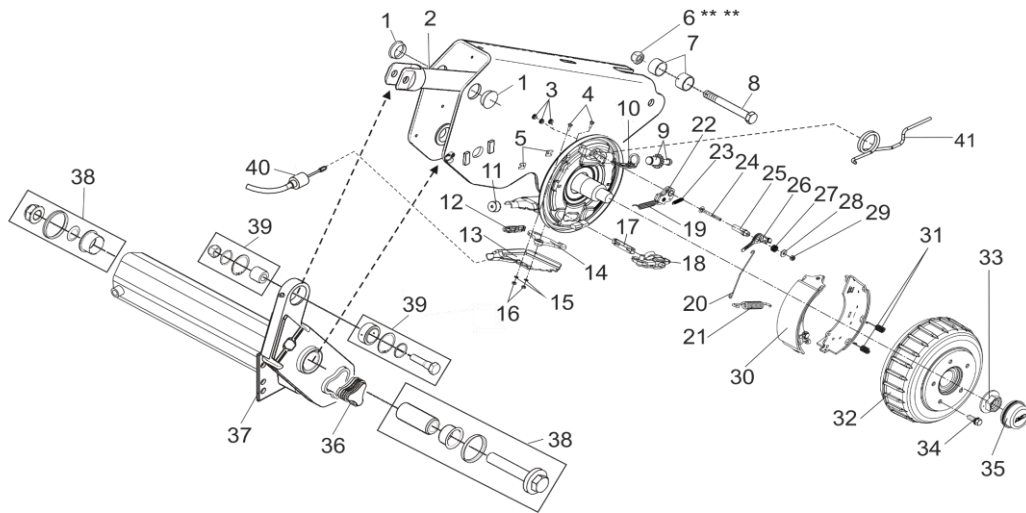
AXLE LOWERABLE 2361AAA 1800KG WITHOUT HYDRAULIK DIVERSION 90°

ETI- Nr. 811813

(Specify the order with the ETI No.)

AL-KO

Spare Parts



Item	Description	Part-No.
1	STOPPER	583615
2	HYDRAULIC CYLINDER ET-SET: SEAL KIT FOR CYLINDER	645541 1655808
3	STOPPER RED	694430
4	HEX BOLT DIN 933-M5X12-8.8-ZN8DISP	706240
5	COVER PLATE	2382610002
6	HEX NUT DIN 985-M16-10-ZN8DISP	*** 706013
7	DISTANCE BUSH	583599
8	HEX BOLT DIN 931-M16x130-10.9-ZN8DISP	706341
9	ADJUSTING SCREW AND THE ADJUSTING NUT LEFT 2051/2361 AAA	1650416
10	BOW PRESSURE	368361
11	PROTECTIVE CAP	371389
12	CONNECTION EYE	604262
13	CUP COMPLETE	RIGHT 2361 692368 LEFT 2361 692367
14	BELL CRANK	692415
15	SPRING RING DIN 127-B 5-ZN8DISP	706443
16	HEX NUT DIN 934-M5-8-ZN8DISP	705482
17	CONNECTION EYE (NON-STANDARD)	++ 1361692
18	SPREAD HINGE LOCK 2051/2361 AAA	+ LEFT 1650407 RIGHT 1650408
19	TENSION SPRING	2187370003
20	CONNECTION WIRE 2361 AAA	1651293
21	TENSION SPRING AAA	1652174
22	AUTO-REVERSE LEVER	LEFT 571386
23	TENSION SPRING 2051/2361 AAA	1651237
24	CARRIAGE BOLT DIN 603-M6X60-ZN8DISP	706316
25	BEARING BOLT 2051/2361 AAA	1650429

Item	Description	Part-No.
26	ADJUSTING LEVER	LEFT 2361 AAA 1651290 RIGHT 2361 AAA 1651291
27	CONTACT PRESSURE SPRING	694449
28	WASHER DIN 9021-ST-A-A6.4-ZN8DISP	705405
29	HEX NUT DIN 980-V M6-8-ZN8DISP	706012
30	SET BRAKE JAW FOR AXLE INCL (COVER PLATE, TENSION SPRING, PRESSURE SPRING)	1730332
31	PRESSURE SPRING	2088800003
32	BRAKE DRUM COMPLETE WITH BEARINGS Ø112X5 M12x1.5	573194
	SPARE PARTS SET: 1X BEARING, 1X CIRCLIP, 1X FLANGE NUT	1224805
33	FLANGE NUT M27X2-ZN8DISP	582506
34	WHEEL BOLT	SPHERIC M12x1,5 2081670020
35	END CAP Ø65	2361AAA 1653033
36	END CAP	375901
37	SWING ARM LEFT KOMLETE MOUNTED / CONTAINS ET-SET POS 38/39	1310074
	SWING ARM RIGHT KOMLETE MOUNTED / CONTAINS ET-SET POS 38/39	1310075
38	SPARE PARTS SET	245096
39	SPARE PARTS SET	245097
40	MOUNTABLE BOWDEN CABLE	890/1086 LONG 247284 1020/1216 LONG 247285 1130/1326 LONG 247286 1320/1516 LONG 247287 1430/1626 LONG 247288 1620/1816 LONG 247289 1790/1986 LONG 247290 2700/2896 LONG 1231584 2800/2996 LONG 1231585
41	TORSION SPRING	LEFT AAA 1806463 RIGHT AAA 1807220

+ THE CENTRE OF ROTATION OF THE BRAKE LEVER MUST BE FIXED ON THE SAME SIDE AS THE BOLT OF THE AUTO-REVERSE.

++ THE OPEN SIDE OF THE CONNECTION EYE FOR THE BOWDEN CABLE MUST SHOW TO THE CENTRE OF ROTATION OF THE BRAKE LEVER.

*** FOR SAFETY REASONS: SELF-LOCKING NUT AND SCREW WITH CHEMICAL SELF-LOCKING MUST BE USED ONCE.
AFTER UNTIGHTEN ALWAYS USE A NEW SPARE.

THE RETAIL OF INDIVIDUAL BRAKE SHOES IS NOT PERMITTED BY EU DIRECTIVE FROM 1st OF OCTOBER 2002.

ATTENTION: THE SET INCLUDES FOUR BRAKE SHOES AND THE APPENDANT TENSION SPRINGS, PRESSURE SPRINGS AND COVER PLATES.

provided	ETI-No.	changed	Change-No.	Reason of the change	Revisions-No.
18.04.16Ö	811813_en		FREIGABE		A
		30.10.18ÖJ	30642	TORSION SPRING (1806463,1807220) NEW ADDED	B
					C